

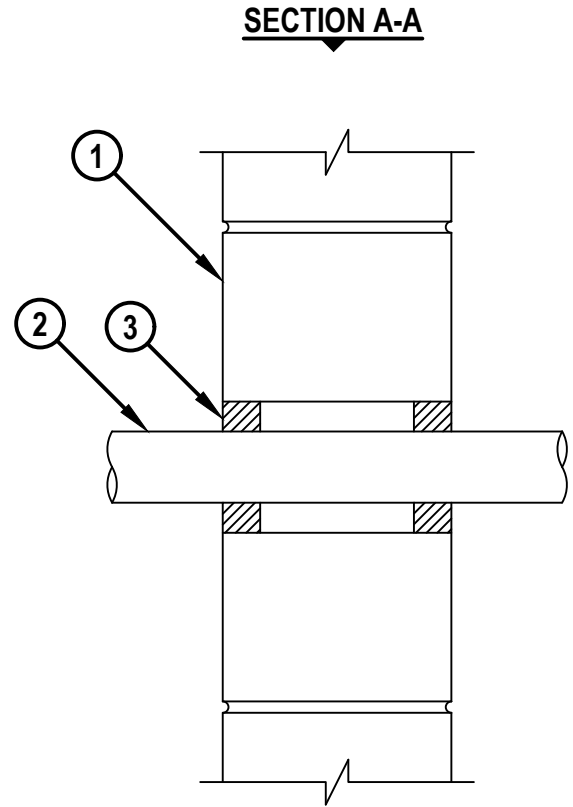
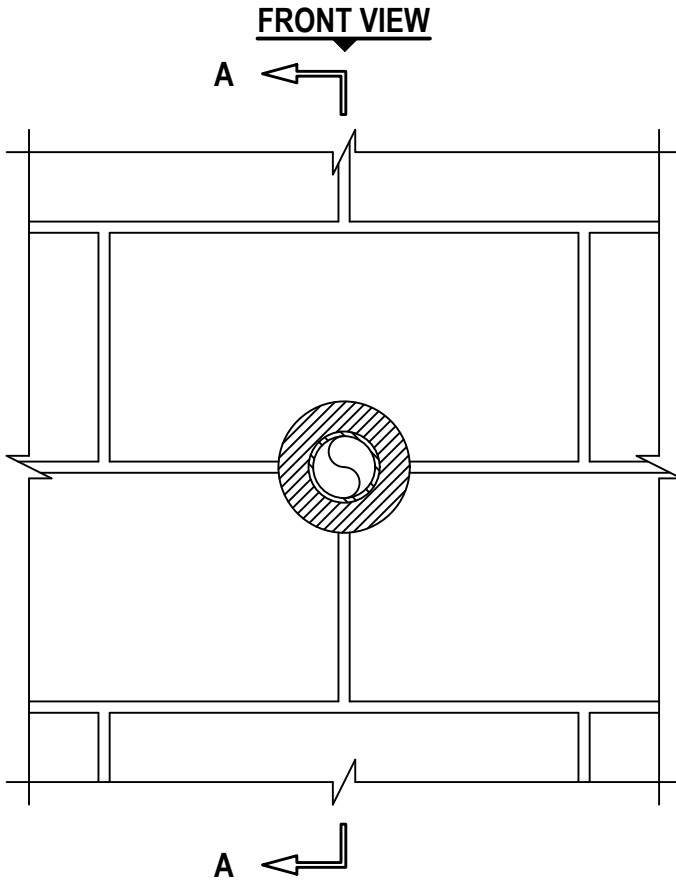
UL SYSTEM NO. W-J-2019

PLASTIC PIPE THROUGH CONCRETE WALL OR BLOCK WALL ASSEMBLY

F-RATING = 1-HR. OR 2-HR.

T-RATING = 1-HR. OR 2-HR.

WJ2019e.030915



1. CONCRETE WALL ASSEMBLY (1-HR. OR 2-HR. FIRE-RATING) (2-HR. SHOWN) :
 - A. LIGHTWEIGHT OR NORMAL WEIGHT CONCRETE WALL (MINIMUM 4-1/2" THICK).
 - B. ANY UL CLASSIFIED CONCRETE BLOCK WALL.
2. PENETRATING ITEM TO BE ONE OF THE FOLLOWING :
 - A. MAXIMUM 2" NOMINAL DIAMETER PVC PLASTIC PIPE (SCHEDULE 40) (SOLID CORE) (CLOSED PIPING SYSTEM).
 - B. MAXIMUM 2" NOMINAL DIAMETER CPVC PLASTIC PIPE (SDR 17) (CLOSED PIPING SYSTEM).
3. HILTI FS-ONE MAX OR FS-ONE INTUMESCENT FIRESTOP SEALANT :
 - A. MINIMUM 5/8" DEPTH OF SEALANT FOR A 1-HR. FIRE-RATING.
 - B. MINIMUM 1-1/4" DEPTH OF SEALANT FOR A 2-HR. FIRE-RATING.

NOTES : 1. MAXIMUM DIAMETER OF OPENING = 4-3/8".
2. ANNULAR SPACE = MINIMUM 3/4", MAXIMUM 1-1/4".



HILTI, Inc.
Tulsa, Oklahoma USA (800) 879-8000

Sheet	1 of 1
Scale	5/32" = 1"
Date	Mar. 09, 2015

Drawing No.
WJ
2019e