

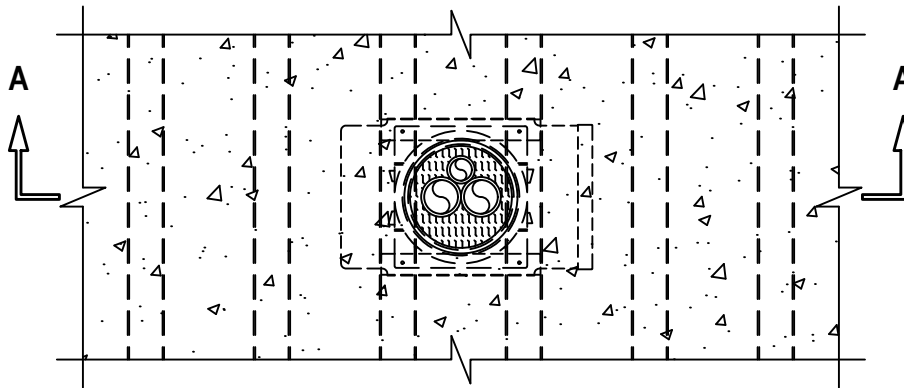
UL SYSTEM NO. F-A-2315

**PLASTIC PIPE THROUGH CONCRETE FLOOR OVER METAL DECKING ASSEMBLY**

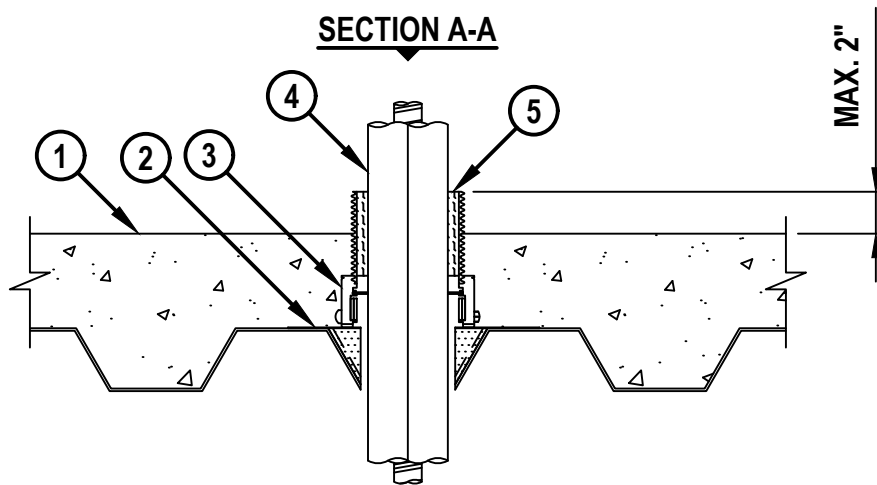
F-RATING = 2-HR.

T-RATING = 0-HR.

**TOP VIEW**



**SECTION A-A**



1. LIGHTWEIGHT OR NORMAL WEIGHT CONCRETE FLOOR ASSEMBLY (MINIMUM 4-1/2" THICK) OVER METAL DECKING (UL CLASSIFIED D900 SERIES) WITH 2" OR 3" FLUTED DECKS (2-HR. FIRE-RATING).
2. HILTI CFS-CID MD PLT [W2" OR W3"] METAL DECK PLATFORM SECURED TO DECK WITH ONE FASTENER IN EACH CORNER.
3. HILTI CFS-CID MD P [2", 3", OR 4"]/[2.5"/4"] FIRESTOP CAST-IN DEVICE FOR METAL DECK SECURED TO HILTI CFS-CID MD PLT METAL DECK PLATFORM WITH SCREWS.
4. NONMETALLIC PIPE OR CONDUIT BUNDLE TO CONSIST OF ANY OF THE FOLLOWING (MAX. QTY. = 3) :
  - A. MAXIMUM 2" NOMINAL DIAMETER PVC PLASTIC PIPE (SCHEDULE 40) (CELLULAR AND SOLID CORE) (CLOSED OR VENTED PIPING SYSTEM).
  - B. MAXIMUM 2" NOMINAL DIAMETER CPVC PLASTIC PIPE (SDR 13.5) (CLOSED PIPING SYSTEM ONLY).
  - C. MAXIMUM 1" NOMINAL DIAMETER ELECTRICAL NONMETALLIC TUBING (ENT).
5. MINIMUM 4" THICKNESS MINERAL WOOL (MIN. 4 PCF DENSITY) TIGHTLY PACKED INTO DEVICE, COMPLETELY FILLING ANNULAR SPACE AROUND NONMETALLIC PIPES OR CONDUITS.



**Hilti Firestop Systems**

HILTI, Inc.  
Plano, Texas USA (800) 879-8000

Sheet 1 of 1

Scale 7/64" = 1"

Date June 27, 2019

Drawing No.

**FA  
2315b**

*Saving Lives through Innovation and Education*

FA2315b.062719