

UL/cUL SYSTEM NO. F-A-5071

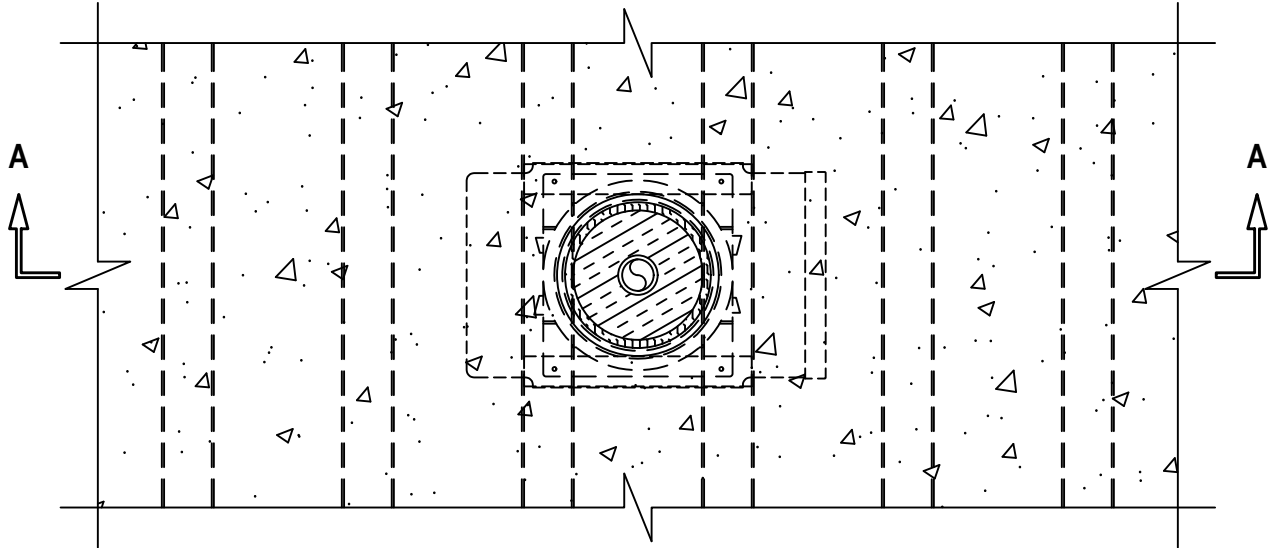
# INSULATED METAL PIPE THROUGH CONCRETE FLOOR OVER METAL DECKING ASSEMBLY

F-RATING = 2-HR.

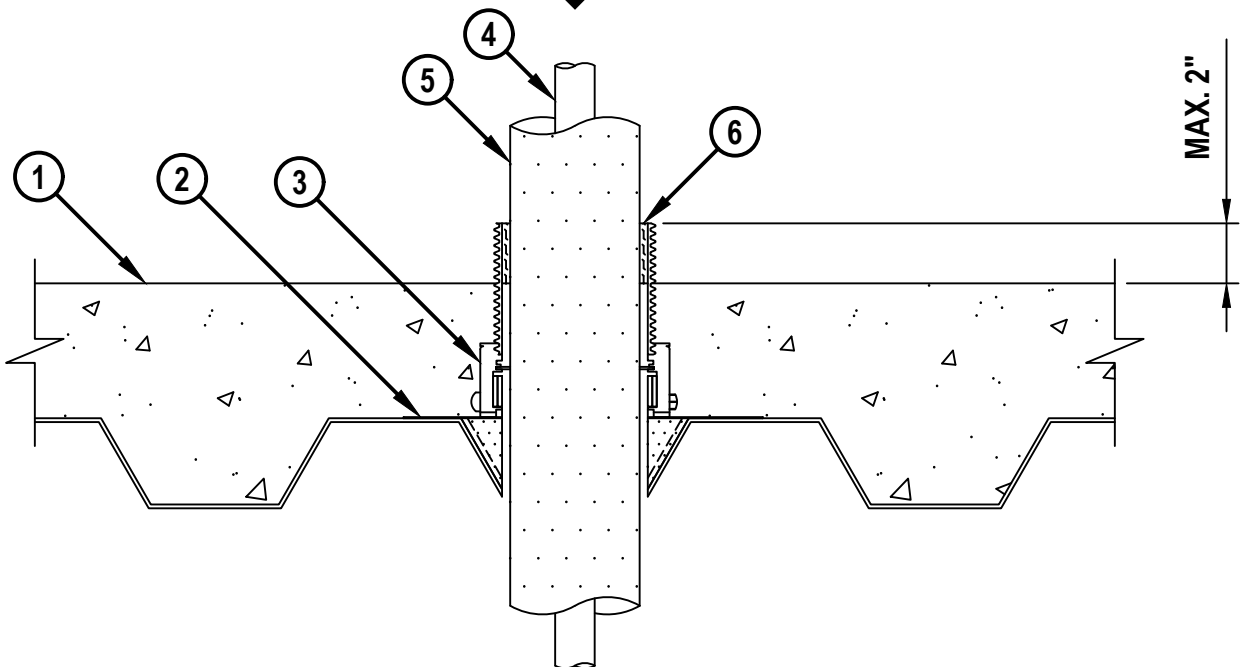
T-RATING = 2-HR.

FA5071d.121322

**TOP VIEW**



**SECTION A-A**



HILTI, Inc.  
Plano, Texas USA (800) 879-8000

Sheet	1 of 2
Scale	5/32" = 1"
Date	Dec. 13, 2022

Drawing No.

**FA  
5071d**

*Saving Lives through Innovation and Education*

**INSULATED METAL PIPE THROUGH CONCRETE FLOOR OVER METAL DECKING ASSEMBLY**

F-RATING = 2-HR.  
T-RATING = 2-HR.

FA5071d.121322

1. LIGHTWEIGHT OR NORMAL WEIGHT CONCRETE FLOOR (MINIMUM 4-1/2" THICK) OVER METAL DECKING ASSEMBLY (UL/cUL CLASSIFIED D900 SERIES) WITH 2" OR 3" FLUTED DECKS (2-HR. FIRE-RATING).
2. HILTI CFS-CID MD PLT [W2" OR W3"] METAL DECK PLATFORM SECURED TO DECK WITH ONE FASTENER IN EACH CORNER.
3. HILTI CFS-CID MD [P OR PX] 4"/[2.5" OR 4"] FIRESTOP CAST-IN DEVICE FOR METAL DECK SECURED TO HILTI CFS-CID MD PLT METAL DECK PLATFORM WITH SCREWS.
4. PENETRATING ITEM TO BE ONE OF THE FOLLOWING :
  - A. MAXIMUM 1" NOMINAL DIAMETER STEEL PIPE (SCHEDULE 10 OR HEAVIER).
  - B. MAXIMUM 1" NOMINAL DIAMETER COPPER PIPE OR TUBING.
5. NOMINAL 1-1/2" THICK CELLULAR GLASS (FOAMGLASS) PIPE INSULATION WITH FOIL-SCRIM-KRAFT OR ALL SERVICE JACKET INSTALLED AS SHEATHING MATERIAL.
6. WHERE REQUIRED IN TABLE BELOW, INSTALL MINIMUM 2" THICKNESS MINERAL WOOL (MIN. 4 PCF DENSITY) TIGHTLY PACKED, FLUSH WITH TOP OF DEVICE.

NOMINAL PIPE DIAMETER	FOAMGLASS THICKNESS	PRODUCT DESCRIPTION	PACKING MATERIAL (ITEM 6)
1/2"	1-1/2"	CFS-CID MD [P OR PX] 4"	YES
1"	1-1/2"	CFS-CID MD [P OR PX] 4"	NO



HILTI, Inc.  
Plano, Texas USA (800) 879-8000

Sheet	2 of 2
Scale	-
Date	Dec. 13, 2022

Drawing No.  
**FA 5071d**