

4.0 MQ SUPPORT SYSTEM

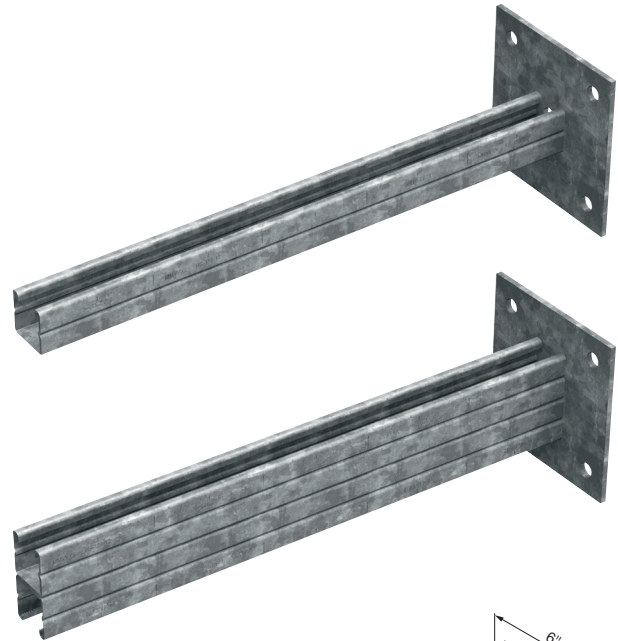
4-HOLE MQK BRACKETS

Product Features

- C-profile with serrated edges — for higher pull-out and shear capacity
- Pre-marked dimensions — for quicker installation, assembly and measurement
- 4 anchor bolts provides increased capacity and improved stability
- Single channel is slotted
- Back-to-Back channel is solid
- Stand-alone use on ceilings, walls and floors or in conjunction with strut channel systems
- Installing cable trays, air ducts and pipe supports

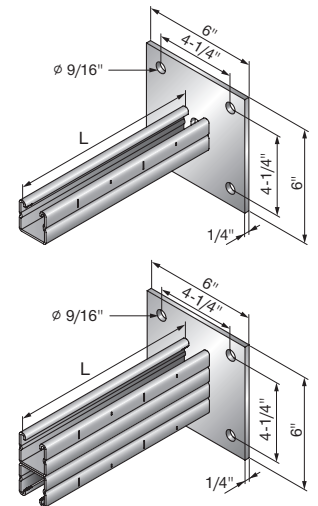
Material Specifications

Materials	Hot-Dip Galvanized Carbon Steel according to ASTM A123 (HDG)
------------------	--



Ordering Information

Description	Finish	L (inches)	Strut Profile	Strut Section (gauge)	Box Qty	Item No.
MQK-158/4-F-24 1	HDG	24.0	1-5/8"	12	1	2248531
MQK-158/4-F-36 1	HDG	36.0	1-5/8"	12	1	2248530
MQK-158/4-F-48	HDG	48.0	1-5/8"	12	1	2248532
MQK-158/4-D-F-24	HDG	24.0	1-5/8" B2B	12	1	2248533
MQK-158/4-D-F-36	HDG	36.0	1-5/8" B2B	12	1	2248534
MQK-158/4-D-F-48	HDG	48.0	1-5/8" B2B	12	1	2248535



4.0 MQ SUPPORT SYSTEM

Technical Data

Loading in Local Y Direction													
				Case 1		Case 2		Case 3		Case 4		Case 5	
				w		F1		F1		F2		F3	
Type base	Item	Item Number	Length (in)	lb/ft	N/m	lb	N	lb	N	lb	N	lb	N
4 Hole	MQK-158/4-F-24	2248531	24.0	168	2447	334	1469	196	746	168	737	112	492
4 Hole	MQK-158/4-F-36	2248530	36.0	75	1095	223	983	86	379	113	495	75	330
4 Hole	MQK-158/4-F-48	2248532	48.0	31	456	150	660	47	206	70	309	45	200
4 Hole	MQK-158/4-D-F-24	2248533	24.0	609	8886	1215	5345	619	2725	609	2678	406	1785
4 Hole	MQK-158/4-D-F-36	2248534	36.0	246	3595	735	3236	375	1650	369	1625	246	1083
4 Hole	MQK-158/4-D-F-48	2248535	48.0	125	1828	497	2188	256	1128	250	1102	167	734

Notes:

- Load Values are based on the lesser of allowable strength or 2L/240 deflection
- Only valid for strut open upwards or downwards
- Allowable strength was determined as per AISI S100-16/A1-18 for steel shapes

Loading in Local X Direction													
				Case 1		Case 2		Case 3		Case 4		Case 5	
				w		F1		F1		F2		F3	
Type base	Item	Item Number	Length (in)	lb/ft	N/m	lb	N	lb	N	lb	N	lb	N
4 Hole	MQK-158/4-F-24	2248531	24.0	104	1511	207	910	116	511	104	455	69	304
4 Hole	MQK-158/4-F-36	2248530	36.0	59	860	176	775	86	380	88	389	59	259
4 Hole	MQK-158/4-F-48	2248532	48.0	36	526	143	629	71	311	72	317	48	211
4 Hole	MQK-158/4-D-F-24	2248533	24.0	493	7204	984	4331	338	1489	493	2171	329	1447
4 Hole	MQK-158/4-D-F-36	2248534	36.0	221	3225	660	2902	244	1074	331	1458	221	972
4 Hole	MQK-158/4-D-F-48	2248535	48.0	95	1386	456	2005	142	626	214	940	138	607

Notes:

- Load Values are based on the lesser of allowable strength or L/120 deflection
- Only valid for strut open upwards or downwards
- Allowable strength was determined as per AISI S100-16/A1-18 for steel shapes