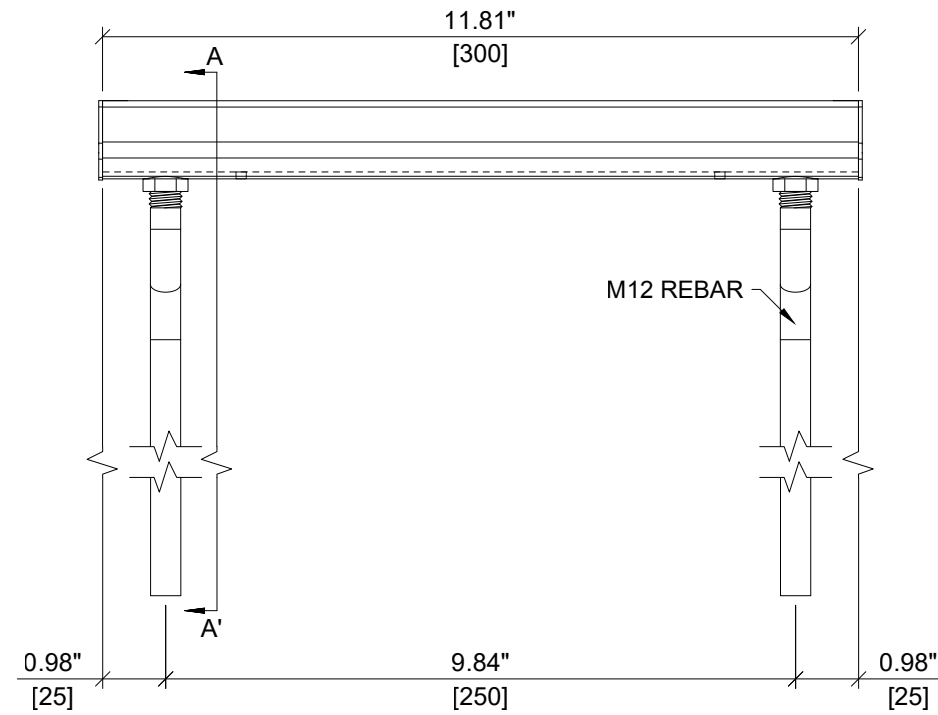
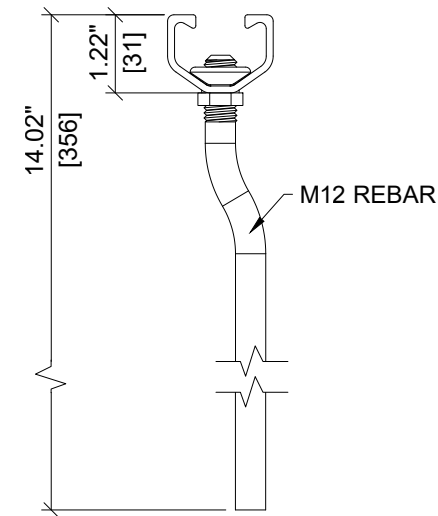


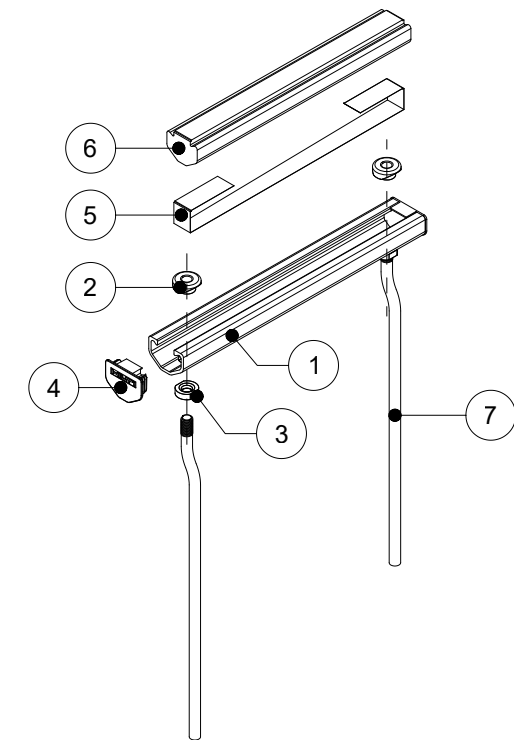
ITEM	DESCRIPTION	QUANTITY
1	CHANNEL PROFILE	1
2	RIVET CONNECTION	2
3	BACK NUT	2
4	END CAP	2
5	TEAR OUT BAND	1
6	FILLER FOAM	1
7	M12 REBAR	2



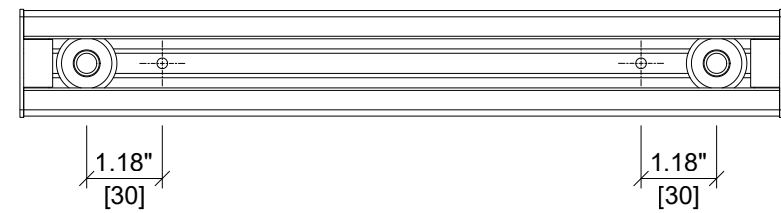
ELEVATION VIEW



SECTION A-A'



ISOMETRIC VIEW

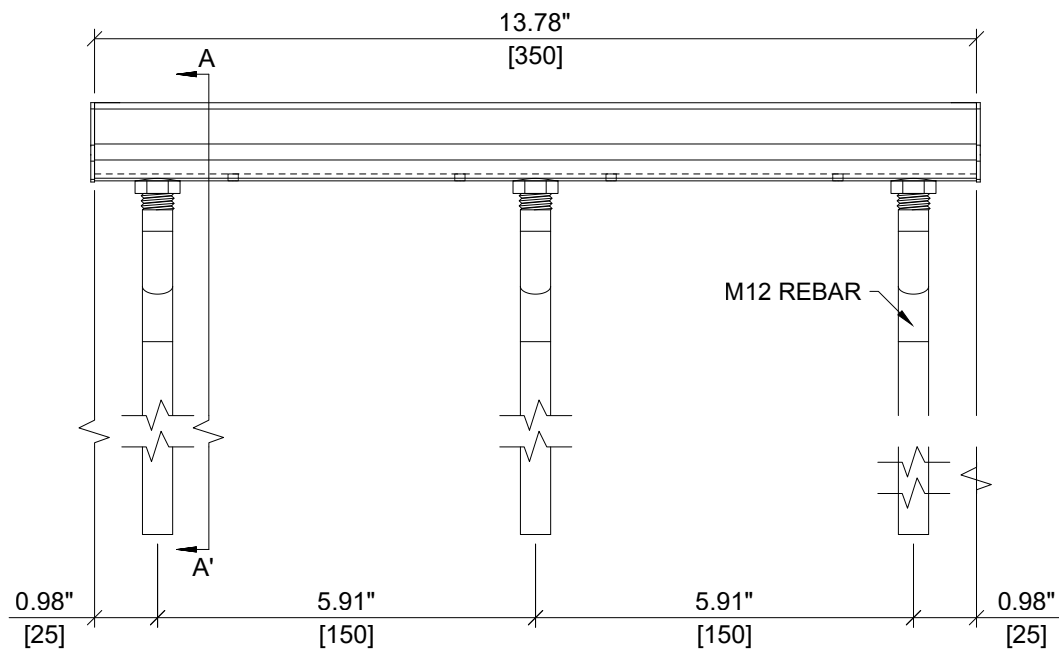


PLAN VIEW

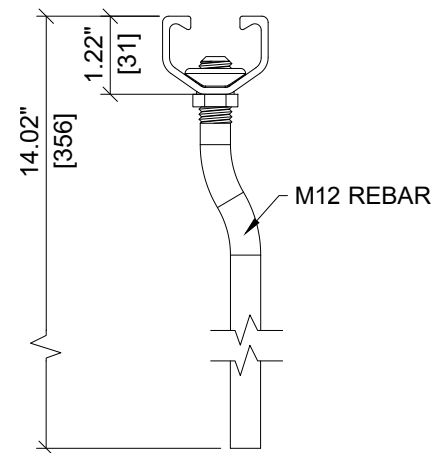
HILTI

ITEM NUMBER: <div style="font-size: 18px; font-weight: bold;">2157397</div>	CHANNEL LIP: <div style="font-size: 18px; font-weight: bold;">SMOOTH</div>
ITEM DESCRIPTION: <div style="font-size: 16px; font-weight: bold; text-align: center;">HAC-50 356/300 F CRFoS U</div>	

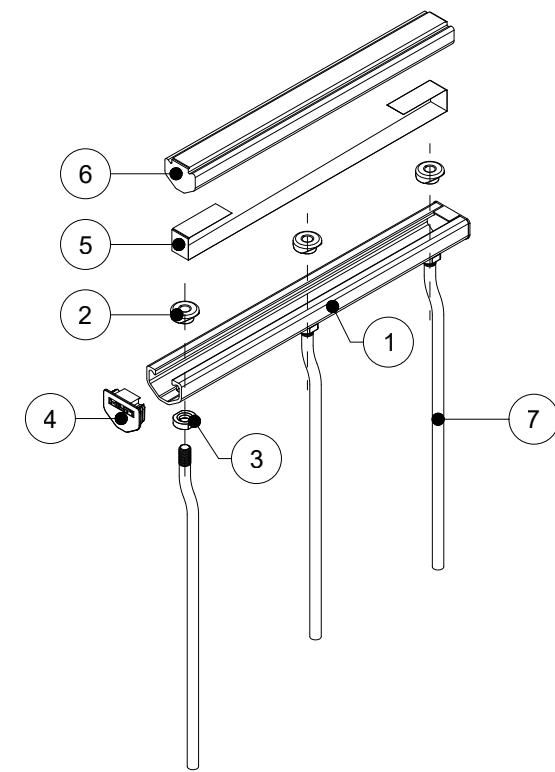




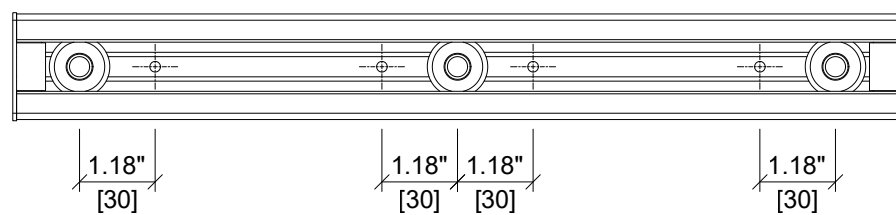
ELEVATION VIEW



SECTION A-A'



ISOMETRIC VIEW



PLAN VIEW

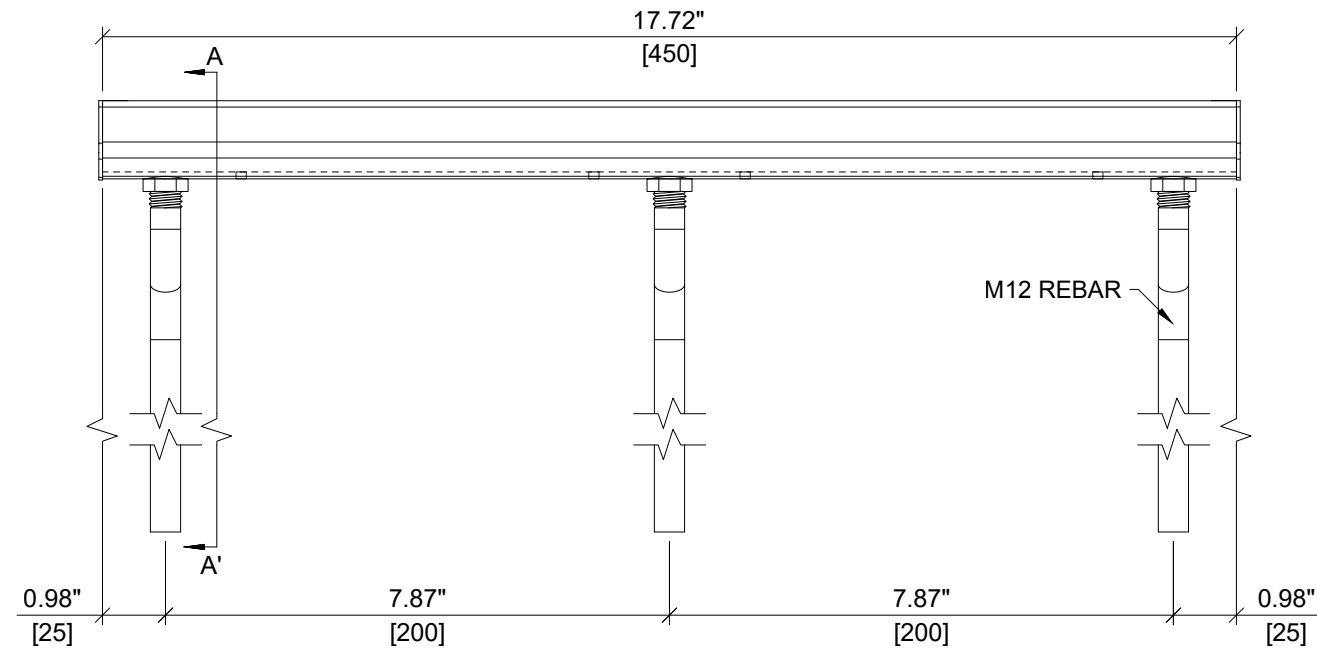
ITEM	DESCRIPTION	QUANTITY
1	CHANNEL PROFILE	1
2	RIVET CONNECTION	3
3	BACK NUT	3
4	END CAP	2
5	TEAR OUT BAND	1
6	FILLER FOAM	1
7	M12 REBAR	3



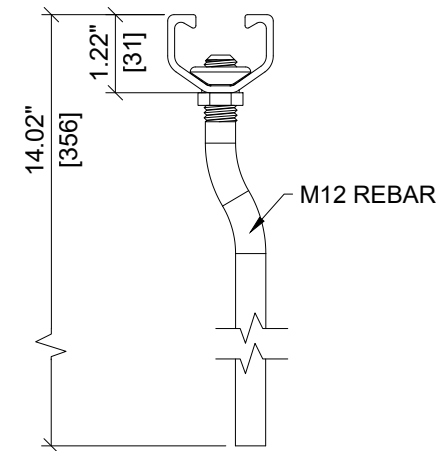
ITEM NUMBER: 2157398	CHANNEL LIP: SMOOTH
ITEM DESCRIPTION: HAC-50 356/350 F CRFoS U	



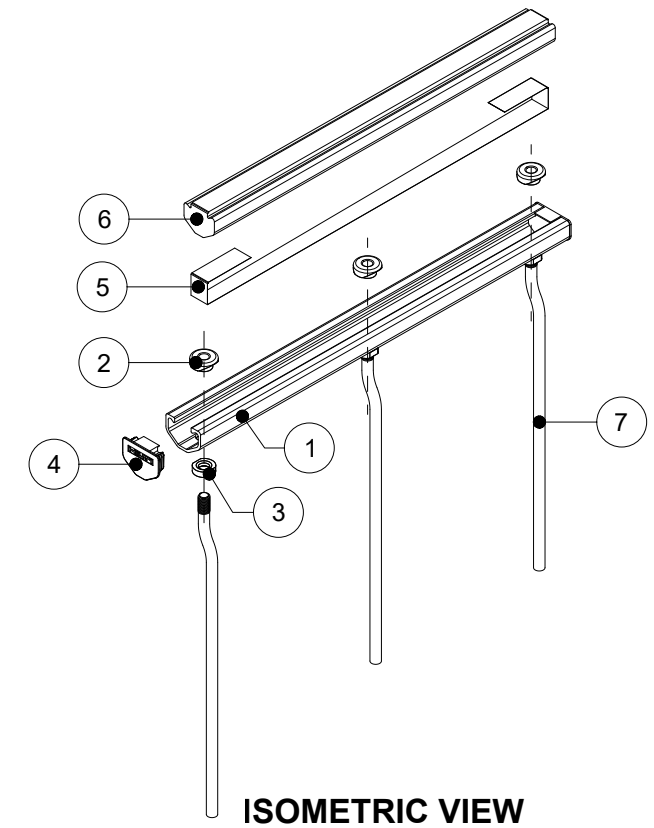
ITEM	DESCRIPTION	QUANTITY
1	CHANNEL PROFILE	1
2	RIVET CONNECTION	3
3	BACK NUT	3
4	END CAP	2
5	TEAR OUT BAND	1
6	FILLER FOAM	1
7	M12 REBAR	3



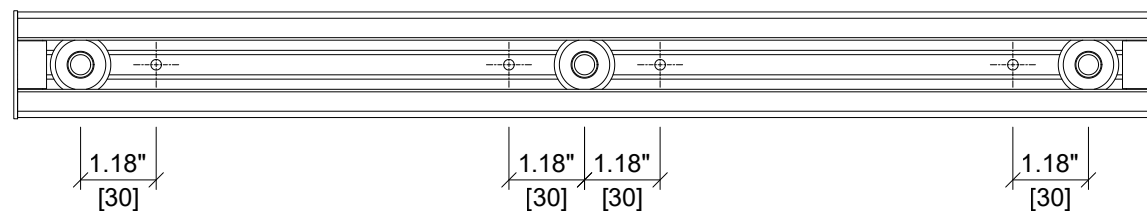
ELEVATION VIEW



SECTION A-A'



ISOMETRIC VIEW



PLAN VIEW

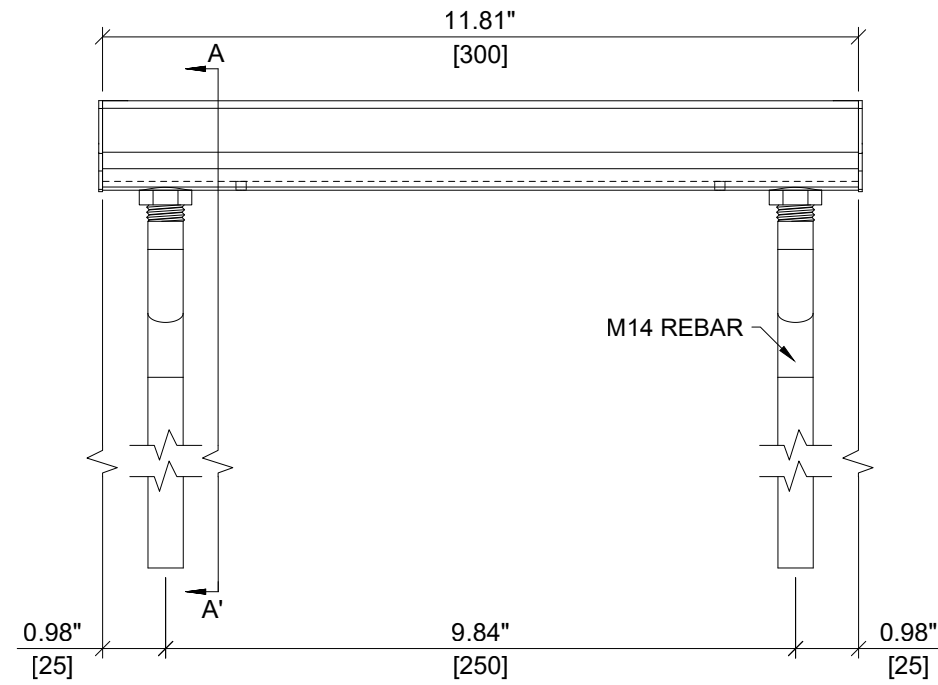


ITEM NUMBER: 2157399	CHANNEL LIP: SMOOTH
--------------------------------	-------------------------------

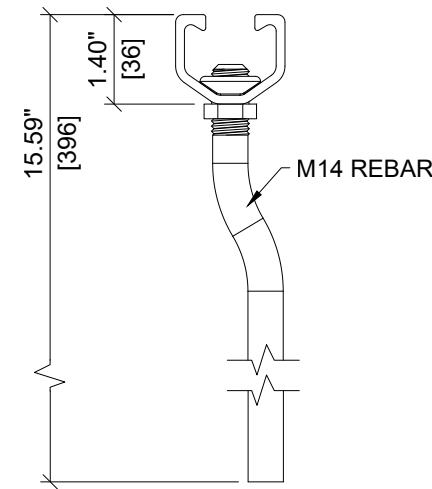
ITEM DESCRIPTION:
HAC-50 356/450 F CRFoS U



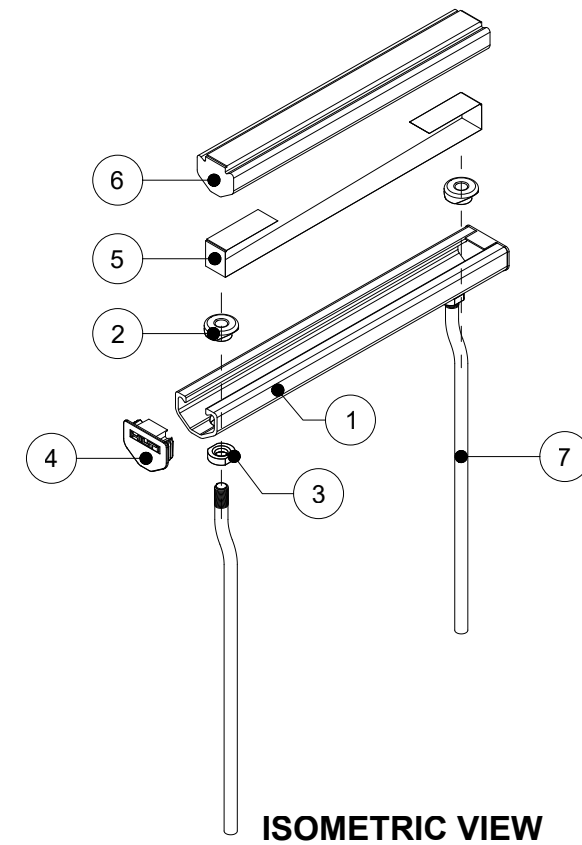
ITEM	DESCRIPTION	QUANTITY
1	CHANNEL PROFILE	1
2	RIVET CONNECTION	2
3	BACK NUT	2
4	END CAP	2
5	TEAR OUT BAND	1
6	FILLER FOAM	1
7	M14 REBAR	2



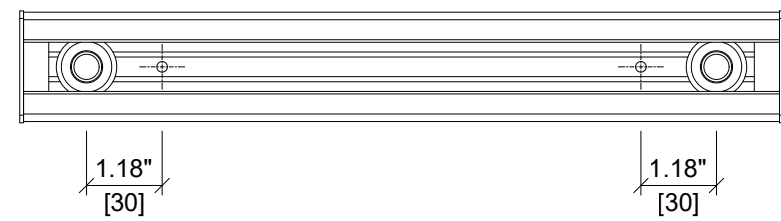
ELEVATION VIEW



SECTION A-A'



ISOMETRIC VIEW

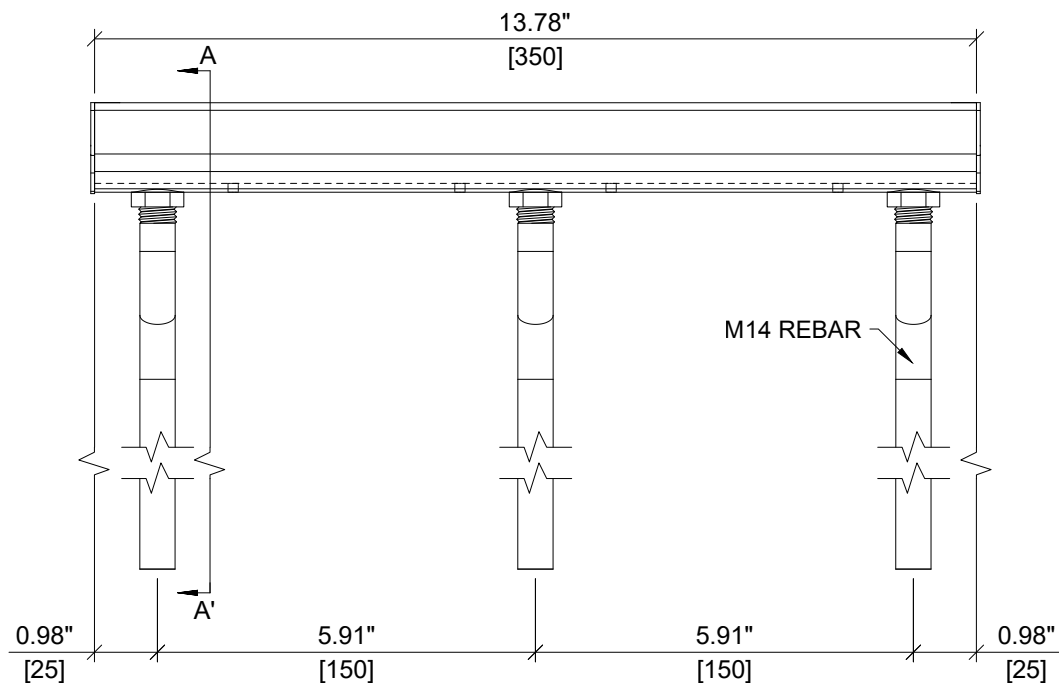


PLAN VIEW

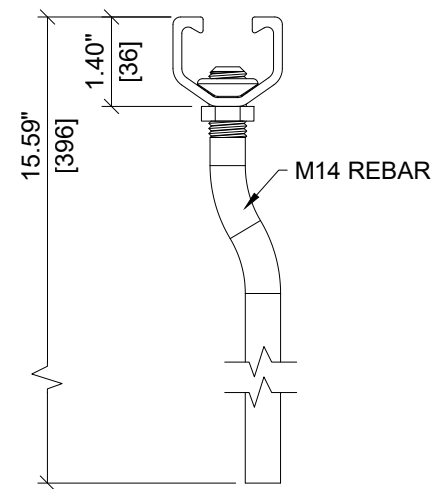
HILTI

ITEM NUMBER: <div style="font-size: 18px; font-weight: bold;">2157540</div>	CHANNEL LIP: <div style="font-size: 18px; font-weight: bold;">SMOOTH</div> <div style="text-align: right; margin-top: 5px;"> </div>
ITEM DESCRIPTION: <div style="font-size: 16px; font-weight: bold; text-align: center;">HAC-60 396/300 F CRFoS U</div>	

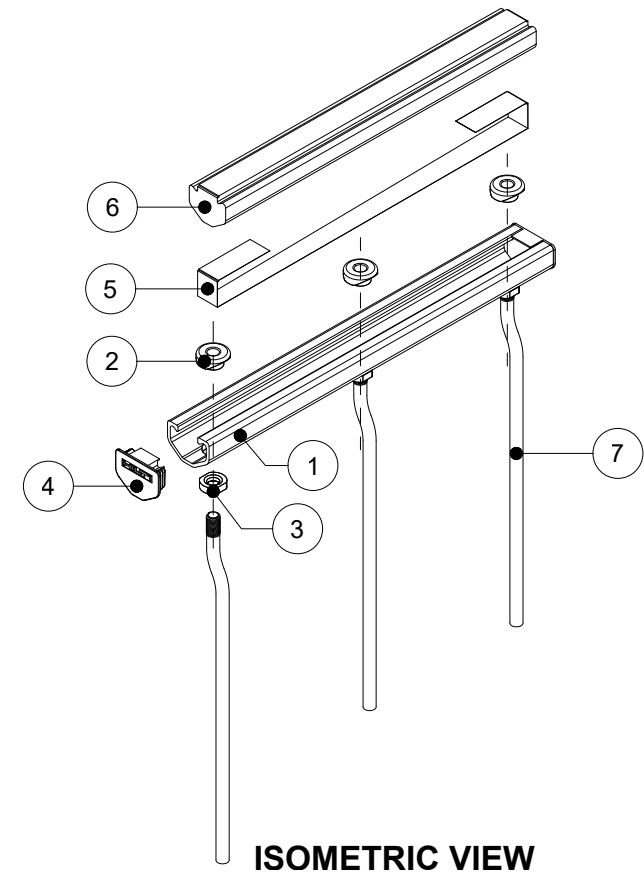




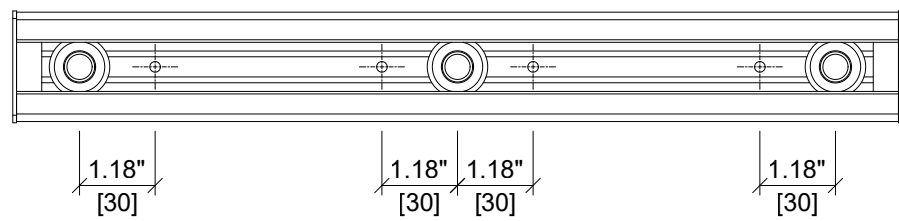
ELEVATION VIEW



SECTION A-A'



ISOMETRIC VIEW



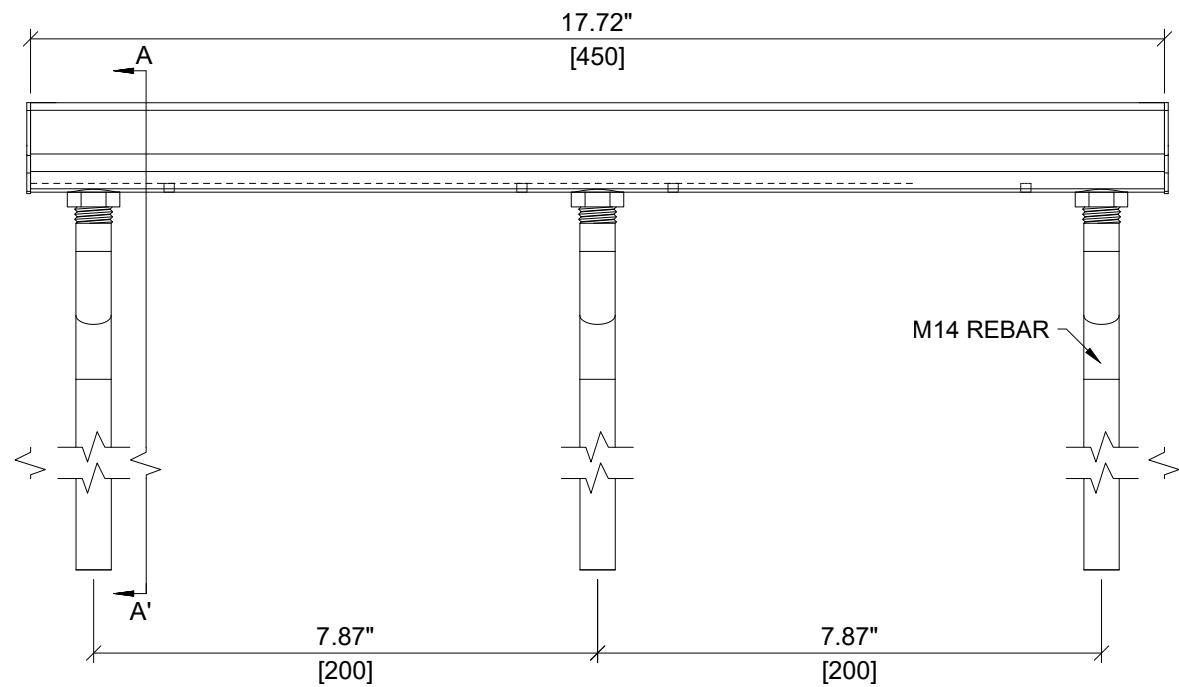
PLAN VIEW

ITEM	DESCRIPTION	QUANTITY
1	CHANNEL PROFILE	1
2	RIVET CONNECTION	3
3	BACK NUT	3
4	END CAP	2
5	TEAR OUT BAND	1
6	FILLER FOAM	1
7	M14 REBAR	3

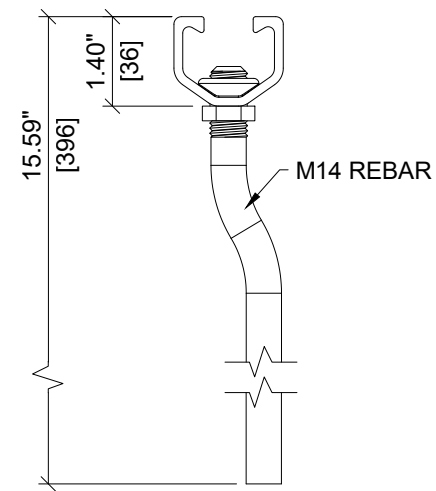
HILTI

ITEM NUMBER: <div style="font-size: 18px; font-weight: bold;">2157541</div>	CHANNEL LIP: <div style="font-size: 18px; font-weight: bold;">SMOOTH</div> <div style="text-align: right; margin-top: 5px;"> </div>
ITEM DESCRIPTION: <div style="font-size: 16px; font-weight: bold; text-align: center;">HAC-60 396/350 F CRFoS U</div>	

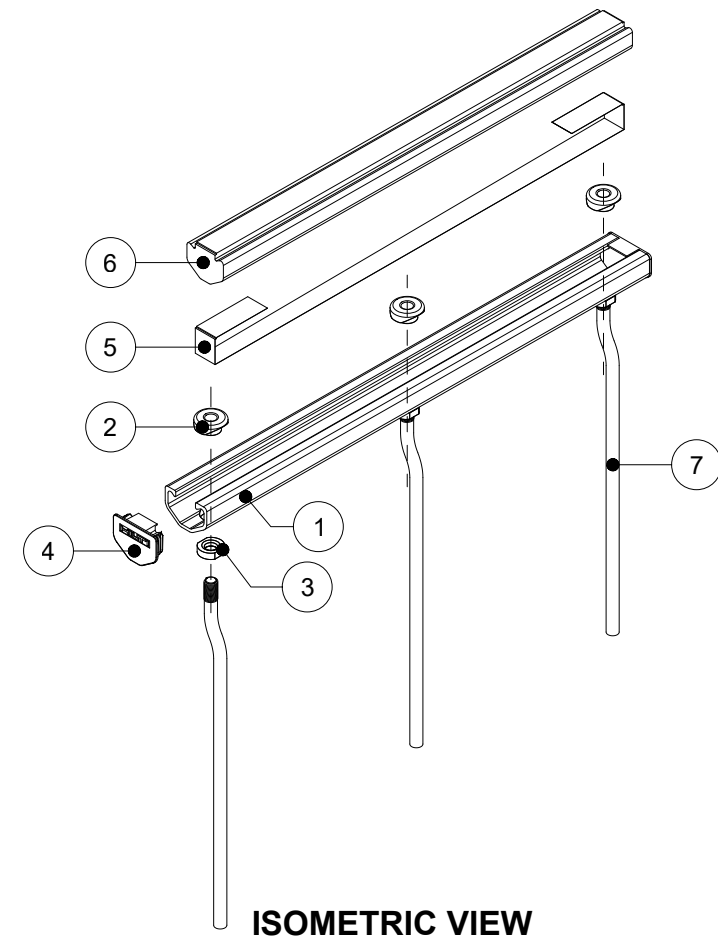




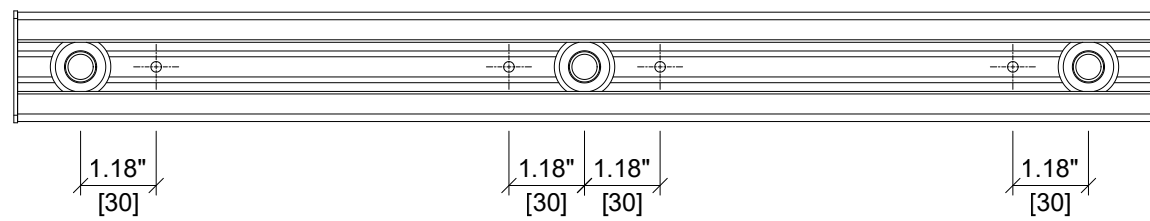
ELEVATION VIEW



SECTION A-A'



ISOMETRIC VIEW



PLAN VIEW

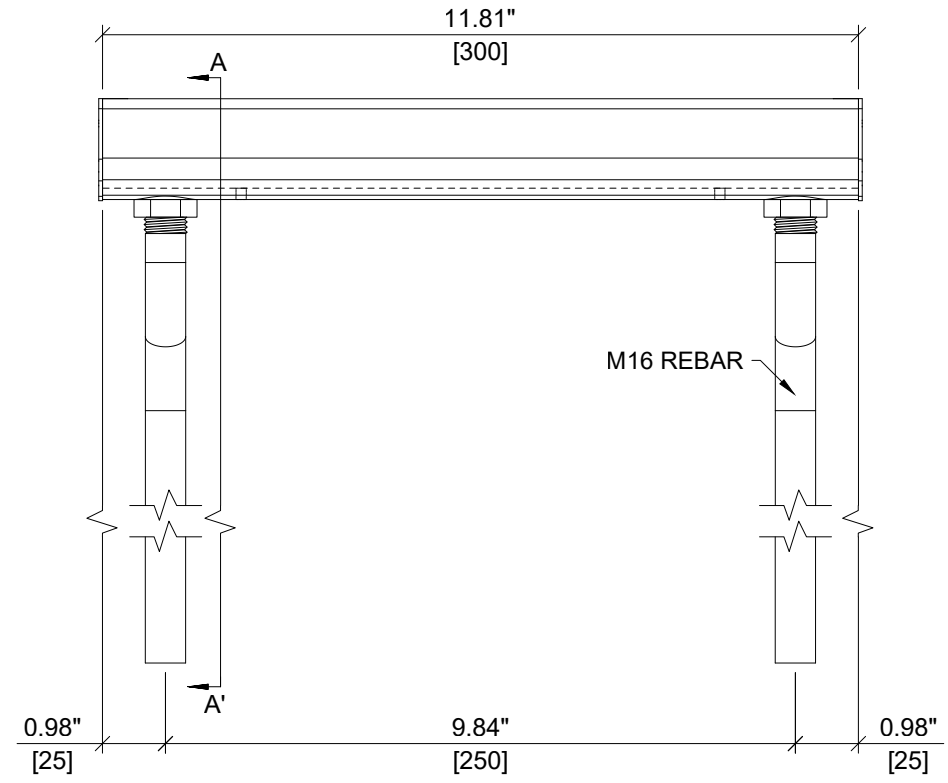
ITEM	DESCRIPTION	QUANTITY
1	CHANNEL PROFILE	1
2	RIVET CONNECTION	3
3	BACK NUT	3
4	END CAP	2
5	TEAR OUT BAND	1
6	FILLER FOAM	1
7	M14 REBAR	3



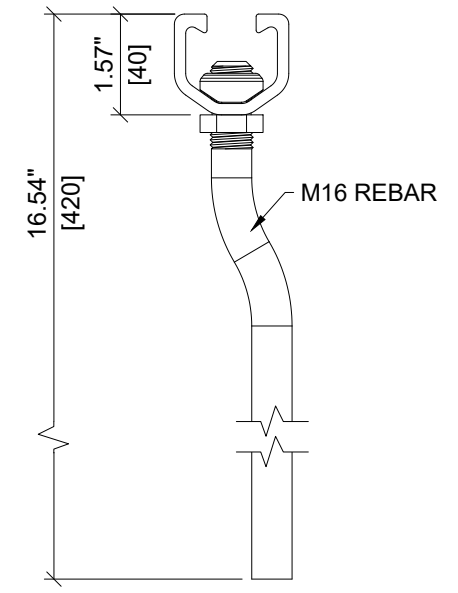
ITEM NUMBER: 2157542	CHANNEL LIP: SMOOTH
ITEM DESCRIPTION: HAC-60 396/450 F CRFoS U	



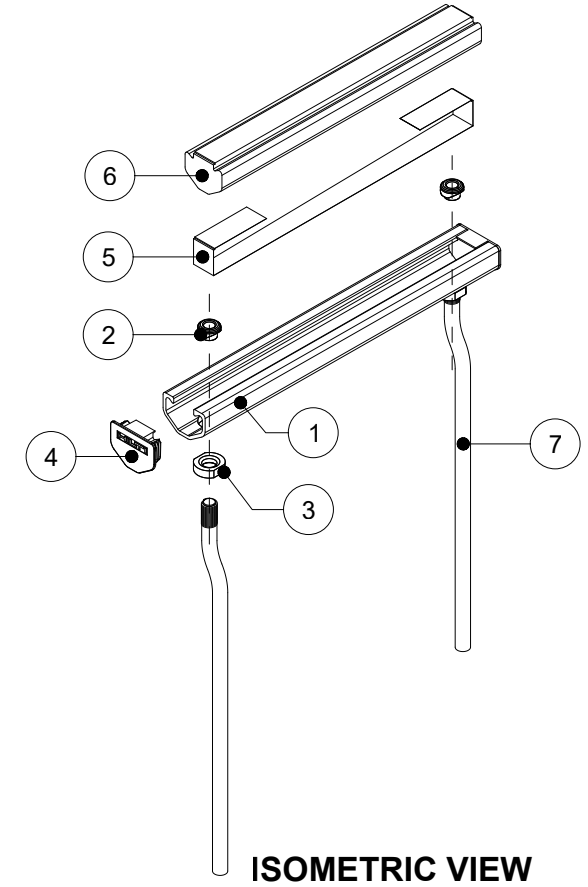
ITEM	DESCRIPTION	QUANTITY
1	CHANNEL PROFILE	1
2	RIVET CONNECTION	2
3	BACK NUT	2
4	END CAP	2
5	TEAR OUT BAND	1
6	FILLER FOAM	1
7	M16 REBAR	2



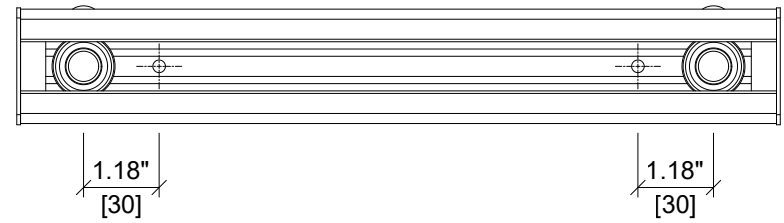
ELEVATION VIEW



SECTION A-A'



ISOMETRIC VIEW



PLAN VIEW



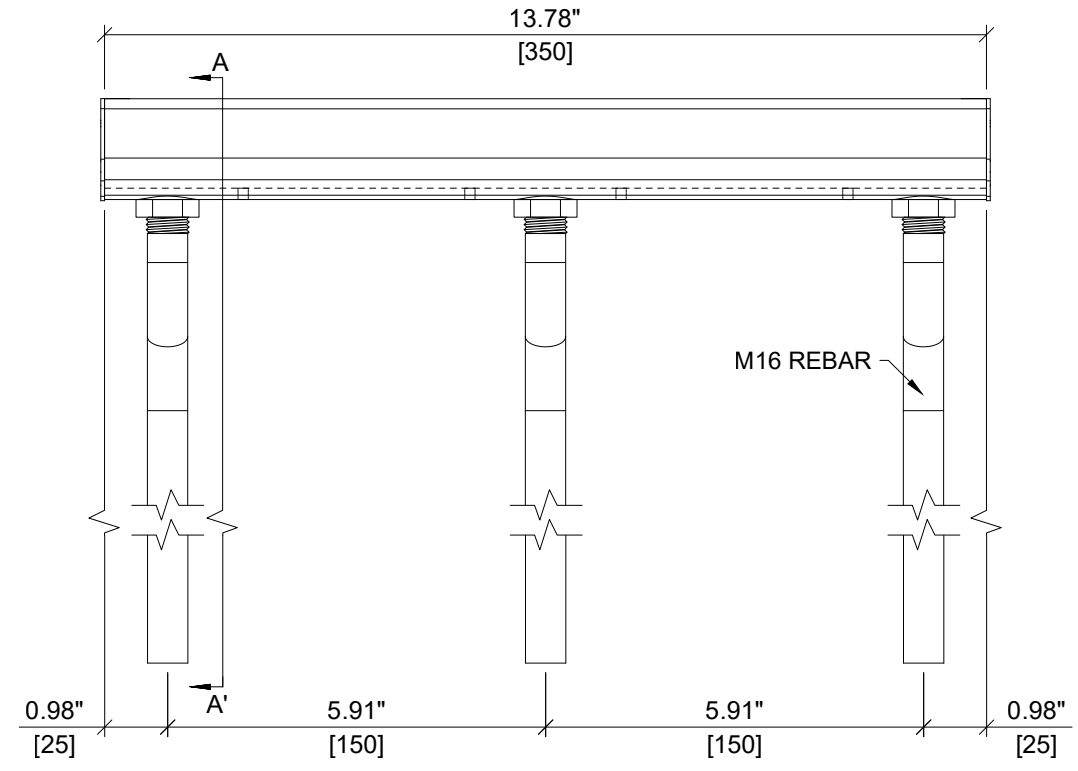
ITEM NUMBER: 2157543	CHANNEL LIP: SMOOTH
ITEM DESCRIPTION: HAC-70 420/300 F CRFoS U	



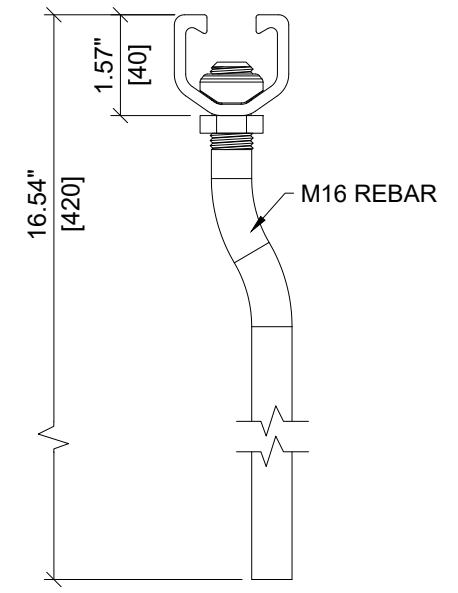
1 2 3 4 5 6 7 8

ITEM	DESCRIPTION	QUANTITY
1	CHANNEL PROFILE	1
2	RIVET CONNECTION	3
3	BACK NUT	3
4	END CAP	2
5	TEAR OUT BAND	1
6	FILLER FOAM	1
7	M16 REBAR	3

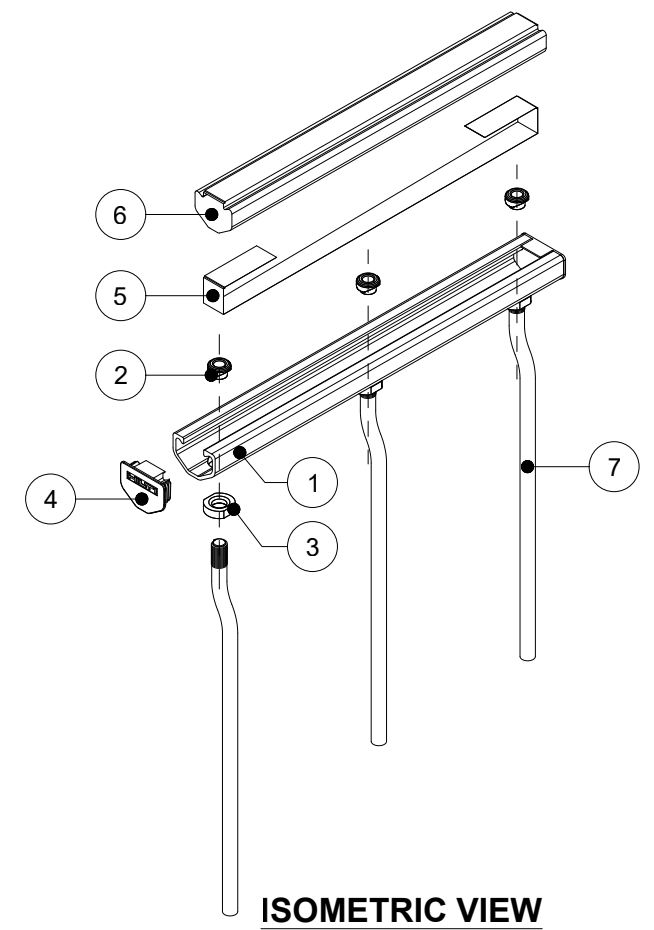
A B C D E F



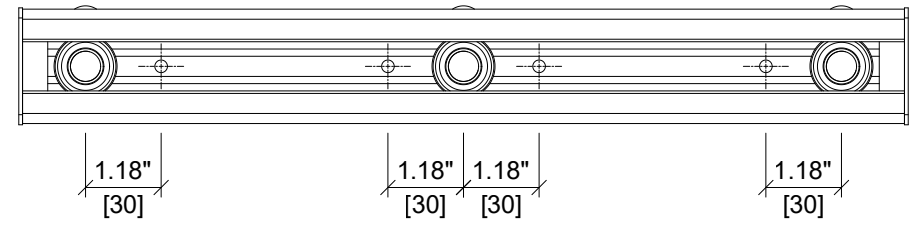
ELEVATION VIEW



SECTION A-A'



ISOMETRIC VIEW



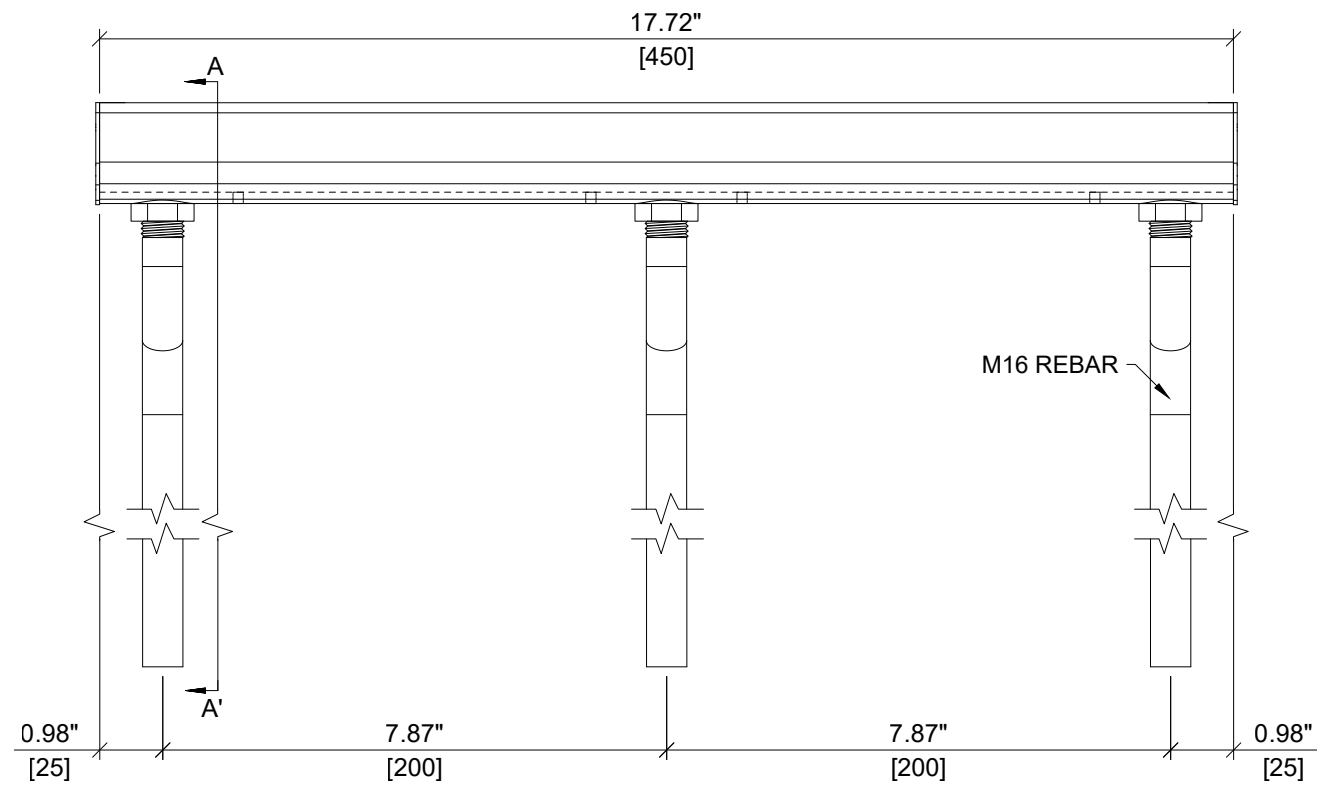
PLAN VIEW

HILTI

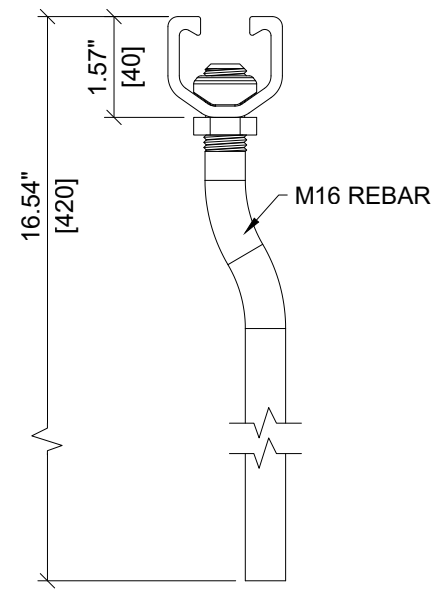
ITEM NUMBER: 2157544	CHANNEL LIP: SMOOTH
ITEM DESCRIPTION: HAC-70 420/350 F CRFoS U	



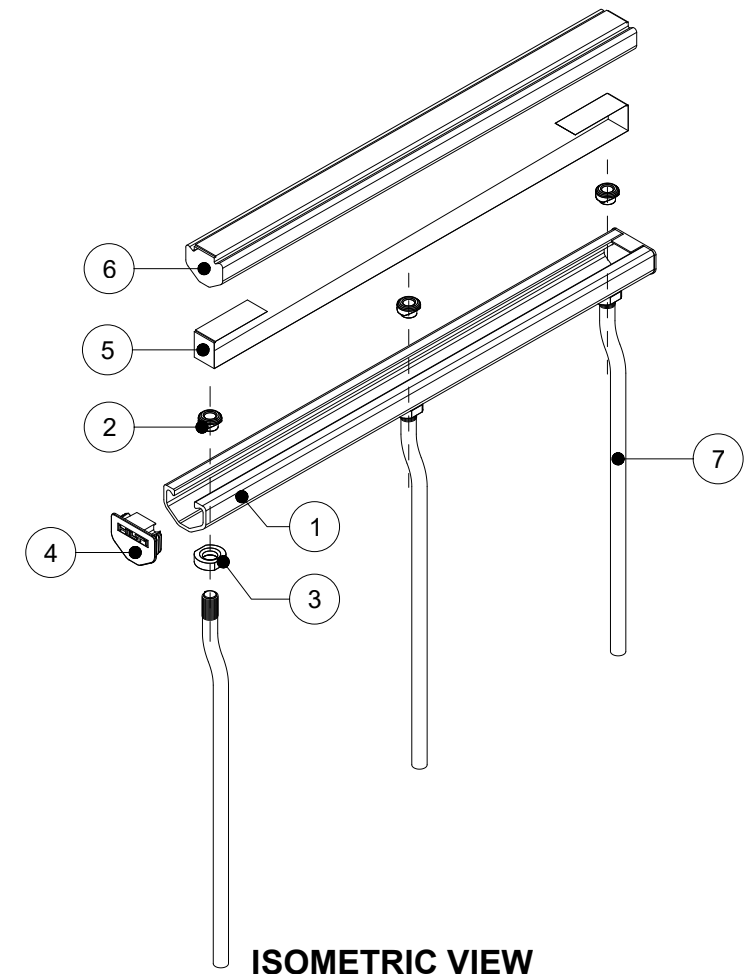
1 2 3 4 5 6 7 8



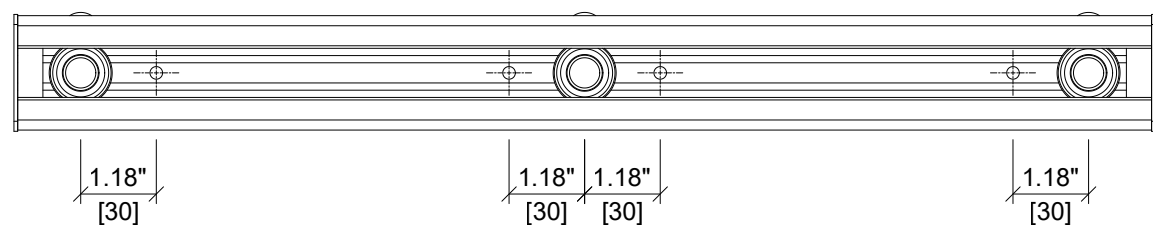
ELEVATION VIEW



SECTION A-A'



ISOMETRIC VIEW



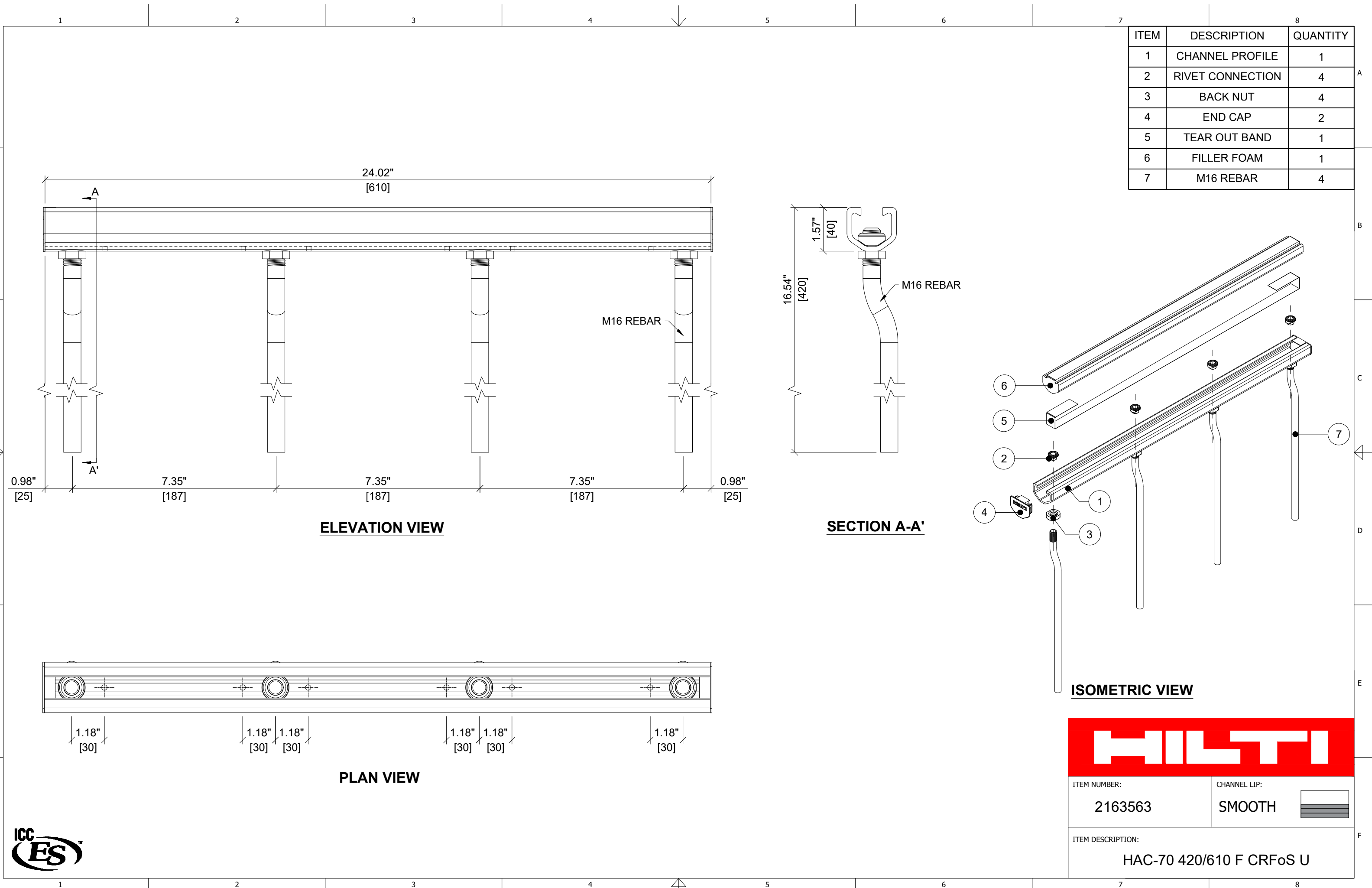
PLAN VIEW

ITEM	DESCRIPTION	QUANTITY
1	CHANNEL PROFILE	1
2	RIVET CONNECTION	3
3	BACK NUT	3
4	END CAP	2
5	TEAR OUT BAND	1
6	FILLER FOAM	1
7	M16 REBAR	3

HILTI

ITEM NUMBER: <div style="font-size: 18px; font-weight: bold;">2157545</div>	CHANNEL LIP: <div style="font-size: 18px; font-weight: bold;">SMOOTH</div> <div style="text-align: right; margin-top: 5px;"> </div>
ITEM DESCRIPTION: <div style="font-size: 18px; font-weight: bold; text-align: center;">HAC-70 420/450 F CRFoS U</div>	





ITEM	DESCRIPTION	QUANTITY
1	CHANNEL PROFILE	1
2	RIVET CONNECTION	4
3	BACK NUT	4
4	END CAP	2
5	TEAR OUT BAND	1
6	FILLER FOAM	1
7	M16 REBAR	4

ELEVATION VIEW

SECTION A-A'

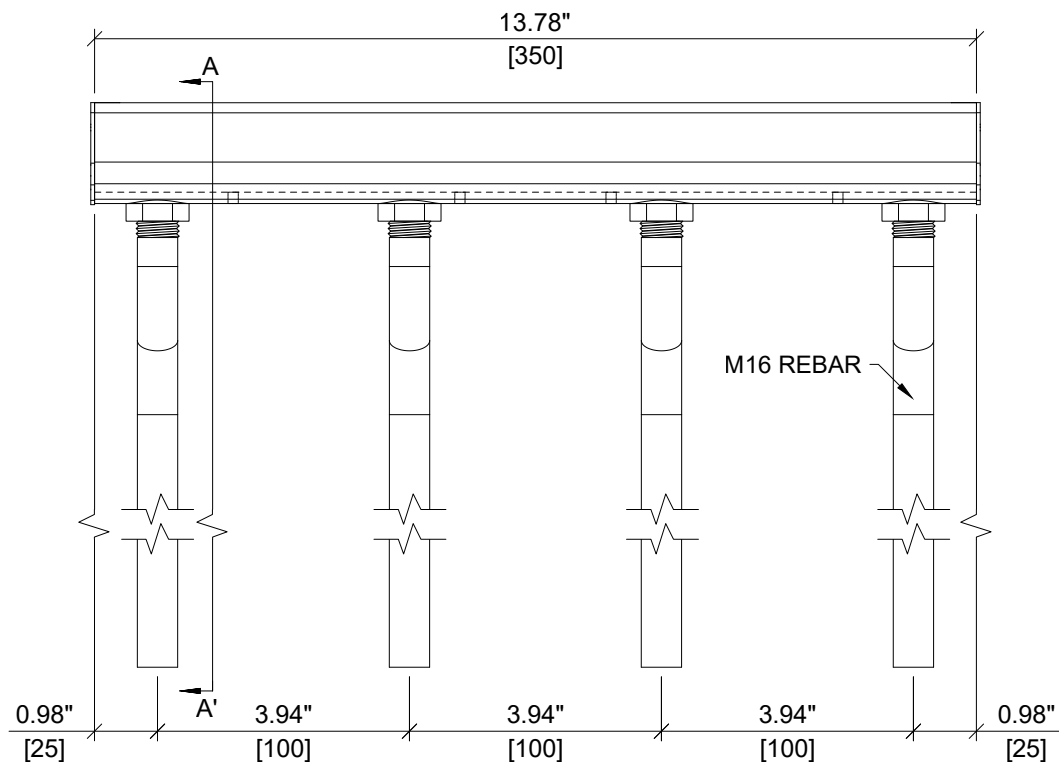
PLAN VIEW

ISOMETRIC VIEW

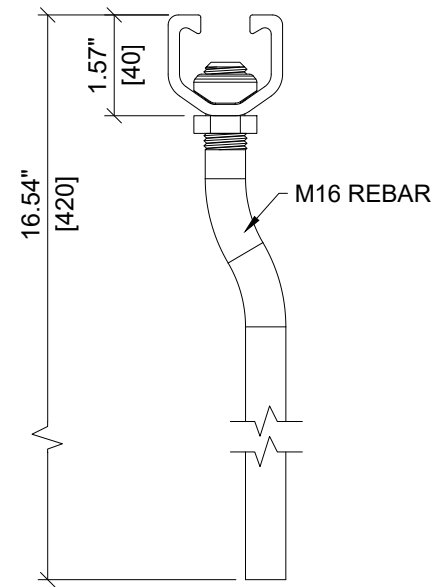
HILTI

ITEM NUMBER: <div style="font-size: 18px; font-weight: bold;">2163563</div>	CHANNEL LIP: <div style="font-size: 18px; font-weight: bold;">SMOOTH</div> <div style="text-align: right; margin-top: 5px;"> </div>
ITEM DESCRIPTION: <div style="font-size: 16px; font-weight: bold; text-align: center;">HAC-70 420/610 F CRFoS U</div>	

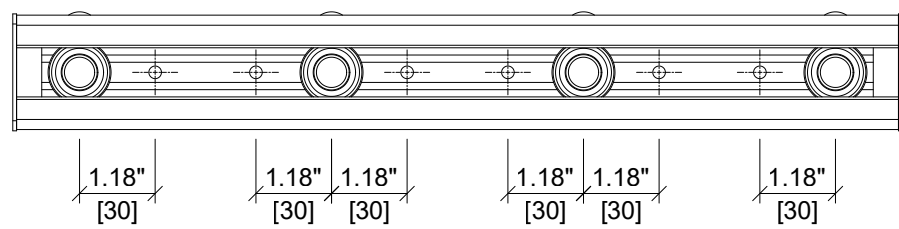




ELEVATION VIEW

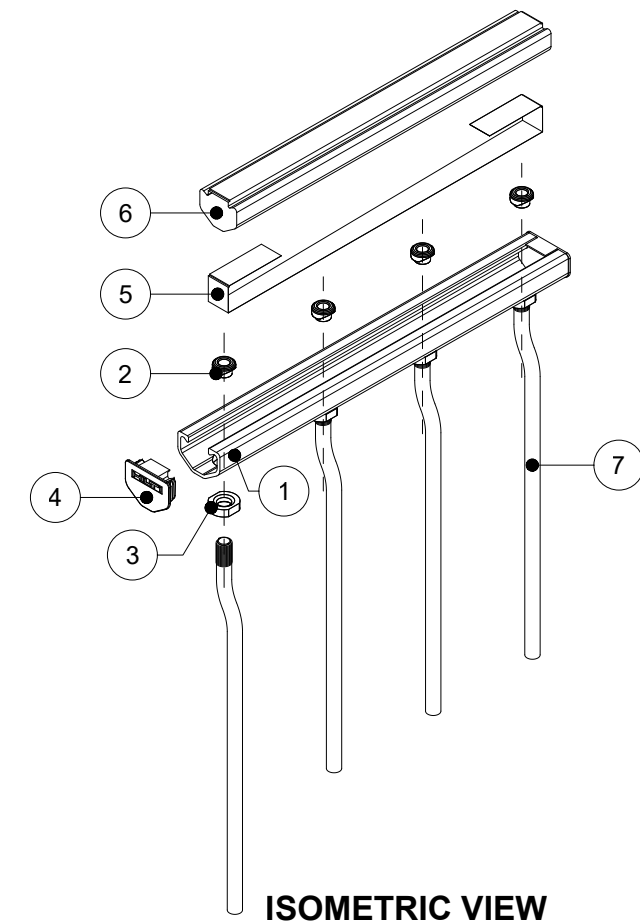


SECTION A-A'



PLAN VIEW

ITEM	DESCRIPTION	QUANTITY
1	CHANNEL PROFILE	1
2	RIVET CONNECTION	4
3	BACK NUT	4
4	END CAP	2
5	TEAR OUT BAND	1
6	FILLER FOAM	1
7	M16 REBAR	4

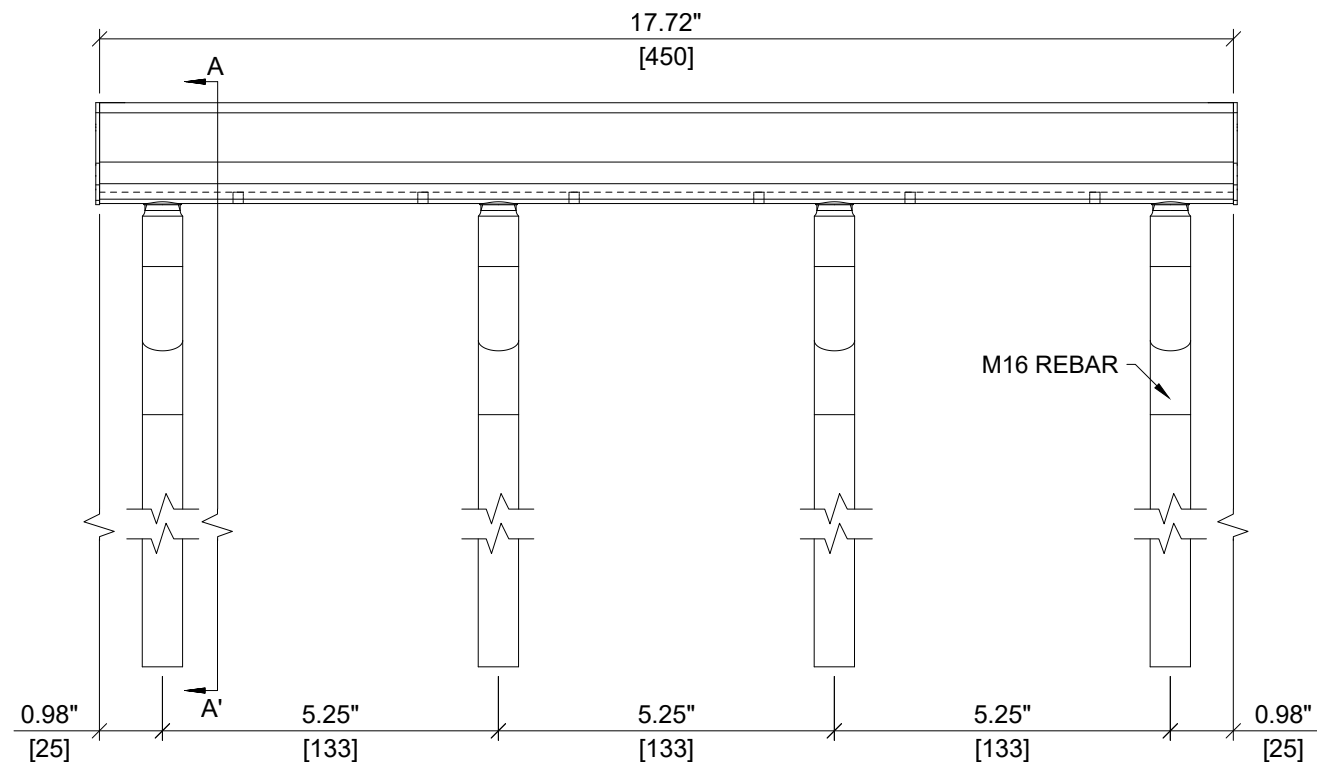


ISOMETRIC VIEW

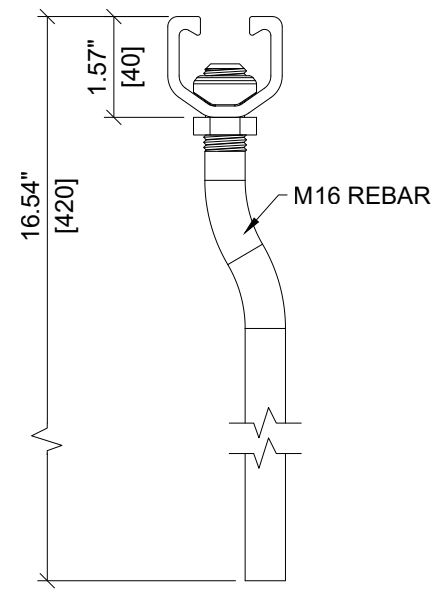
HILTI

ITEM NUMBER: <div style="font-size: 18px; font-weight: bold;">2157546</div>	CHANNEL LIP: <div style="font-size: 18px; font-weight: bold;">SMOOTH</div> <div style="text-align: right; font-size: 12px;"> </div>
ITEM DESCRIPTION: <div style="font-size: 16px; font-weight: bold;">HAC-70 420/350 F 4R CRFoS U</div>	

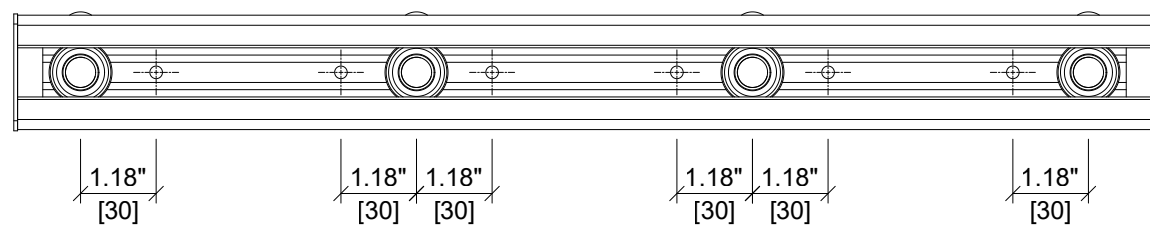




ELEVATION VIEW

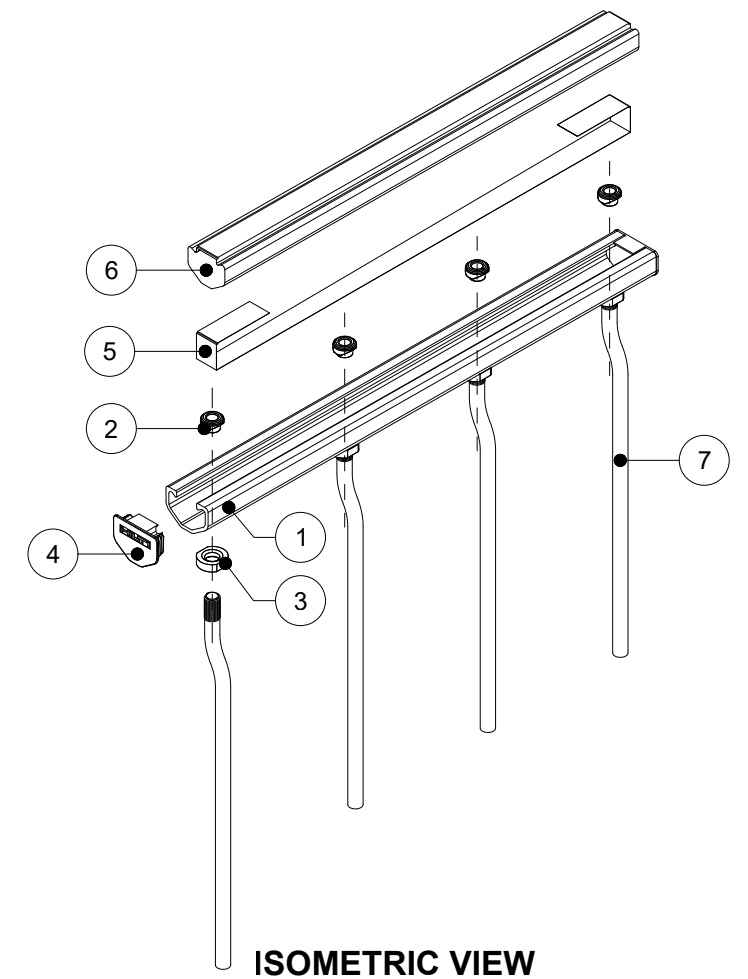


SECTION A-A'



PLAN VIEW

ITEM	DESCRIPTION	QUANTITY
1	CHANNEL PROFILE	1
2	RIVET CONNECTION	4
3	BACK NUT	4
4	END CAP	2
5	TEAR OUT BAND	1
6	FILLER FOAM	1
7	M16 REBAR	4



ISOMETRIC VIEW

HILTI

ITEM NUMBER: <div style="font-size: 18px; font-weight: bold;">2157547</div>	CHANNEL LIP: <div style="font-size: 18px; font-weight: bold;">SMOOTH</div> <div style="text-align: right; margin-top: 5px;"> </div>
ITEM DESCRIPTION: <div style="font-size: 16px; font-weight: bold;">HAC-70 420/450 F 4R CRFoS U</div>	

