

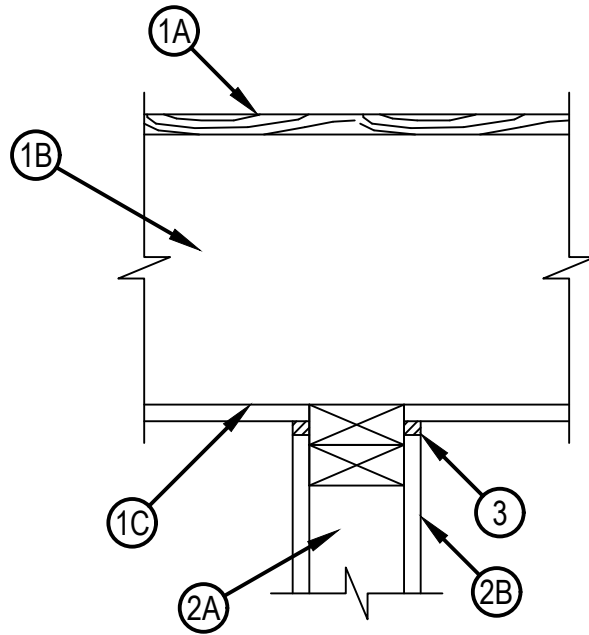


Classified by
Underwriters Laboratories, Inc.
to UL 2079 and CAN/ULC-S115

System No. HW-S-0145

HWS 0145

ANSI/UL2079	CAN/ULC S115
Assembly Rating — 1 Hr	F Rating — 1 Hr
Joint Width - 1/2 In Max.	FT Rating — 1 Hr
	FH Rating — 1 Hr
	FTH Ratings — 1 Hr
	Joint Width - 1/2 In Max.



1. Floor Assembly — The 1 hr fire-rated wood joist, wood truss or combination wood and steel truss Floor-Ceiling assembly shall be constructed of the materials and in the manner described in the individual L500 Series Floor-Ceiling Design in the UL Fire Resistance Directory and shall include the following construction features:

 - A. Flooring System — Lumber or plywood subfloor with finish floor of lumber, plywood or Floor Topping Mixture* as specified in the individual Floor-Ceiling Design.
 - B. Wood Joists — Nom 10 in. (254 mm) deep (or deeper) lumber, steel or combination lumber and steel joists, trusses or Structural Wood Members* with bridging as required and with ends firestopped.
 - C. Gypsum Board* — Nom 4 ft. (122 cm) wide by 5/8 in. (16 mm) thick as specified in the individual Floor-Ceiling Design.
2. Wall Assembly — The 1 hr fire rated gypsum board/lumber stud wall assembly shall be constructed of the materials and in the manner described in the individual U300 Series Wall and Partition Designs in the UL Fire Resistance Directory and shall include the following construction features:

 - A. Studs — Wall framing to consist of nom 2 by 4 in. (51 by 102 mm) lumber spaced 16 in. (406 mm) OC. Top plate installed parallel or perpendicular to direction of wood joists and secured to bottom of joists with steel fasteners spaced max 24 in. (610 mm) OC.
 - B. Gypsum Board* — Gypsum board sheets installed to a min total thickness of 5/8 in. (16 mm) on each side of wall. Wall to be constructed as specified in the individual Wall and Partition Design in the UL Fire Resistance Directory, except that a max 1/2 in. (13 mm) gap shall be maintained between the top of the gypsum board and the ceiling of the floor-ceiling assembly.
3. Joint System — Fill, Void or Cavity Material* — Sealant — Max separation between the bottom of the ceiling and the top of the wall is 1/2 in. (13 mm). Min 5/8 in. (16 mm) thickness of fill material installed to fill the joint, flush with each surface of the wall.
HILTI CONSTRUCTION CHEMICALS, DIV OF HILTI INC — CP 605 Bottom of Wall Firestop Sealant

* Indicates such products shall bear the UL or cUL Certification Mark for jurisdictions employing the UL or cUL Certification (such as Canada), respectively.



Hilti Firestop Systems

Reproduced by HILTI, Inc. Courtesy of
Underwriters Laboratories, Inc.
October 14, 2020