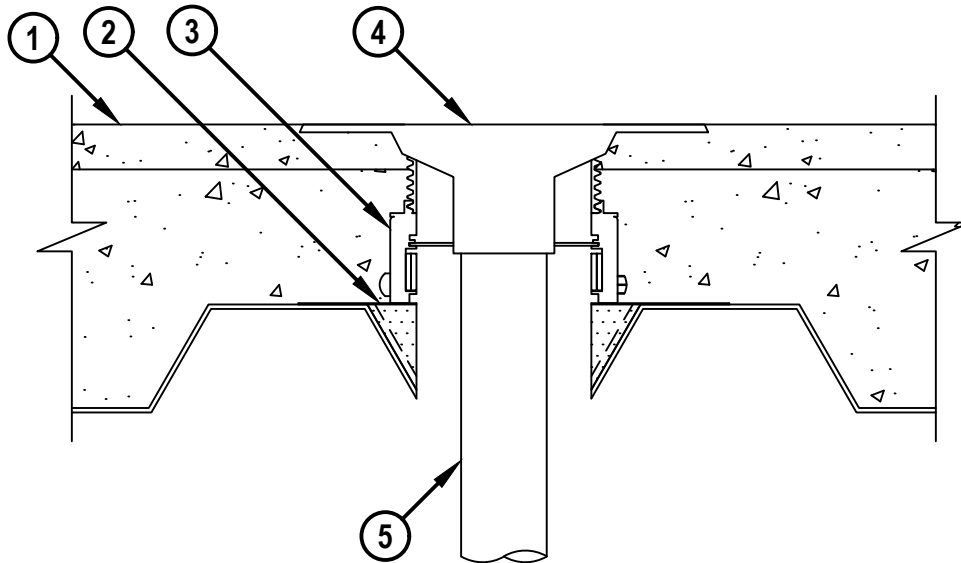


PVC SHOWER DRAIN THROUGH CONCRETE FLOOR OVER METAL DECKING ASSEMBLY

F-RATING = 2-HR.
 FT-RATING = 0-HR. OR 1/2-HR. (SEE ITEM 3)
 FH AND FTH-RATINGS = 0-HR.
 NOTE : TESTED WITH A 50 Pa PRESSURE DIFFERENTIAL

CROSS-SECTIONAL VIEW



cUL FA2347b.110521

1. LIGHTWEIGHT OR NORMAL WEIGHT CONCRETE FLOOR (MINIMUM 3-3/4" THICK) OVER METAL DECKING ASSEMBLY (UL/cUL CLASSIFIED D700 OR D900 SERIES) WITH 2" OR 3" FLUTED DECKS (2-HR. FIRE-RATING). ALTERNATIVELY, THE FLOOR MAY CONSIST OF LIGHTWEIGHT OR NORMAL WEIGHT CONCRETE (MINIMUM 2-1/2" THICK) WITH A MINIMUM 1-1/4" THICKNESS OF CONCRETE OR GROUT TOPPING EXTENDING MINIMUM 24" BEYON PERIPHERY OF DRAIN FLANGE.
 - A. [NOT SHOWN] FLOOR ASSEMBLY MAY BE SPRAYED WITH SPRAY-APPLIED FIRE RESISTIVE MATERIAL AS DESCRIBED IN THE UL D700 SERIES DESIGN.
2. HILTI CFS-CID MD PLT [W2" OR W3"] METAL DECK PLATFORM SECURED TO DECK WITH ONE FASTENER IN EACH CORNER.
3. HILTI CFS-CID MD [P OR PX] 4"/[2.5" OR 4"] FIRESTOP CAST-IN DEVICE FOR METAL DECK SECURED TO HILTI CFS-CID MD PLT METAL DECK PLATFORM WITH SCREWS.
4. PVC DRAIN BODY WITH FLANGE EMBEDDED WITHIN CONCRETE FLOOR OR CONCRETE/GROUT TOPPING. DRAIN PROVIDED WITH BRASS OR CHROMED STEEL DRAIN STRAINER. DRAIN SIZED TO ACCOMMODATE DRAIN PIPE. PVC DRAIN INSERTED INTO FIRESTOP DEVICE WITH DRAIN FLANGE RESTING ON TOP EDGE OF DEVICE PRIOR TO INSTALLATION OF CONCRETE OR FLOOR TOPPING.
5. NOMINAL 2" DIAMETER PVC PLASTIC PIPE (SCHEDULE 40) (VENTED PIPING SYSTEM).



Hilti Firestop Systems

HILTI, Inc.
 Plano, Texas USA (800) 879-8000

Sheet 1 of 1

Scale 3/16" = 1"

Date Nov. 05, 2021

Drawing No.

cUL
FA2347b