

## Firestop Mortar (CP 637)

### Product description

- Fire-resistant mortar suitable for firestopping large openings

### Product features

- Quick-setting — forms can be removed in as little as 2 hours
- Superior working properties
- Can be used in horizontal or vertical applications
- Saves time
- Versatile
- Simple mixing

### Areas of application

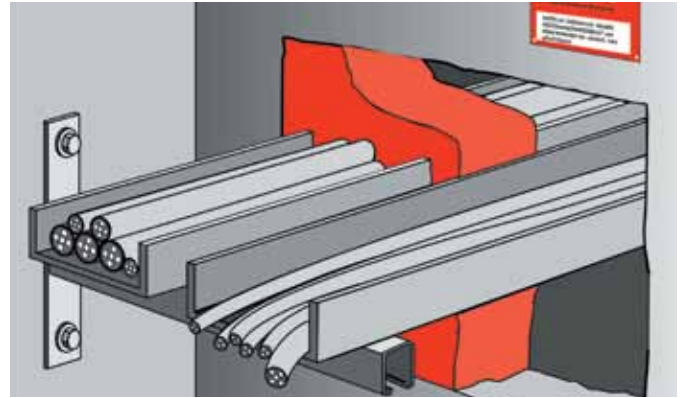
- Sealing medium size to large openings with non-combustible pipes or cable trays
- Permanent fire seal for cables, cable trays and non-combustible pipes

### For use with

- Concrete and masonry assemblies
- Walls and floors rated up to 4 hours

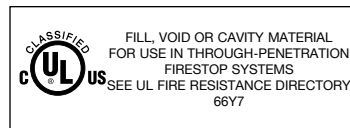
### Examples

- Large openings containing multiple steel, conduit and EMT pipes
- Large openings with single or multiple cable tray applications



Technical Data*		CP 637
Color		Light red
Application temperature		40°F to 110°F (5°C to 43°C)
Form removal (depending on consistency)		Approx. 2 hours
Density		Approx. 40.6 pcf (dry)
Expansion on setting (approx.)		0.08%
Compressive strength		
	24 hrs. after casting	After full cure
• Pourable	508 psi (3.5 N/mm <sup>2</sup> )	725 psi (5.0 N/mm <sup>2</sup> )
• Trowelable	870 psi (6.0 N/mm <sup>2</sup> )	1784 psi (12.3 N/mm <sup>2</sup> )
Surface burning characteristics (ASTM E84-01)		Flame spread: 5 Smoke development: 0
Yield (30 lb pail)		900–1000 cubic inches depending on mix ratio
Tested in accordance with		
• ASTM E 814 • UL 1479 • ASTM E 84 • ASTM G21		

\*At 73°F (23°C) and 50% relative humidity



## Installation instructions for CP 637

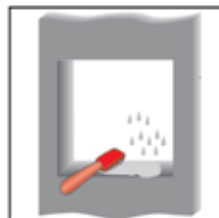
### Notice

- Before handling, read Material Safety Data Sheet and product label for safe usage and health information.
- Instructions below are general guidelines — always refer to the applicable drawing in the UL Fire Resistance Directory or Hilti Firestop Systems Guide for complete installation information

### Mix ratio (recommended, mortar to water):

**Trowelable** 30 lb (14.6 kg) : 2 U.S. gal (8 L)

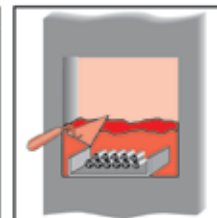
**Pourable** 30 lb (14.6 kg) : 2.5 U.S. gal (9.5 L)



1. Clean penetration. Pre-moisten sides of penetration.



2. Important! First add clean water to separate container. Then slowly add CP 637 to water while stirring by hand or power mixer to ensure smooth, lump-free mix. See table above for mix ratio.



3. Work prepared mortar into opening by troweling, pouring, or pumping with suitable pump. Use forms for large openings. Make sure application has been sealed according to the applicable UL Fire Resistance Directory or Hilti Firestop Manual.



4. Fasten identification plate (if required).



**Hilti. Outperform. Outlast.**