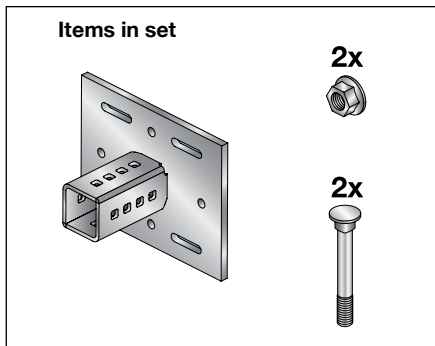
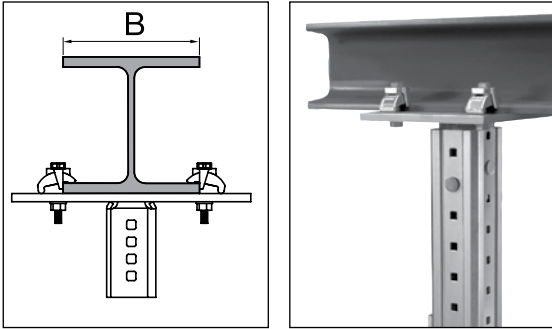
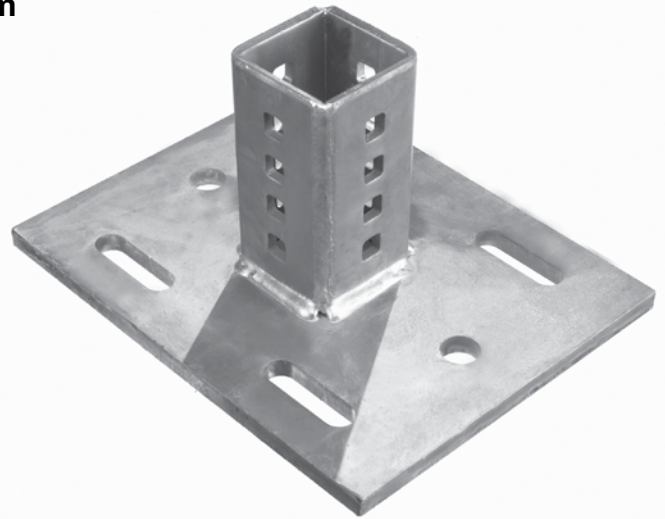


3.4 MI Components, Allowable Load Data and Specifications

MI steel connectors: Connection to steel beam

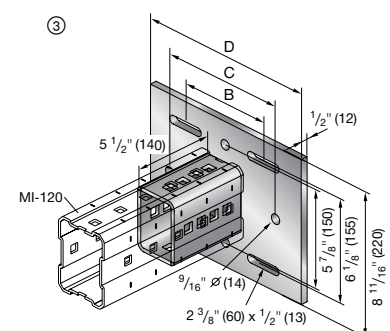
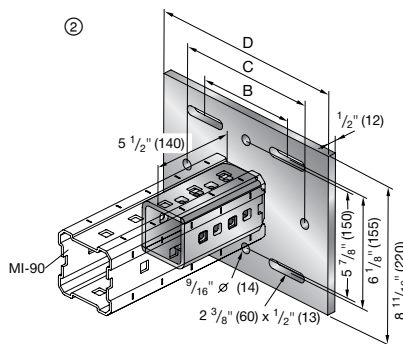
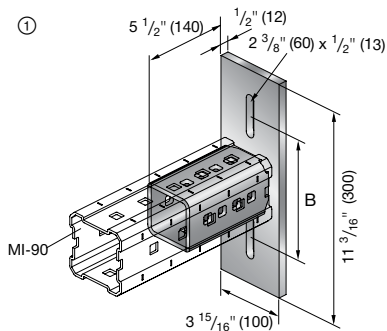
Material Specifications

Material	S235 JRG2 (DIN 10025), ASTM A1011 (34)
Galvanizing	Hot-dip galvanized 2.2 mils (55 µm) DIN EN ISO 1461, ASTM A153



Ordering Information

Description	For Girder Type	Steel Beam Width B in (mm)	C in (mm)	D in (mm)	Weight Per Set lb (kg)	Qty	Item No.
MIC-S90-AA ①	MI-90	4-3/8"-8" (110-205)	6-5/8" (170)	11-13/16" (300)	9.6 (4.3)	2	304811
MIC-S90-A ②	MI-90	2-15/16"-6-1/2" (75-165)	7-7/8" (200)	11" (280)	15.7 (7.1)	2	304812
MIC-S90-B ②	MI-90	6-1/2"-9-1/4" (165-235)	11-13/16" (300)	13-3/4" (350)	18.9 (8.5)	2	304813
MIC-S90-C ②	MI-90	9-1/4"-12" (235-305)	13-3/4" (350)	16-15/16" (430)	22.5 (10.2)	2	304814
MIC-S120-A ③	MI-120	2-15/16"-6-1/2" (75-165)	7-7/8" (200)	11" (280)	16.6 (7.5)	2	304818
MIC-S120-B ③	MI-120	6-1/2"-9-1/4" (165-235)	11-13/16" (300)	13-3/4" (350)	19.8 (8.9)	2	304819
MIC-S120-C ③	MI-120	9-1/4"-12" (235-305)	13-3/4" (350)	16-15/16" (430)	23.4 (10.6)	2	304820



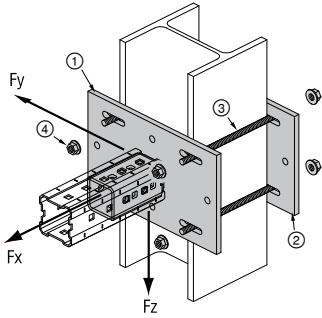
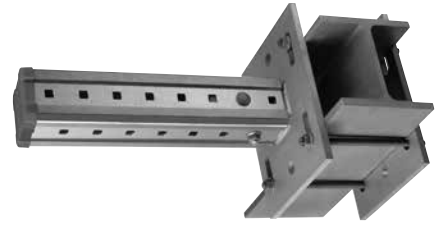
Connectors designed to resist moments.

3.4 MI Components, Allowable Load Data and Specifications

MI steel connectors: MIC-S90/120-A/B/C + MIB connection to steel beams or channels

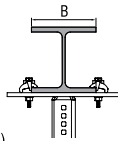
Ordering Information

Description	Information	Connection Qty	Item No.
MIC-S (A/B/C)	① To suit beam size	1	304812/304813/304814
MIB-S (A/B/C)	② To suit beam size	1	304821/304822/304823
AM 12-F	③ M12-F threaded rod	4	304774
M12-F-SL WS 3/4	④ Self-locking nuts	8	382897



MI steel connectors: MIC-S90-AA / A

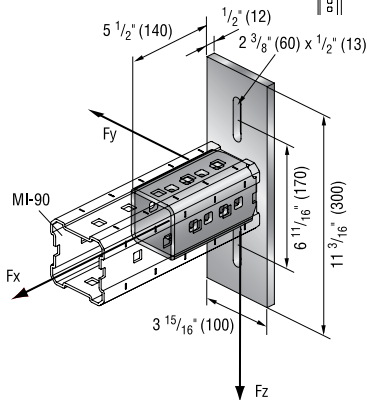
MIC-S90-AA¹



Allowable loads for MIC-S90-AA on steel flange

± Fx (lb)	± Fy (lb)	± Fz (lb)	± Mx (ft-lb)	± My (ft-lb)	± Mz (ft-lb)
+2080/-2580	550	550	115	375	425

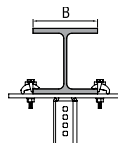
1 Fastened with two MI-SGC-M12 beam clamps (item 233859), order separately.



Allowable loads for MIC-S90-A on steel flange

± Fx (lb)	± Fy (lb)	± Fz (lb)	± Mx (ft-lb)	± My (ft-lb)	± Mz (ft-lb)
+4900/-5160	1100	1100	325	590	590

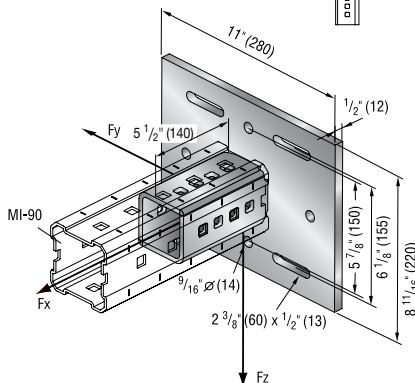
MIC-S90-A²



Allowable loads for MIC-S90-A + MIB on steel web

± Fx (lb)	± Fy (lb)	± Fz (lb)	± Mx (ft-lb)	± My (ft-lb)	± Mz (ft-lb)
+4900/-6770	1325	1325	390	590	590

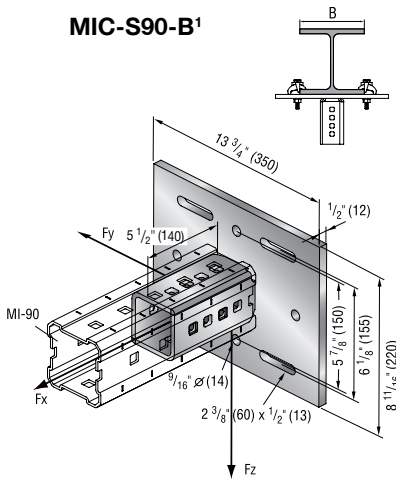
2 Fastened with four MI-SGC-M12 beam clamps (item 233859), order separately.



3.4 MI Components, Allowable Load Data and Specifications

MI steel connectors: MIC-S90-B / C

MIC-S90-B¹



Allowable loads for MIC-S90-B on steel flange

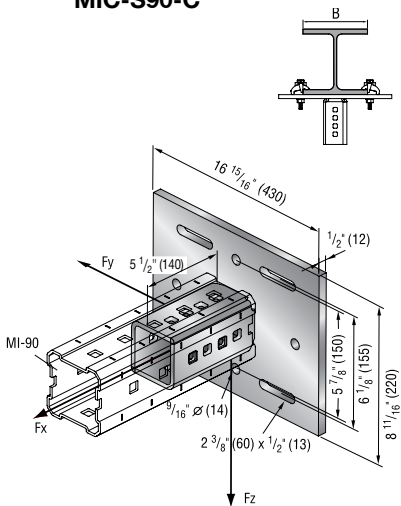
± Fx (lb)	± Fy (lb)	± Fz (lb)	± Mx (ft-lb)	± My (ft-lb)	± Mz (ft-lb)
+3890/-5160	1100	1100	430	590	590

Allowable loads for MIC-S90-B + MIB on steel web

± Fx (lb)	± Fy (lb)	± Fz (lb)	± Mx (ft-lb)	± My (ft-lb)	± Mz (ft-lb)
+3890/-6440	1100	1100	510	590	590

1 Fastened with four MI-SGC-M12 beam clamps (item 00233859), order separately.

MIC-S90-C²



Allowable loads for MIC-S90-C on steel flange

± Fx (lb)	± Fy (lb)	± Fz (lb)	± Mx (ft-lb)	± My (ft-lb)	± Mz (ft-lb)
+2810/-5160	1100	1100	530	590	590

Allowable loads for MIC-S90-C + MIB on steel web

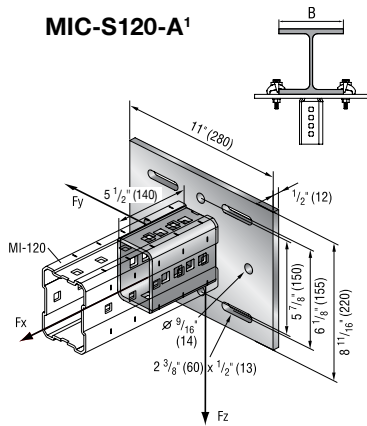
± Fx (lb)	± Fy (lb)	± Fz (lb)	± Mx (ft-lb)	± My (ft-lb)	± Mz (ft-lb)
+2810/-5540	1100	1100	635	590	590

2 Fastened with four MI-SGC-M12 beam clamps (item 233859), order separately.

3.4 MI Components, Allowable Load Data and Specifications

MI steel connectors: MIC-S120-A/B

MIC-S120-A¹



Allowable loads for MIC-S120-A on steel flange

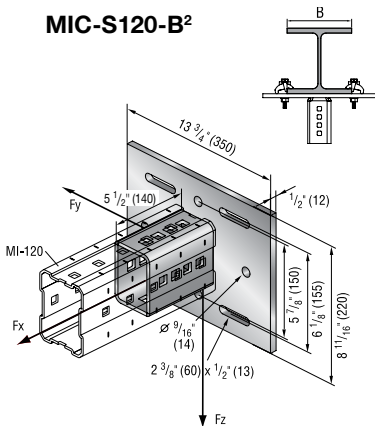
± Fx (lb)	± Fy (lb)	± Fz (lb)	± Mx (ft-lb)	± My (ft-lb)	± Mz (ft-lb)
+4900/-5160	1100	1100	325	900	675

Allowable loads for MIC-S120-A + MIB on steel web

± Fx (lb)	± Fy (lb)	± Fz (lb)	± Mx (ft-lb)	± My (ft-lb)	± Mz (ft-lb)
+4900/-6770	1325	1325	390	590	675

1 Fastened with four MI-SGC-M12 beam clamps (item 233859), order separately.

MIC-S120-B²



Allowable loads for MIC-S120-B on steel flange

± Fx (lb)	± Fy (lb)	± Fz (lb)	± Mx (ft-lb)	± My (ft-lb)	± Mz (ft-lb)
+3530/-5160	1100	1100	430	900	675

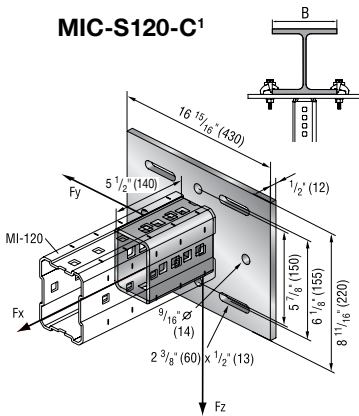
Allowable loads for MIC-S120-B + MIB on steel web

± Fx (lb)	± Fy (lb)	± Fz (lb)	± Mx (ft-lb)	± My (ft-lb)	± Mz (ft-lb)
+3530/-3200	1325	1325	510	900	675

2 Fastened with four MI-SGC-M12 beam clamps (item 233859), order separately.

3.4 MI Components, Allowable Load Data and Specifications

MI steel connectors: MIC-S120-C



Allowable loads for MIC-S120-C on steel flange

± Fx (lb)	± Fy (lb)	± Fz (lb)	± Mx (ft-lb)	± My (ft-lb)	± Mz (ft-lb)
+2810/-5160	1100	1100	530	900	675

Allowable loads for MIC-S120-C + MIB on steel web

± Fx (lb)	± Fy (lb)	± Fz (lb)	± Mx (ft-lb)	± My (ft-lb)	± Mz (ft-lb)
+2810/-5540	1325	1325	635	900	675

1 Fastened with four MI-SGC-M12 beam clamps (item 233859), order separately.