

5.0 Installation System Hangers

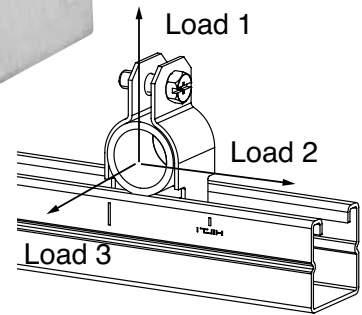
MH-UB Strut clamp – universal

Product Features

- Sized to fit both rigid pipes and EMT
- Pre-galvanized
- One piece out of the box, simply break apart and install
- Innovative design requires no nuts for fast and easy assembly

Material Specifications

Material	Carbon steel
Finish	Pre-galvanized
Conforms with	<ul style="list-style-type: none"> • Federal specifications WW-H-171E (Type 59) • Manufacturers Standardization Society MSS-SP-58 (Type 59)



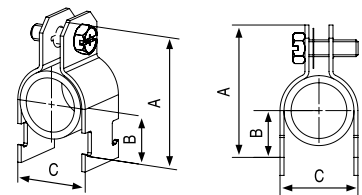
Ordering Information / Technical Data

Description	Allowable Load 1 (lb) ¹	Allowable Load 2 (lb) ¹	Allowable Load 3 (lb) ¹	Box Qty	Item No.
MH-UB 1/2" PG	200	75	50	100	2008846
MH-UB 3/4" PG	200	75	50	100	2008847
MH-UB 1" PG	200	75	50	50	2008848
MH-UB 1 1/4" PG	200	75	50	50	2008849
MH-UB 1 1/2" PG	200	100	50	50	2008850
MH-UB 2" PG	200	100	50	50	2008851

¹ Based on a safety factor of 3 for Load 1 and 2.3 for Load 2 and 3 according to AISI 2007. Allowable loads are based on loading in one direction only.

Technical Data

Designation	Bolt Diameter x Length	Wrench Size	Tightening Torque (in-lb)	Material Thickness Gauge	A Dimension (in)	B Dimension (in)	C Dimension (in)
MH-UB 1/2" PG	5/16"-18 UNC x 3/4"	1/2"	60	16	1.96	0.68	0.96-0.82
MH-UB 3/4" PG	5/16"-18 UNC x 3/4"	1/2"	60	16	2.19	0.79	1.17-1.04
MH-UB 1" PG	5/16"-18 UNC x 3/4"	1/2"	60	14	2.47	0.91	1.46-1.31
MH-UB 1 1/4" PG	5/16"-18 UNC x 1"	1/2"	60	14	2.84	1.09	1.81-1.66
MH-UB 1 1/2" PG	5/16"-18 UNC x 1"	1/2"	60	14	3.08	1.20	2.05-1.89
MH-UB 2" PG	5/16"-18 UNC x 1"	1/2"	60	14	3.56	1.44	2.52-2.35



Installation Instructions

