

## 4.2 MQ System Components — Load Data and Material Specifications

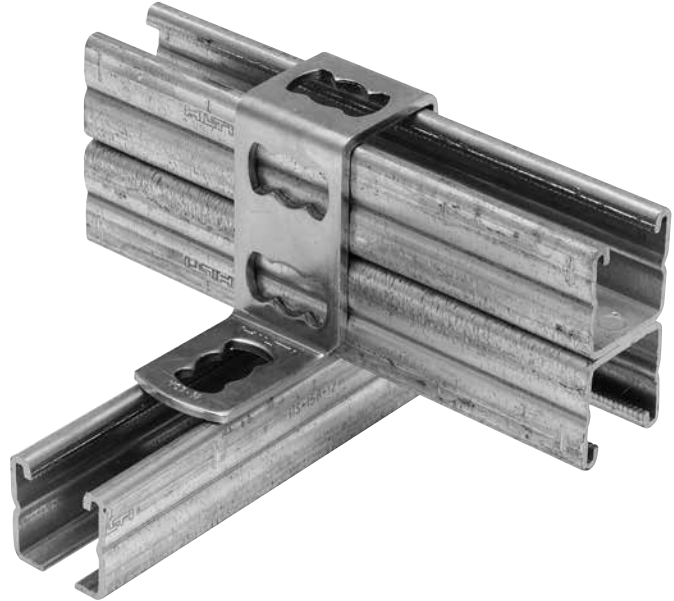
### MQB Clamps

#### Product Features

- Various clamp sizes
- Suitable for all the different strut profiles
- Utilizes Hilti Pushbutton technology

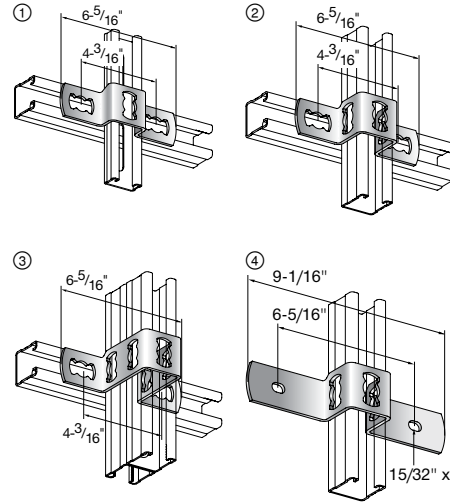
#### Material Specifications

<b>Material</b>	Carbon steel Stainless Steel 1.4404 (316 L)
<b>Material thickness</b>	3/16" (4 mm)
<b>Finish</b>	Hot-dipped galvanized, min. 2.2 mil (55 µm), DIN EN ISO 1461, ASTM A153 Electro-galvanized



#### Ordering Information

Description	Weight/Piece (lb)	Strut Profile	Qty	Item No.
<b>MQB-21</b>	① 0.465	13/16"	10	369666
<b>MQB-41</b>	② 0.536	1-5/8"	10	369668
<b>MQB-41-R (SS316)</b>	② 0.529	1-5/8"	10	304061
<b>MQB-82</b>	③ 0.750	1-5/8" Back-to-Back	10	369671
<b>MQB-82-R (SS316)</b>	③ 0.750	1-5/8" Back-to-Back	10	304063
<b>MQB-G41</b>	④ 0.807	1-5/8"	10	369674
<b>MQB-G41-F (HDG)</b>	④ 0.807	1-5/8"	10	304189



#### Technical Data Allowable Loads<sup>1</sup>

Description	F <sub>x</sub>	F <sub>y</sub>	F <sub>z</sub>
<b>MQB-21</b>	1530	1125	1125
<b>MQB-41</b>	1530	1125	1125
<b>MQB-41-R</b>	1530	1125	1125
<b>MQB-82</b>	1530	1125	1125
<b>MQB-82-R</b>	1530	1125	1125
<b>MQB-G41</b>	1530	-	1125
<b>MQB-G41-F</b>	1530	-	1125

<sup>1</sup> Based on a safety factor of 2.2

