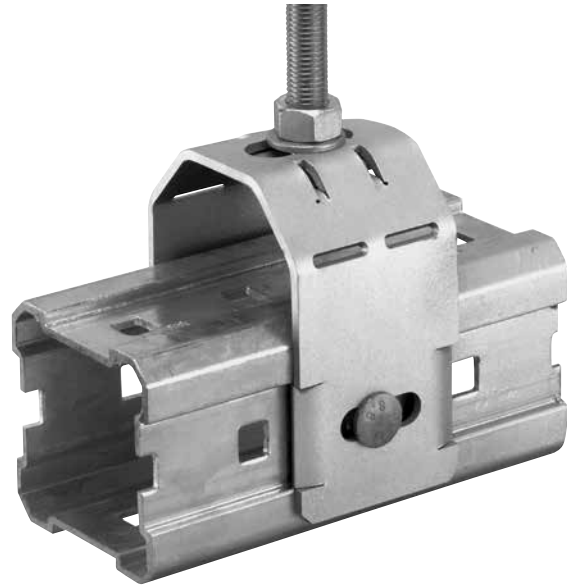


3.4 MI Components, Allowable Load Data and Specifications

MIC-TRC Threaded rod connector

Advantages

- Opposite side of MI girder still usable for other applications
- Connector can be used on top (as shown at right) or bottom of MI girder
- With MI-90 = 1-3/16" (30 mm) height adjustability; for MI-120 = 9/16" (14 mm)



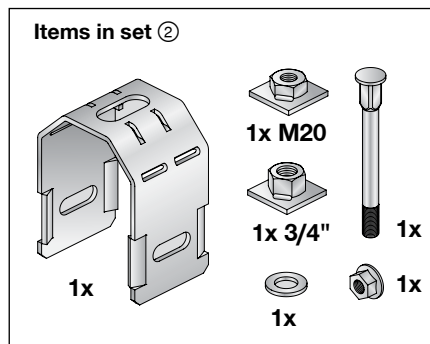
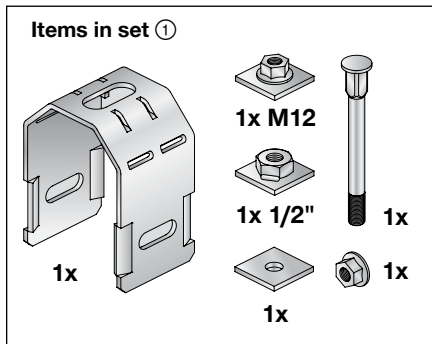
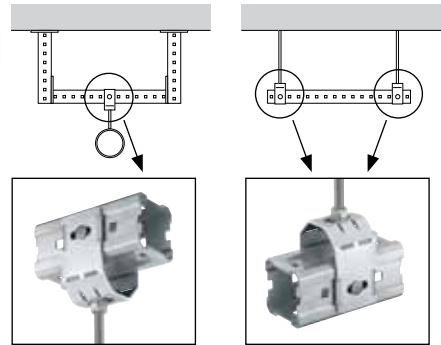
Material Specifications

Material	S235 JRG2 (DIN 10025), ASTM A1011 (34)
Galvanizing	Hot-dip galvanized 2.2 mils (55 µm), DIN EN ISO 1461, ASTM A153
Connecting bolt	M12 (connection to MI girder) see 3.4.15

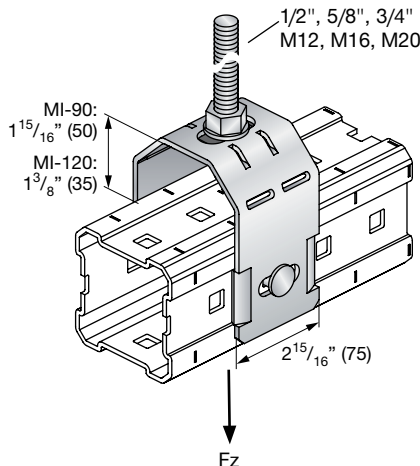
Ordering Information

Description	For Girder Type	For Threaded Rod Sizes ¹	Weight Per Set lb (kg)	Qty	Item No.
MIC-TRC M12-1/2 ①	MI-90/MI-120	M12, 1/2", 5/8"	2.1 (0.9)	2	233856
MIC-TRC M20-3/4 ②	MI-90/MI-120	M20, 3/4", 5/8"	2.2 (1.0)	2	233858

¹ Use with threaded rod sizes shown and two nuts and washers; one nut/washer supplied except for 5/8", items ordered separately.



Technical Data



Allowable loads^{2,3} MIC-TRC M12, 1/2", M16, 5/8"

Loading:	± Fy (lb)	± Fx (lb)	± Fz (lb)
Fz	-	-	2250

Allowable loads² MIC-TRC M20, 3/4"

Loading:	± Fy (lb)	± Fx (lb)	± Fz (lb)
Fz	-	-	3980

² Threaded rod capacity must be evaluated separately.
³ Tightening torque 62 ft-lbs for M12, see threaded rod diameter torque per MSS-SP-58.