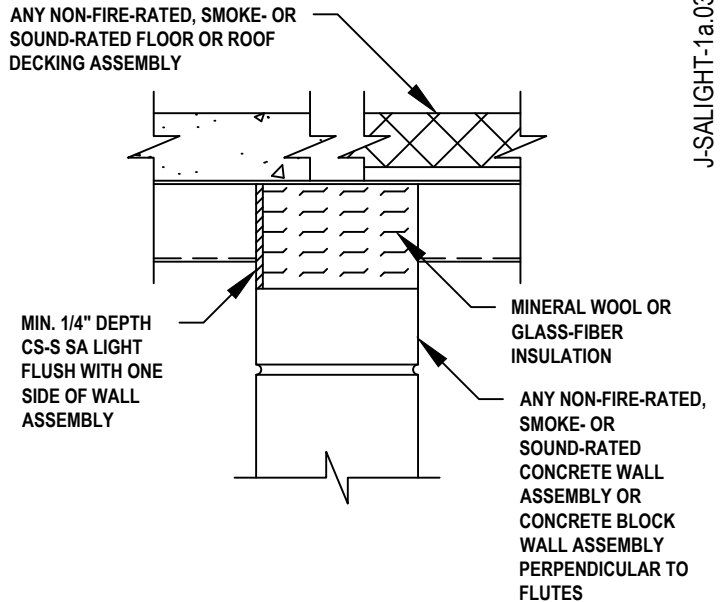
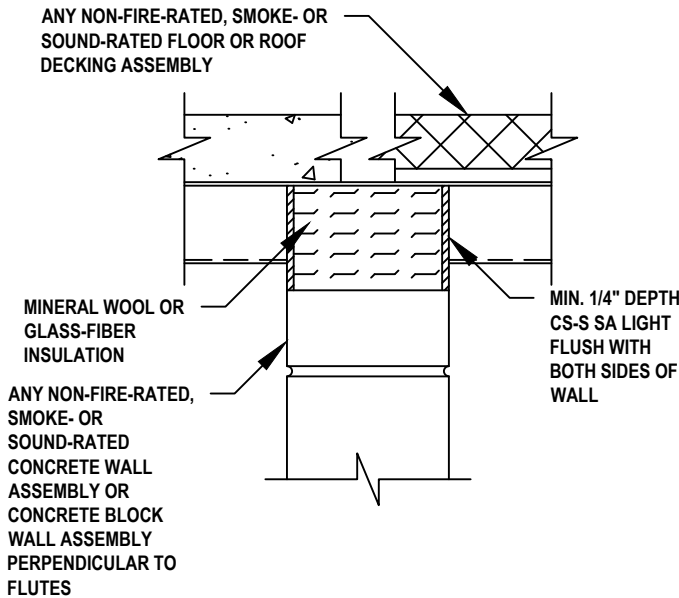


# JOINT DETAILS FOR NON FIRE-RATED SMOKE PARTITIONS (EXAMPLES)

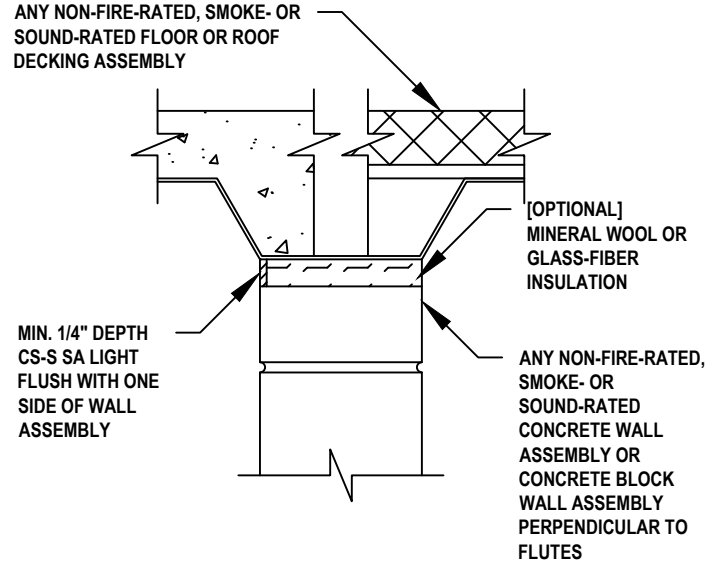
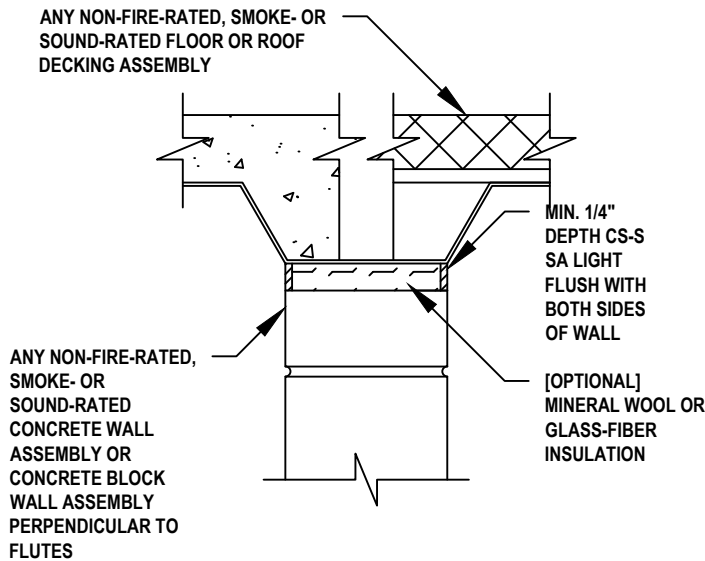
## TWO-SIDED APPLICATIONS (HEAD-OF-WALL)

## ONE-SIDED APPLICATIONS (HEAD-OF-WALL)



## TWO-SIDED APPLICATIONS (HEAD-OF-WALL)

## ONE-SIDED APPLICATIONS (HEAD-OF-WALL)



**NOTES :**

- HILTI CS-S SA LIGHT SMOKE AND ACOUSTIC LIGHTWEIGHT SEALANT MAY BE INSTALLED WHERE IT IS NECESSARY TO RESTRICT SMOKE MIGRATION THROUGH NON FIRE-RATED ASSEMBLIES.
- NOT FOR FIRE-RATED ASSEMBLIES.
- LUBRIZOL CPVC COMPATIBLE (FBC™ SYSTEM COMPATIBLE).
- FOR BITUMINOUS COATED CAST IRON PIPE COMPATIBILITY REACH OUT TO HILTI TECHNICAL SUPPORT FOR DETAILS.
- REFER TO PRODUCT LITERATURE FOR COMPLETE DETAILS ON INSTALLATION, SUITABLE APPLICATIONS, AND LIMITATIONS.
- FOR APPLICATIONS THAT DO NOT MEET THE CONDITIONS ABOVE, CONTACT HILTI TECHNICAL SUPPORT.
- THESE DETAILS REPRESENT GENERAL INSTALLATION GUIDELINES TO SATISFY SMOKE PARTITION SEALING REQUIREMENTS OF THE INTERNATIONAL BUILDING CODE (2009, 2012, 2015, 2018, 2021, OR 2024). OBTAIN AUTHORITY HAVING JURISDICTION APPROVAL PRIOR TO INSTALLATION.



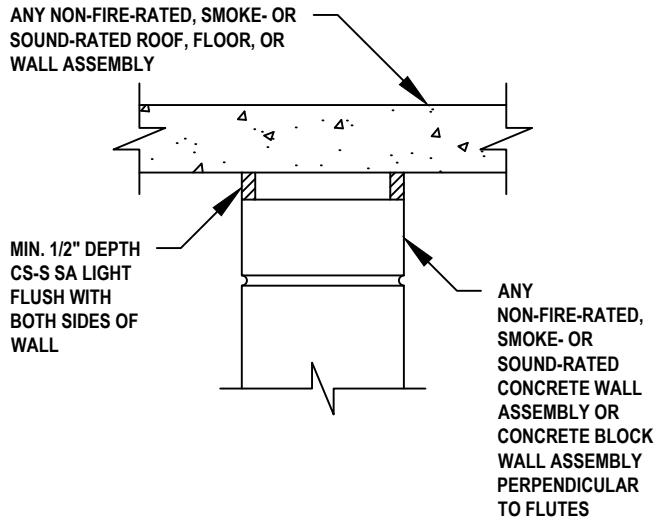
HILTI, Inc.  
Plano, Texas USA (800) 879-8000

Sheet	1 of 3
Scale	7/64" = 1"
Date	Jan. 29, 2024

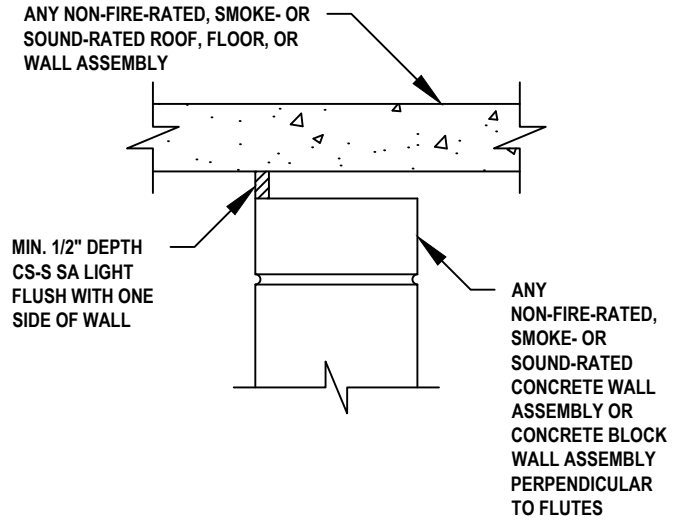
Drawing No.  
**J-SALIGHT  
1b**

# JOINT DETAILS FOR NON FIRE-RATED SMOKE PARTITIONS (EXAMPLES)

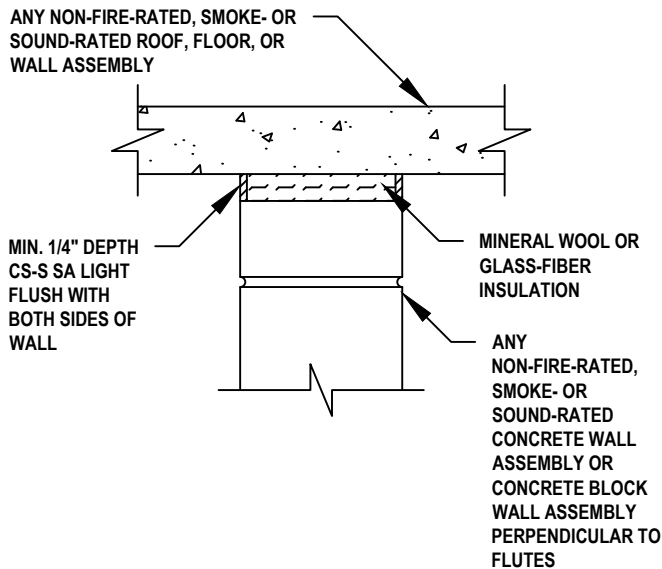
## TWO-SIDED APPLICATIONS (HEAD-OF-WALL OR WALL-TO-WALL)



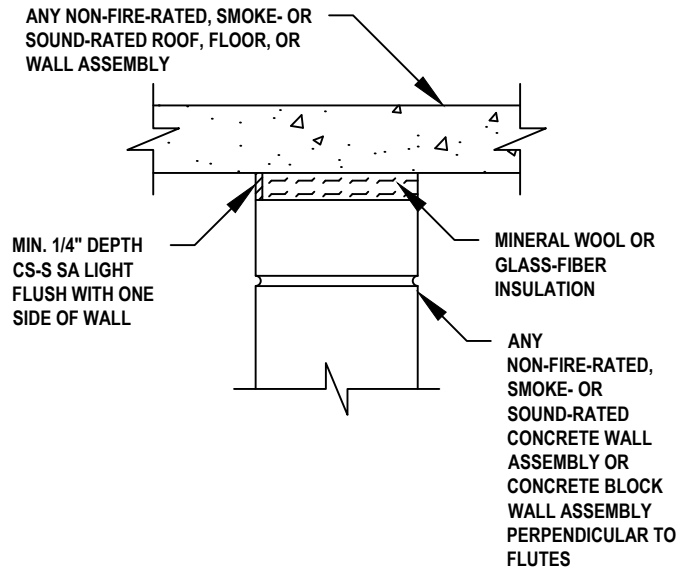
## ONE-SIDED APPLICATIONS (HEAD-OF-WALL OR WALL-TO-WALL)



## TWO-SIDED APPLICATIONS (HEAD-OF-WALL OR WALL-TO-WALL)



## ONE-SIDED APPLICATIONS (HEAD-OF-WALL OR WALL-TO-WALL)



**NOTES :**

- HILTI CS-S SA LIGHT SMOKE AND ACOUSTIC LIGHTWEIGHT SEALANT MAY BE INSTALLED WHERE IT IS NECESSARY TO RESTRICT SMOKE MIGRATION THROUGH NON FIRE-RATED ASSEMBLIES.
- NOT FOR FIRE-RATED ASSEMBLIES.
- LUBRIZOL CPVC COMPATIBLE (FBC™ SYSTEM COMPATIBLE).
- FOR BITUMINOUS COATED CAST IRON PIPE COMPATIBILITY REACH OUT TO HILTI TECHNICAL SUPPORT FOR DETAILS.
- REFER TO PRODUCT LITERATURE FOR COMPLETE DETAILS ON INSTALLATION, SUITABLE APPLICATIONS, AND LIMITATIONS.
- FOR APPLICATIONS THAT DO NOT MEET THE CONDITIONS ABOVE, CONTACT HILTI TECHNICAL SUPPORT.
- THESE DETAILS REPRESENT GENERAL INSTALLATION GUIDELINES TO SATISFY SMOKE PARTITION SEALING REQUIREMENTS OF THE INTERNATIONAL BUILDING CODE (2009, 2012, 2015, 2018, 2021, OR 2024). OBTAIN AUTHORITY HAVING JURISDICTION APPROVAL PRIOR TO INSTALLATION.



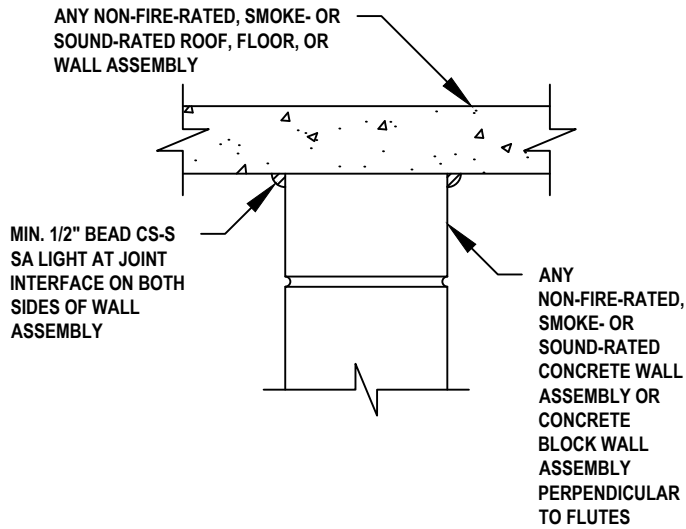
HILTI, Inc.  
Plano, Texas USA (800) 879-8000

Sheet	2 of 3
Scale	7/64" = 1"
Date	Jan. 29, 2024

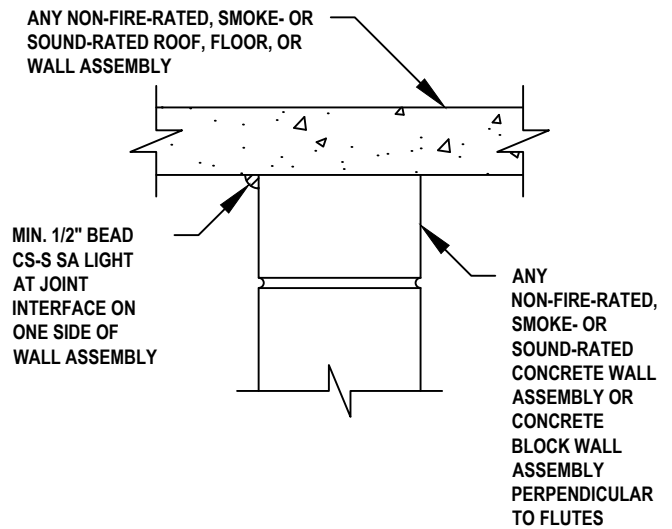
Drawing No.  
**J-SALIGHT**  
**1b**

# JOINT DETAILS FOR NON FIRE-RATED SMOKE PARTITIONS (EXAMPLES)

## TWO-SIDED APPLICATIONS (HEAD-OF-WALL OR WALL-TO-WALL)



## ONE-SIDED APPLICATIONS (HEAD-OF-WALL OR WALL-TO-WALL)



**NOTES :**

- HILTI CS-S SA LIGHT SMOKE AND ACOUSTIC LIGHTWEIGHT SEALANT MAY BE INSTALLED WHERE IT IS NECESSARY TO RESTRICT SMOKE MIGRATION THROUGH NON FIRE-RATED ASSEMBLIES.
- NOT FOR FIRE-RATED ASSEMBLIES.
- LUBRIZOL CPVC COMPATIBLE (FBC™ SYSTEM COMPATIBLE).
- FOR BITUMINOUS COATED CAST IRON PIPE COMPATIBILITY REACH OUT TO HILTI TECHNICAL SUPPORT FOR DETAILS.
- REFER TO PRODUCT LITERATURE FOR COMPLETE DETAILS ON INSTALLATION, SUITABLE APPLICATIONS, AND LIMITATIONS.
- FOR APPLICATIONS THAT DO NOT MEET THE CONDITIONS ABOVE, CONTACT HILTI TECHNICAL SUPPORT.
- THESE DETAILS REPRESENT GENERAL INSTALLATION GUIDELINES TO SATISFY SMOKE PARTITION SEALING REQUIREMENTS OF THE INTERNATIONAL BUILDING CODE (2009, 2012, 2015, 2018, 2021 OR 2024). OBTAIN AUTHORITY HAVING JURISDICTION APPROVAL PRIOR TO INSTALLATION.



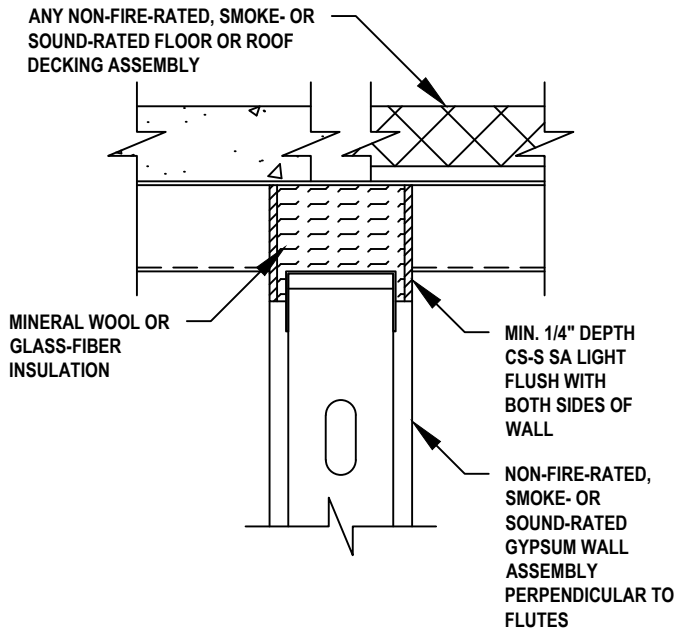
HILTI, Inc.  
 Plano, Texas USA (800) 879-8000

Sheet	3 of 3
Scale	7/64" = 1"
Date	Jan. 29, 2024

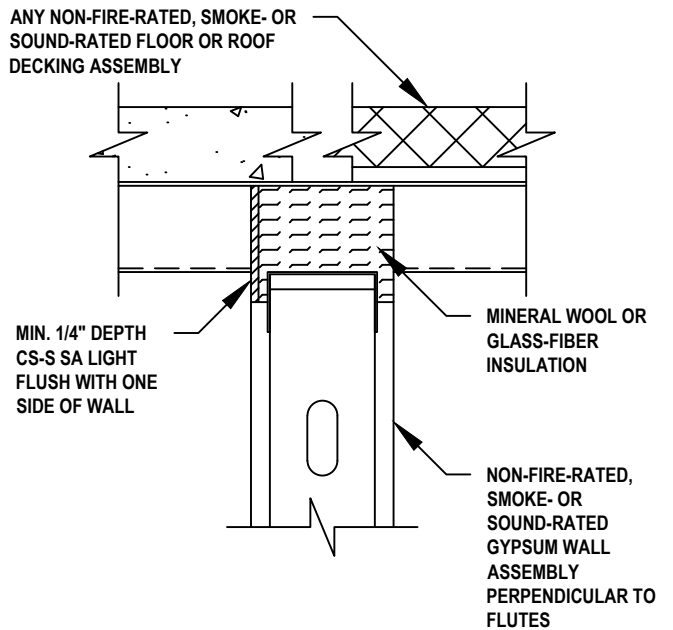
Drawing No.  
**J-SALIGHT**  
**1b**

# JOINT DETAILS FOR NON FIRE-RATED SMOKE PARTITIONS (EXAMPLES)

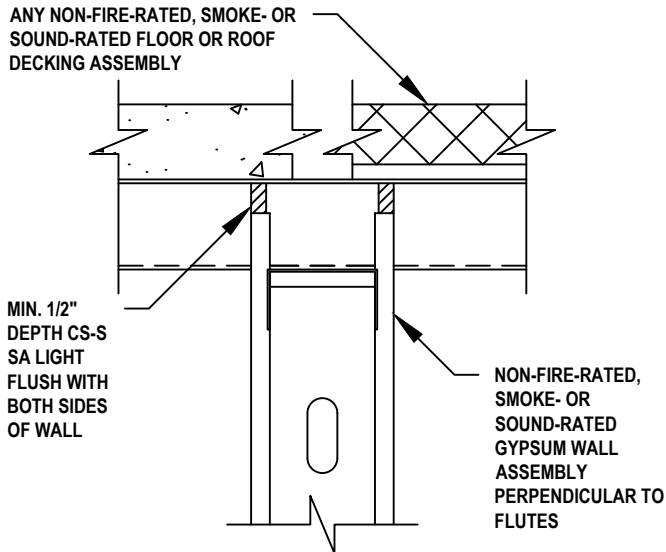
## TWO-SIDED APPLICATIONS (HEAD-OF-WALL)



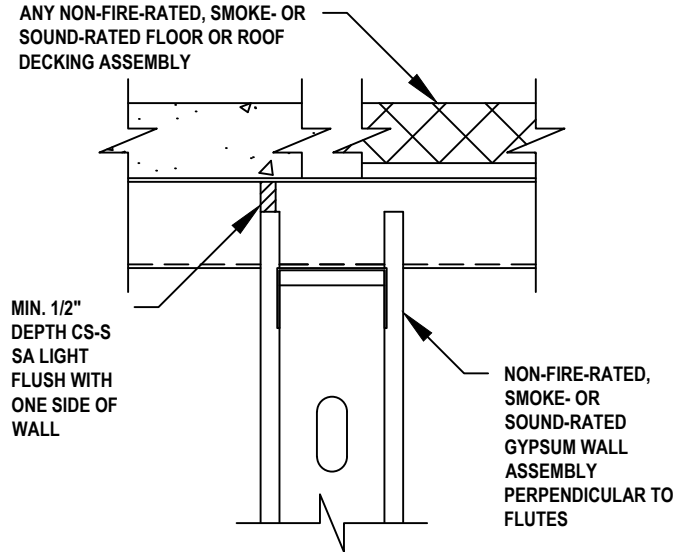
## ONE-SIDED APPLICATIONS (HEAD-OF-WALL)



## TWO-SIDED APPLICATIONS (HEAD-OF-WALL)



## ONE-SIDED APPLICATIONS (HEAD-OF-WALL)



**NOTES :**

- HILTI CS-S SA LIGHT SMOKE AND ACOUSTIC LIGHTWEIGHT SEALANT MAY BE INSTALLED WHERE IT IS NECESSARY TO RESTRICT SMOKE MIGRATION THROUGH NON FIRE-RATED ASSEMBLIES.
- NOT FOR FIRE-RATED ASSEMBLIES.
- LUBRIZOL CPVC COMPATIBLE (FBC™ SYSTEM COMPATIBLE).
- FOR BITUMINOUS COATED CAST IRON PIPE COMPATIBILITY REACH OUT TO HILTI TECHNICAL SUPPORT FOR DETAILS.
- REFER TO PRODUCT LITERATURE FOR COMPLETE DETAILS ON INSTALLATION, SUITABLE APPLICATIONS, AND LIMITATIONS.
- FOR APPLICATIONS THAT DO NOT MEET THE CONDITIONS ABOVE, CONTACT HILTI TECHNICAL SUPPORT.
- THESE DETAILS REPRESENT GENERAL INSTALLATION GUIDELINES TO SATISFY SMOKE PARTITION SEALING REQUIREMENTS OF THE INTERNATIONAL BUILDING CODE (2009, 2012, 2015, 2018, 2021, OR 2024). OBTAIN AUTHORITY HAVING JURISDICTION APPROVAL PRIOR TO INSTALLATION.



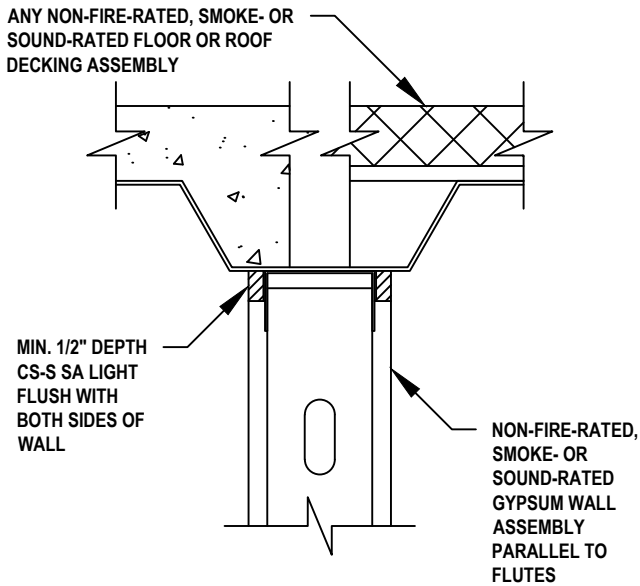
HILTI, Inc.  
Plano, Texas USA (800) 879-8000

Sheet	1 of 3
Scale	7/64" = 1"
Date	Jan. 29, 2024

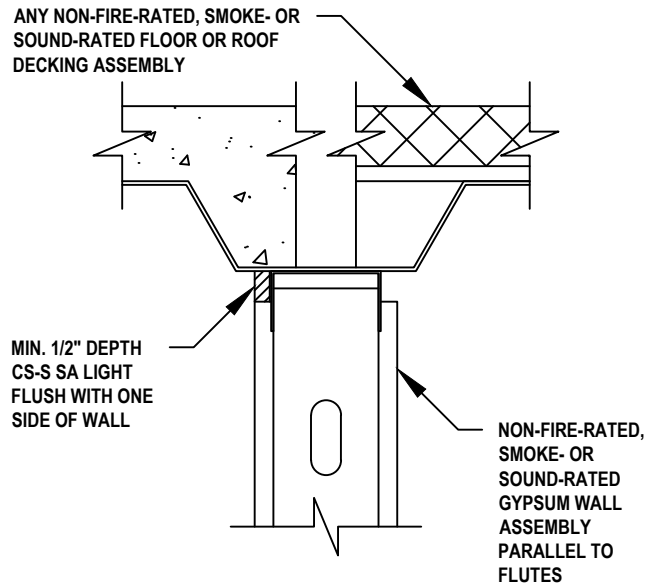
Drawing No.  
**J-SALIGHT  
2b**

# JOINT DETAILS FOR NON FIRE-RATED SMOKE PARTITIONS (EXAMPLES)

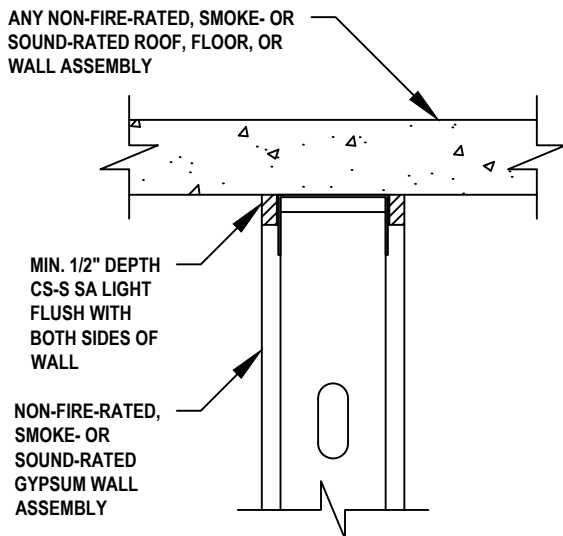
## TWO-SIDED APPLICATIONS (HEAD-OF-WALL)



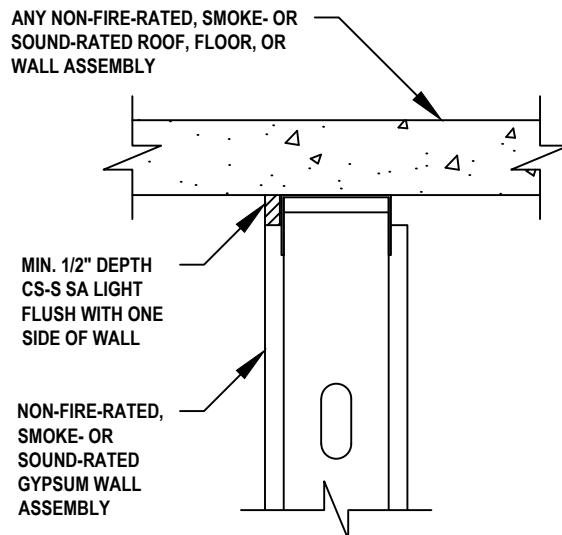
## ONE-SIDED APPLICATIONS (HEAD-OF-WALL)



## TWO-SIDED APPLICATIONS (HEAD-OF-WALL, WALL-TO-WALL, OR BOTTOM-OF-WALL)



## ONE-SIDED APPLICATIONS (HEAD-OF-WALL, WALL-TO-WALL, OR BOTTOM-OF-WALL)



**NOTES :**

- HILTI CS-S SA LIGHT SMOKE AND ACOUSTIC LIGHTWEIGHT SEALANT MAY BE INSTALLED WHERE IT IS NECESSARY TO RESTRICT SMOKE MIGRATION THROUGH NON FIRE-RATED ASSEMBLIES.
- NOT FOR FIRE-RATED ASSEMBLIES.
- LUBRIZOL CPVC COMPATIBLE (FBC™ SYSTEM COMPATIBLE).
- FOR BITUMINOUS COATED CAST IRON PIPE COMPATIBILITY REACH OUT TO HILTI TECHNICAL SUPPORT FOR DETAILS.
- REFER TO PRODUCT LITERATURE FOR COMPLETE DETAILS ON INSTALLATION, SUITABLE APPLICATIONS, AND LIMITATIONS.
- FOR APPLICATIONS THAT DO NOT MEET THE CONDITIONS ABOVE, CONTACT HILTI TECHNICAL SUPPORT.
- THESE DETAILS REPRESENT GENERAL INSTALLATION GUIDELINES TO SATISFY SMOKE PARTITION SEALING REQUIREMENTS OF THE INTERNATIONAL BUILDING CODE (2009, 2012, 2015, 2018, 2021, OR 2024). OBTAIN AUTHORITY HAVING JURISDICTION APPROVAL PRIOR TO INSTALLATION.



HILTI, Inc.  
 Plano, Texas USA (800) 879-8000

Sheet	2 of 3
Scale	7/64" = 1"
Date	Jan. 29, 2024

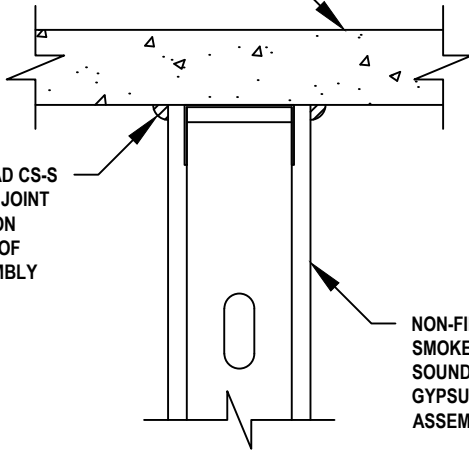
Drawing No.  
**J-SALIGHT  
 2b**

# JOINT DETAILS FOR NON FIRE-RATED SMOKE PARTITIONS (EXAMPLES)



## TWO-SIDED APPLICATIONS (HEAD-OF-WALL, WALL-TO-WALL, OR BOTTOM-OF-WALL)

ANY NON-FIRE-RATED, SMOKE- OR  
SOUND-RATED ROOF, FLOOR, OR  
WALL ASSEMBLY

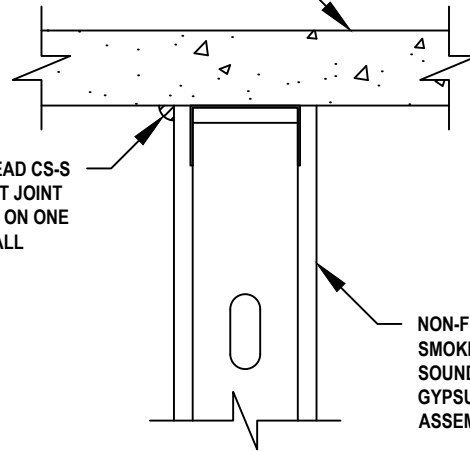


MIN. 1/2" BEAD CS-S  
SA LIGHT AT JOINT  
INTERFACE ON  
BOTH SIDES OF  
WALL ASSEMBLY

NON-FIRE-RATED,  
SMOKE- OR  
SOUND-RATED  
GYPSUM WALL  
ASSEMBLY

## ONE-SIDED APPLICATIONS (HEAD-OF-WALL, WALL-TO-WALL, OR BOTTOM-OF-WALL)

ANY NON-FIRE-RATED, SMOKE- OR  
SOUND-RATED ROOF, FLOOR, OR  
WALL ASSEMBLY



MIN. 1/2" BEAD CS-S  
SA LIGHT AT JOINT  
INTERFACE ON ONE  
SIDE OF WALL  
ASSEMBLY

NON-FIRE-RATED,  
SMOKE- OR  
SOUND-RATED  
GYPSUM WALL  
ASSEMBLY

J-SALIGHT-3a.030221

### NOTES :

- HILTI CS-S SA LIGHT SMOKE AND ACOUSTIC LIGHTWEIGHT SEALANT MAY BE INSTALLED WHERE IT IS NECESSARY TO RESTRICT SMOKE MIGRATION THROUGH NON FIRE-RATED ASSEMBLIES.
- NOT FOR FIRE-RATED ASSEMBLIES.
- LUBRIZOL CPVC COMPATIBLE (FBC™ SYSTEM COMPATIBLE).
- FOR BITUMINOUS COATED CAST IRON PIPE COMPATIBILITY REACH OUT TO HILTI TECHNICAL SUPPORT FOR DETAILS.
- REFER TO PRODUCT LITERATURE FOR COMPLETE DETAILS ON INSTALLATION, SUITABLE APPLICATIONS, AND LIMITATIONS.
- FOR APPLICATIONS THAT DO NOT MEET THE CONDITIONS ABOVE, CONTACT HILTI TECHNICAL SUPPORT.
- THESE DETAILS REPRESENT GENERAL INSTALLATION GUIDELINES TO SATISFY SMOKE PARTITION SEALING REQUIREMENTS OF THE INTERNATIONAL BUILDING CODE (2009, 2012, 2015, 2018, 2021 OR 2024). OBTAIN AUTHORITY HAVING JURISDICTION APPROVAL PRIOR TO INSTALLATION.



HILTI, Inc.  
Plano, Texas USA (800) 879-8000

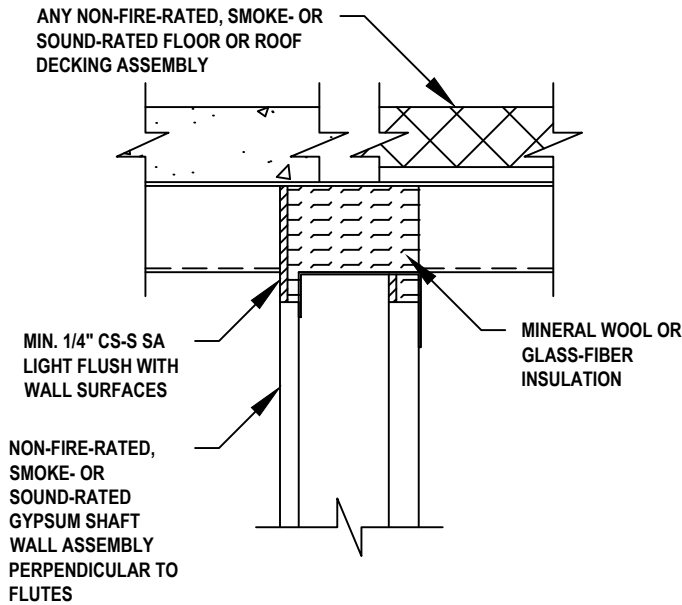
Sheet	3 of 3
Scale	7/64" = 1"
Date	Jan. 29, 2024

Drawing No.  
**J-SALIGHT  
2b**

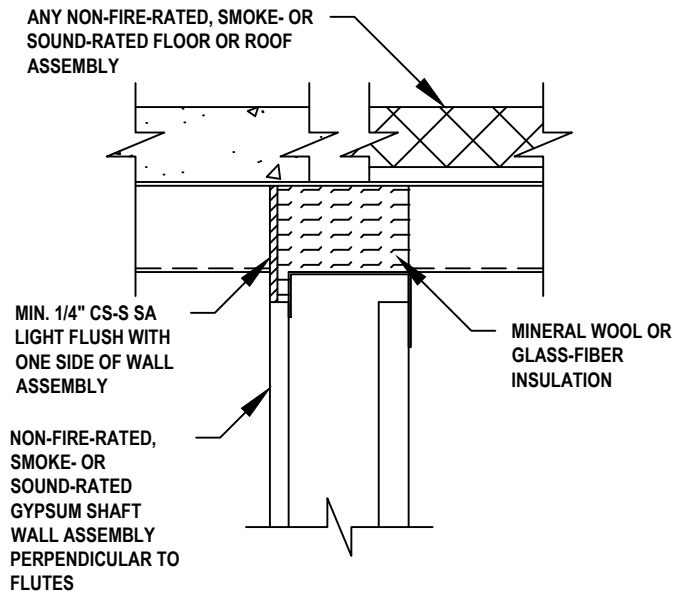
*Saving Lives through Innovation and Education*

# JOINT DETAILS FOR NON FIRE-RATED SMOKE PARTITIONS (EXAMPLES)

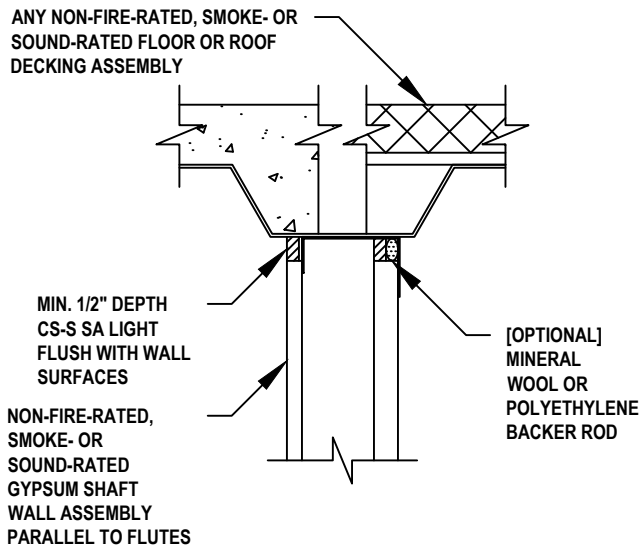
## TWO-SIDED (PHASED) APPLICATIONS (HEAD-OF-WALL)



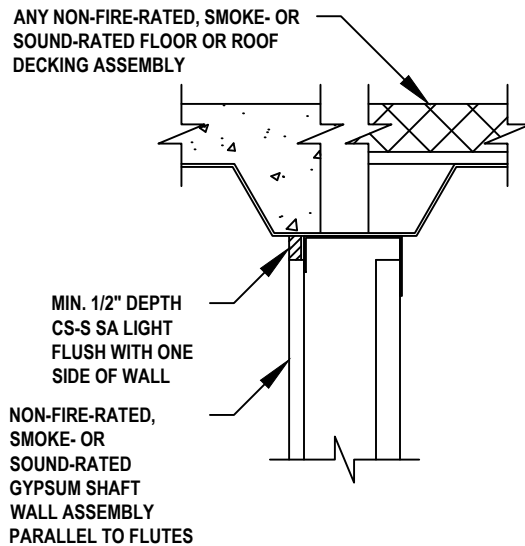
## ONE-SIDED APPLICATIONS (HEAD-OF-WALL)



## TWO-SIDED (PHASED) APPLICATIONS (HEAD-OF-WALL)



## ONE-SIDED APPLICATIONS (HEAD-OF-WALL)



**NOTES :**

- HILTI CS-S SA LIGHT SMOKE AND ACOUSTIC LIGHTWEIGHT SEALANT MAY BE INSTALLED WHERE IT IS NECESSARY TO RESTRICT SMOKE MIGRATION THROUGH NON FIRE-RATED ASSEMBLIES.
- NOT FOR FIRE-RATED ASSEMBLIES.
- LUBRIZOL CPVC COMPATIBLE (FBC™ SYSTEM COMPATIBLE).
- FOR BITUMINOUS COATED CAST IRON PIPE COMPATIBILITY REACH OUT TO HILTI TECHNICAL SUPPORT FOR DETAILS.
- REFER TO PRODUCT LITERATURE FOR COMPLETE DETAILS ON INSTALLATION, SUITABLE APPLICATIONS, AND LIMITATIONS.
- FOR APPLICATIONS THAT DO NOT MEET THE CONDITIONS ABOVE, CONTACT HILTI TECHNICAL SUPPORT.
- THESE DETAILS REPRESENT GENERAL INSTALLATION GUIDELINES TO SATISFY SMOKE PARTITION SEALING REQUIREMENTS OF THE INTERNATIONAL BUILDING CODE (2009, 2012, 2015, 2018, 2021, OR 2024). OBTAIN AUTHORITY HAVING JURISDICTION APPROVAL PRIOR TO INSTALLATION.



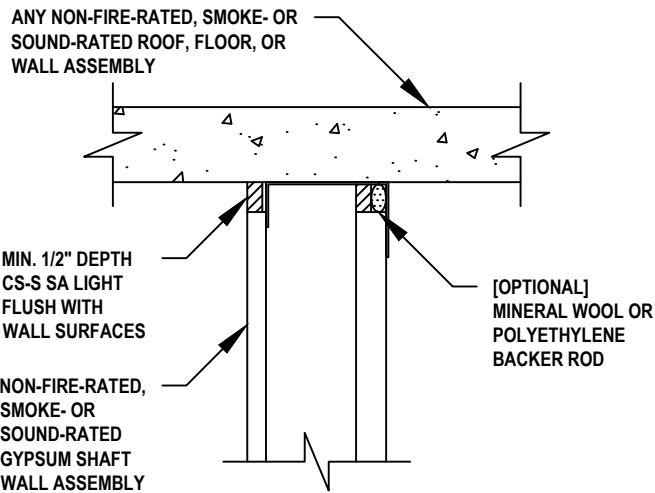
HILTI, Inc.  
 Plano, Texas USA (800) 879-8000

Sheet	1 of 2
Scale	7/64" = 1"
Date	Jan. 29, 2024

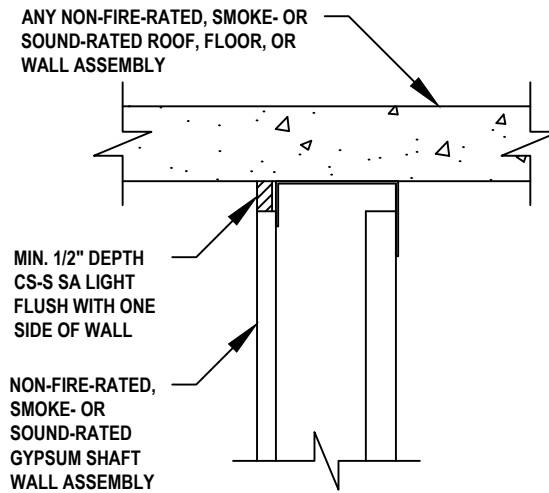
Drawing No.  
**J-SALIGHT**  
**3b**

# JOINT DETAILS FOR NON FIRE-RATED SMOKE PARTITIONS (EXAMPLES)

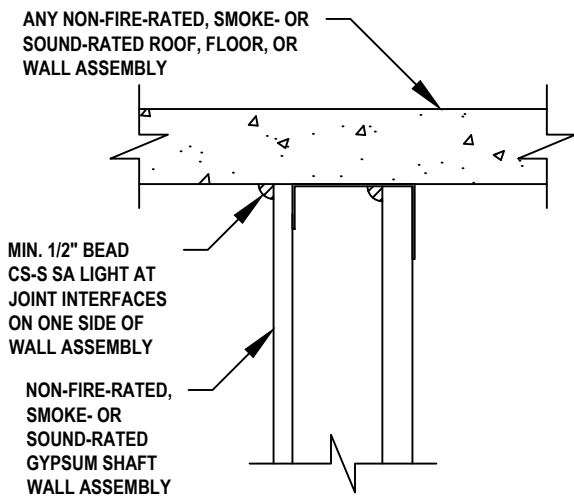
## TWO-SIDED (PHASED) APPLICATIONS (HEAD-OF-WALL, WALL-TO-WALL, OR BOTTOM-OF-WALL)



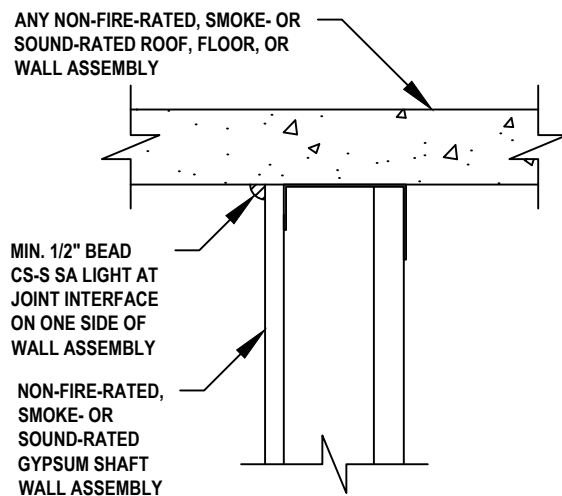
## ONE-SIDED APPLICATIONS (HEAD-OF-WALL, WALL-TO-WALL, OR BOTTOM-OF-WALL)



## TWO-SIDED (PHASED) APPLICATIONS (HEAD-OF-WALL, WALL-TO-WALL, OR BOTTOM-OF-WALL)



## ONE-SIDED APPLICATIONS (HEAD-OF-WALL, WALL-TO-WALL, OR BOTTOM-OF-WALL)



**NOTES :**

- HILTI CS-S SA LIGHT SMOKE AND ACOUSTIC LIGHTWEIGHT SEALANT MAY BE INSTALLED WHERE IT IS NECESSARY TO RESTRICT SMOKE MIGRATION THROUGH NON FIRE-RATED ASSEMBLIES.
- NOT FOR FIRE-RATED ASSEMBLIES.
- LUBRIZOL CPVC COMPATIBLE (FBC™ SYSTEM COMPATIBLE).
- FOR BITUMINOUS COATED CAST IRON PIPE COMPATIBILITY REACH OUT TO HILTI TECHNICAL SUPPORT FOR DETAILS.
- REFER TO PRODUCT LITERATURE FOR COMPLETE DETAILS ON INSTALLATION, SUITABLE APPLICATIONS, AND LIMITATIONS.
- FOR APPLICATIONS THAT DO NOT MEET THE CONDITIONS ABOVE, CONTACT HILTI TECHNICAL SUPPORT.
- THESE DETAILS REPRESENT GENERAL INSTALLATION GUIDELINES TO SATISFY SMOKE PARTITION SEALING REQUIREMENTS OF THE INTERNATIONAL BUILDING CODE (2009, 2012, 2015, 2018, 2021, OR 2024). OBTAIN AUTHORITY HAVING JURISDICTION APPROVAL PRIOR TO INSTALLATION.



HILTI, Inc.  
 Plano, Texas USA (800) 879-8000

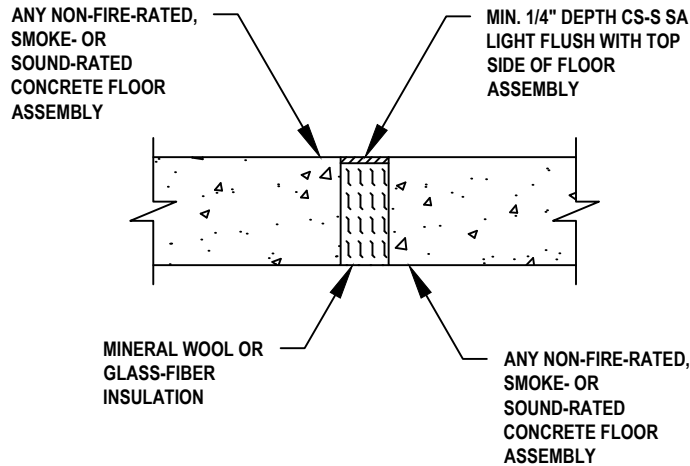
Sheet	2 of 2
Scale	7/64" = 1"
Date	Jan. 29, 2024

Drawing No.  
**J-SALIGHT**  
**3b**

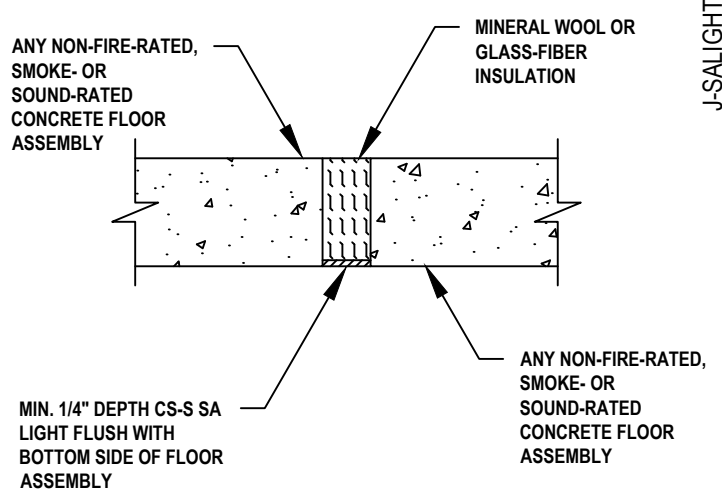


# JOINT DETAILS FOR NON FIRE-RATED SMOKE PARTITIONS (EXAMPLES)

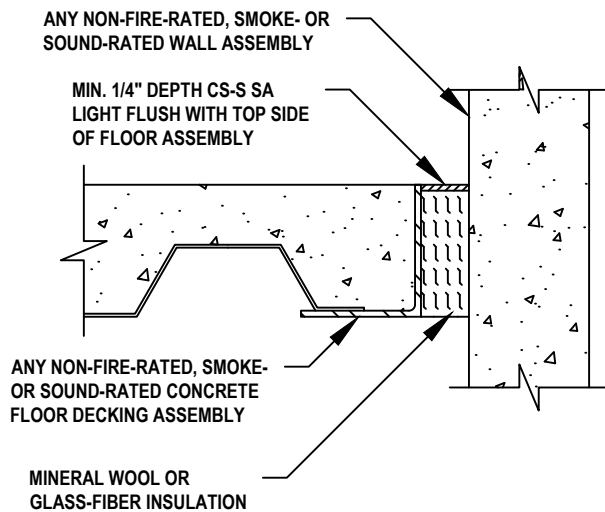
## TOP-SIDE APPLICATIONS (FLOOR-TO-FLOOR)



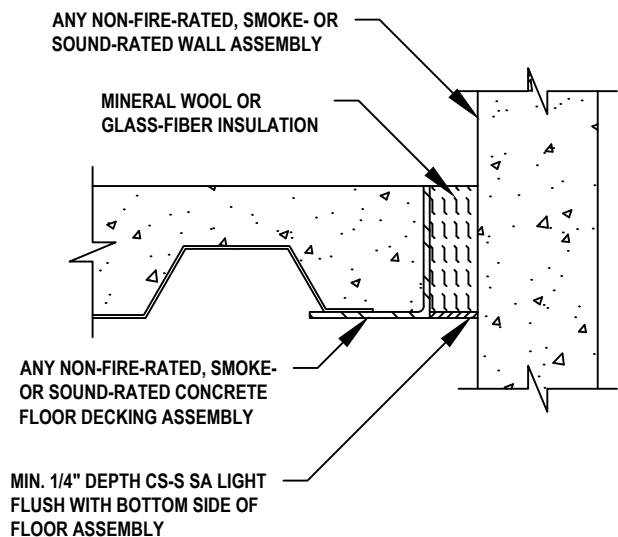
## BOTTOM-SIDE APPLICATIONS (FLOOR-TO-FLOOR)



## TOP-SIDE APPLICATIONS (FLOOR-TO-FLOOR)



## BOTTOM-SIDE APPLICATIONS (FLOOR-TO-FLOOR)



**NOTES :**

- HILTI CS-S SA LIGHT SMOKE AND ACOUSTIC LIGHTWEIGHT SEALANT MAY BE INSTALLED WHERE IT IS NECESSARY TO RESTRICT SMOKE MIGRATION THROUGH NON FIRE-RATED ASSEMBLIES.
- NOT FOR FIRE-RATED ASSEMBLIES.
- LUBRIZOL CPVC COMPATIBLE (FBC™ SYSTEM COMPATIBLE).
- FOR BITUMINOUS COATED CAST IRON PIPE COMPATIBILITY REACH OUT TO HILTI TECHNICAL SUPPORT FOR DETAILS.
- REFER TO PRODUCT LITERATURE FOR COMPLETE DETAILS ON INSTALLATION, SUITABLE APPLICATIONS, AND LIMITATIONS.
- FOR APPLICATIONS THAT DO NOT MEET THE CONDITIONS ABOVE, CONTACT HILTI TECHNICAL SUPPORT.
- THESE DETAILS REPRESENT GENERAL INSTALLATION GUIDELINES TO SATISFY SMOKE PARTITION SEALING REQUIREMENTS OF THE INTERNATIONAL BUILDING CODE (2009, 2012, 2015, 2018, 2021, OR 2024). OBTAIN AUTHORITY HAVING JURISDICTION APPROVAL PRIOR TO INSTALLATION.



HILTI, Inc.  
 Plano, Texas USA (800) 879-8000

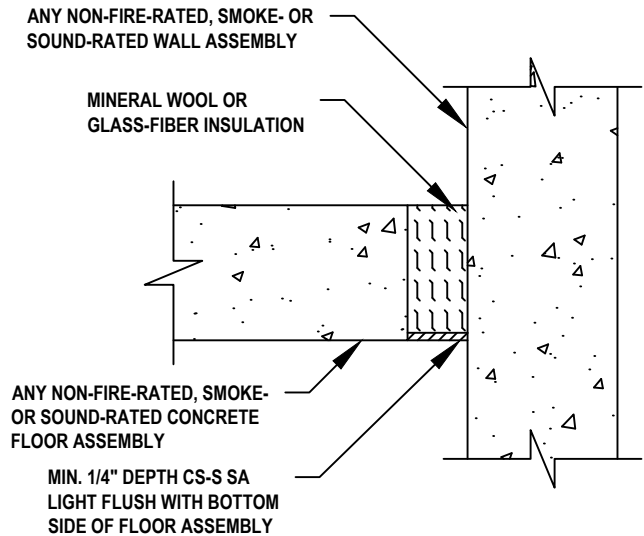
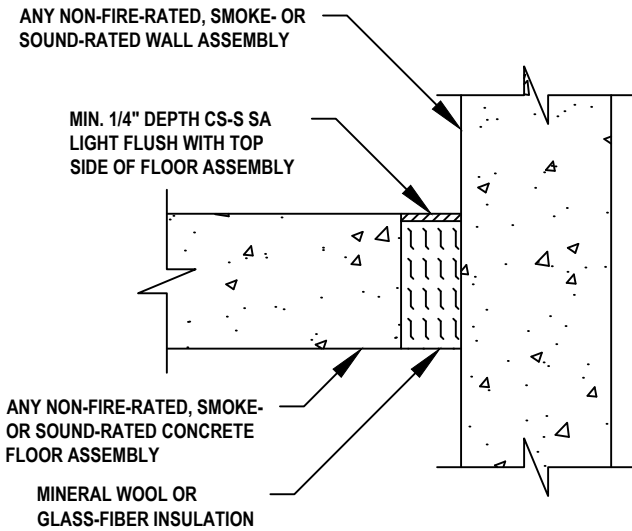
Sheet	1 of 2
Scale	7/64" = 1"
Date	Jan. 29, 2024

Drawing No.  
**J-SALIGHT**  
**4a**

# JOINT DETAILS FOR NON FIRE-RATED SMOKE PARTITIONS (EXAMPLES)

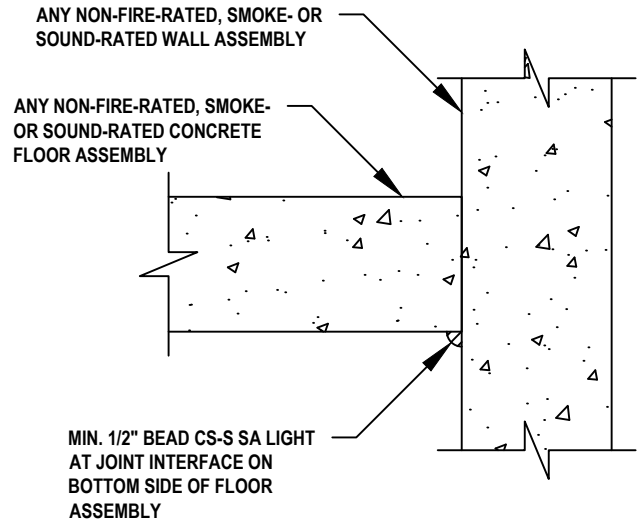
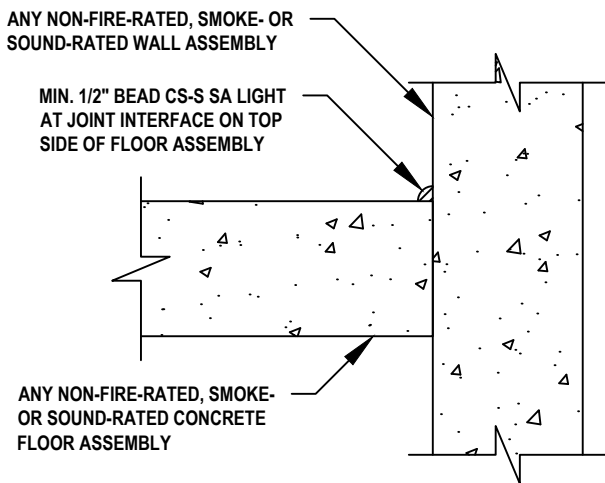
## TOP-SIDE APPLICATIONS (FLOOR-TO-FLOOR)

## BOTTOM-SIDE APPLICATIONS (FLOOR-TO-FLOOR)



## TOP-SIDE APPLICATIONS (FLOOR-TO-FLOOR)

## BOTTOM-SIDE APPLICATIONS (FLOOR-TO-FLOOR)



**NOTES :**

- HILTI CS-S SA LIGHT SMOKE AND ACOUSTIC LIGHTWEIGHT SEALANT MAY BE INSTALLED WHERE IT IS NECESSARY TO RESTRICT SMOKE MIGRATION THROUGH NON FIRE-RATED ASSEMBLIES.
- NOT FOR FIRE-RATED ASSEMBLIES.
- LUBRIZOL CPVC COMPATIBLE (FBC™ SYSTEM COMPATIBLE).
- FOR BITUMINOUS COATED CAST IRON PIPE COMPATIBILITY REACH OUT TO HILTI TECHNICAL SUPPORT FOR DETAILS.
- REFER TO PRODUCT LITERATURE FOR COMPLETE DETAILS ON INSTALLATION, SUITABLE APPLICATIONS, AND LIMITATIONS.
- FOR APPLICATIONS THAT DO NOT MEET THE CONDITIONS ABOVE, CONTACT HILTI TECHNICAL SUPPORT.
- THESE DETAILS REPRESENT GENERAL INSTALLATION GUIDELINES TO SATISFY SMOKE PARTITION SEALING REQUIREMENTS OF THE INTERNATIONAL BUILDING CODE (2009, 2012, 2015, 2018, 2021, OR 2024). OBTAIN AUTHORITY HAVING JURISDICTION APPROVAL PRIOR TO INSTALLATION.



HILTI, Inc.  
 Plano, Texas USA (800) 879-8000

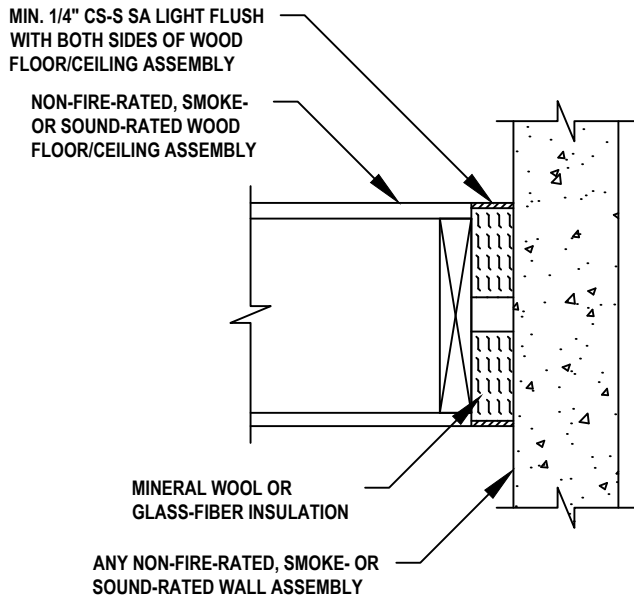
Sheet	2 of 2
Scale	7/64" = 1"
Date	Jan. 29, 2024

Drawing No.  
**J-SALIGHT**  
**4a**

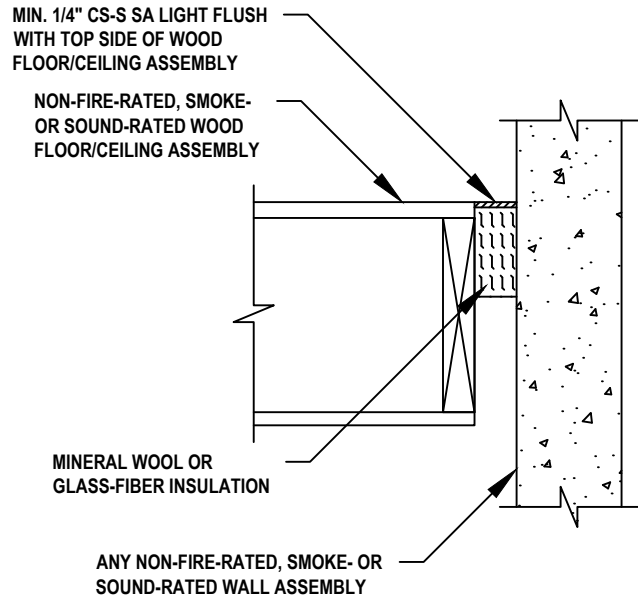
# JOINT DETAILS FOR NON FIRE-RATED SMOKE PARTITIONS (EXAMPLES)



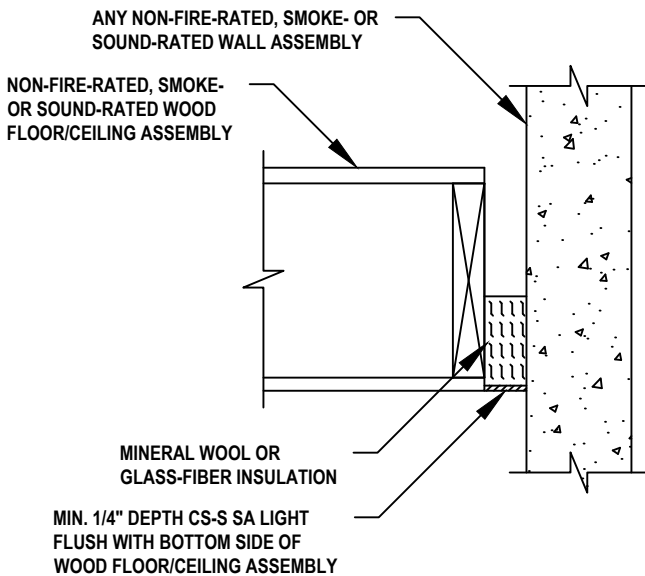
## TWO-SIDED APPLICATIONS (FLOOR-TO-WALL)



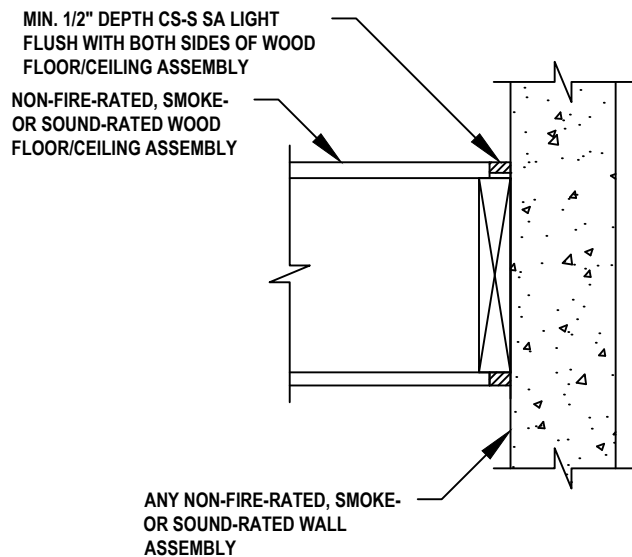
## TOP-SIDE ONLY APPLICATIONS (FLOOR-TO-WALL)



## BOTTOM-SIDE ONLY APPLICATIONS (FLOOR-TO-WALL)



## TWO-SIDED APPLICATIONS (FLOOR-TO-WALL)



J-SALIGHT-1a-030221

**NOTES :**

- HILTI CS-S SA LIGHT SMOKE AND ACOUSTIC LIGHTWEIGHT SEALANT MAY BE INSTALLED WHERE IT IS NECESSARY TO RESTRICT SMOKE MIGRATION THROUGH NON FIRE-RATED ASSEMBLIES.
- NOT FOR FIRE-RATED ASSEMBLIES.
- LUBRIZOL CPVC COMPATIBLE (FBC™ SYSTEM COMPATIBLE).
- FOR BITUMINOUS COATED CAST IRON PIPE COMPATIBILITY REACH OUT TO HILTI TECHNICAL SUPPORT FOR DETAILS.
- REFER TO PRODUCT LITERATURE FOR COMPLETE DETAILS ON INSTALLATION, SUITABLE APPLICATIONS, AND LIMITATIONS.
- FOR APPLICATIONS THAT DO NOT MEET THE CONDITIONS ABOVE, CONTACT HILTI TECHNICAL SUPPORT.
- THESE DETAILS REPRESENT GENERAL INSTALLATION GUIDELINES TO SATISFY SMOKE PARTITION SEALING REQUIREMENTS OF THE INTERNATIONAL BUILDING CODE (2009, 2012, 2015, 2018, 2021, OR 2024). OBTAIN AUTHORITY HAVING JURISDICTION APPROVAL PRIOR TO INSTALLATION.



HILTI, Inc.  
Plano, Texas USA (800) 879-8000

Sheet	1 of 3
Scale	7/64" = 1"
Date	Jan. 29, 2024

Drawing No.  
**J-SALIGHT**  
**5a**

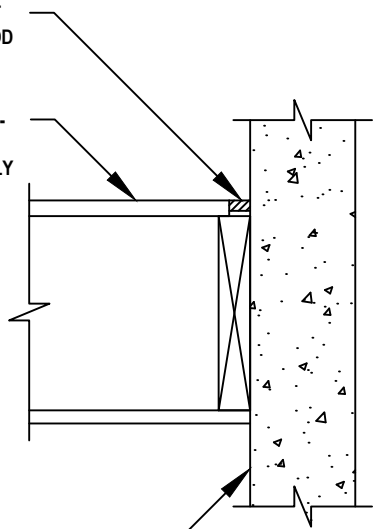
# JOINT DETAILS FOR NON FIRE-RATED SMOKE PARTITIONS (EXAMPLES)

## TOP-SIDE ONLY APPLICATIONS (FLOOR-TO-WALL)

MIN. 1/2" DEPTH CS-S SA LIGHT  
FLUSH WITH TOP SIDE OF WOOD  
FLOOR/CEILING ASSEMBLY

NON-FIRE-RATED, SMOKE-  
OR SOUND-RATED WOOD  
FLOOR/CEILING ASSEMBLY

ANY NON-FIRE-RATED, SMOKE- OR  
SOUND-RATED WALL ASSEMBLY

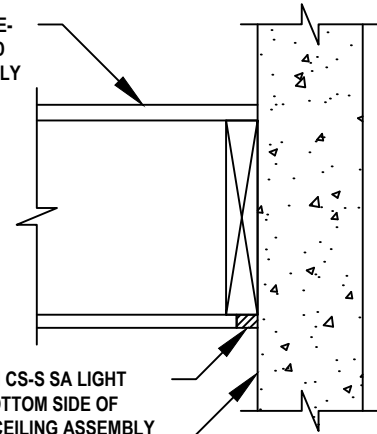


## BOTTOM-SIDE ONLY APPLICATIONS (FLOOR-TO-WALL)

NON-FIRE-RATED, SMOKE-  
OR SOUND-RATED WOOD  
FLOOR/CEILING ASSEMBLY

MIN. 1/2" DEPTH CS-S SA LIGHT  
FLUSH WITH BOTTOM SIDE OF  
WOOD FLOOR/CEILING ASSEMBLY

ANY NON-FIRE-RATED, SMOKE- OR  
SOUND-RATED WALL ASSEMBLY

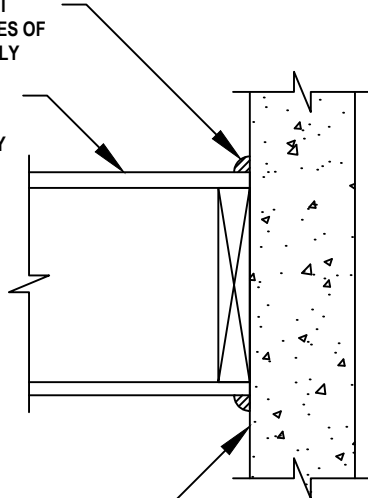


## TWO-SIDED APPLICATIONS (FLOOR-TO-WALL)

MIN. 1/2" BEAD CS-S SA LIGHT AT  
JOINT INTERFACE ON BOTH SIDES OF  
WOOD FLOOR/CEILING ASSEMBLY

NON-FIRE-RATED, SMOKE-  
OR SOUND-RATED WOOD  
FLOOR/CEILING ASSEMBLY

ANY NON-FIRE-RATED, SMOKE- OR  
SOUND-RATED WALL ASSEMBLY

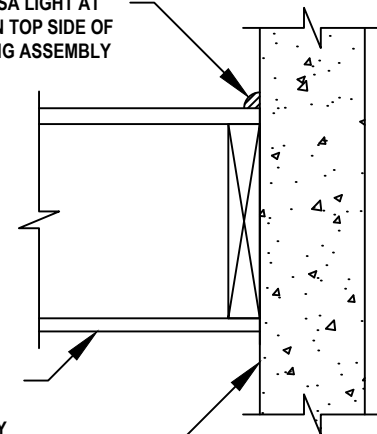


## TOP-SIDE ONLY APPLICATIONS (FLOOR-TO-WALL)

MIN. 1/2" BEAD CS-S SA LIGHT AT  
JOINT INTERFACE ON TOP SIDE OF  
WOOD FLOOR/CEILING ASSEMBLY

NON-FIRE-RATED, SMOKE-  
OR SOUND-RATED WOOD  
FLOOR/CEILING ASSEMBLY

ANY NON-FIRE-RATED, SMOKE- OR  
SOUND-RATED WALL ASSEMBLY



**NOTES :**

- HILTI CS-S SA LIGHT SMOKE AND ACOUSTIC LIGHTWEIGHT SEALANT MAY BE INSTALLED WHERE IT IS NECESSARY TO RESTRICT SMOKE MIGRATION THROUGH NON FIRE-RATED ASSEMBLIES.
- NOT FOR FIRE-RATED ASSEMBLIES.
- LUBRIZOL CPVC COMPATIBLE (FBC™ SYSTEM COMPATIBLE).
- FOR BITUMINOUS COATED CAST IRON PIPE COMPATIBILITY REACH OUT TO HILTI TECHNICAL SUPPORT FOR DETAILS.
- REFER TO PRODUCT LITERATURE FOR COMPLETE DETAILS ON INSTALLATION, SUITABLE APPLICATIONS, AND LIMITATIONS.
- FOR APPLICATIONS THAT DO NOT MEET THE CONDITIONS ABOVE, CONTACT HILTI TECHNICAL SUPPORT.
- THESE DETAILS REPRESENT GENERAL INSTALLATION GUIDELINES TO SATISFY SMOKE PARTITION SEALING REQUIREMENTS OF THE INTERNATIONAL BUILDING CODE (2009, 2012, 2015, 2018, 2021, OR 2024). OBTAIN AUTHORITY HAVING JURISDICTION APPROVAL PRIOR TO INSTALLATION.



HILTI, Inc.  
Plano, Texas USA (800) 879-8000

Sheet	2 of 3
Scale	7/64" = 1"
Date	Jan. 29, 2024

Drawing No.  
**J-SALIGHT**  
**5a**

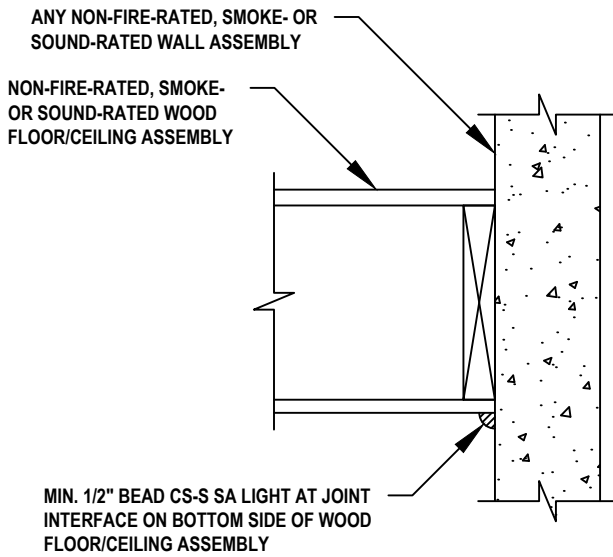
# JOINT DETAILS FOR NON FIRE-RATED SMOKE PARTITIONS (EXAMPLES)

## BOTTOM-SIDE ONLY APPLICATIONS

### (FLOOR-TO-WALL)



J-SALIGHT-1a.030221



**THIS SECTION WAS INTENTIONALLY LEFT BLANK.**

**NOTES :**

- HILTI CS-S SA LIGHT SMOKE AND ACOUSTIC LIGHTWEIGHT SEALANT MAY BE INSTALLED WHERE IT IS NECESSARY TO RESTRICT SMOKE MIGRATION THROUGH NON FIRE-RATED ASSEMBLIES.
- NOT FOR FIRE-RATED ASSEMBLIES.
- LUBRIZOL CPVC COMPATIBLE (FBC™ SYSTEM COMPATIBLE).
- FOR BITUMINOUS COATED CAST IRON PIPE COMPATIBILITY REACH OUT TO HILTI TECHNICAL SUPPORT FOR DETAILS.
- REFER TO PRODUCT LITERATURE FOR COMPLETE DETAILS ON INSTALLATION, SUITABLE APPLICATIONS, AND LIMITATIONS.
- FOR APPLICATIONS THAT DO NOT MEET THE CONDITIONS ABOVE, CONTACT HILTI TECHNICAL SUPPORT.
- THESE DETAILS REPRESENT GENERAL INSTALLATION GUIDELINES TO SATISFY SMOKE PARTITION SEALING REQUIREMENTS OF THE INTERNATIONAL BUILDING CODE (2009, 2012, 2015, 2018, 2021 OR 2024). OBTAIN AUTHORITY HAVING JURISDICTION APPROVAL PRIOR TO INSTALLATION.



HILTI, Inc.  
Plano, Texas USA (800) 879-8000

Sheet	3 of 3
Scale	7/64" = 1"
Date	Jan. 29, 2024

Drawing No.  
**J-SALIGHT**  
**5a**