



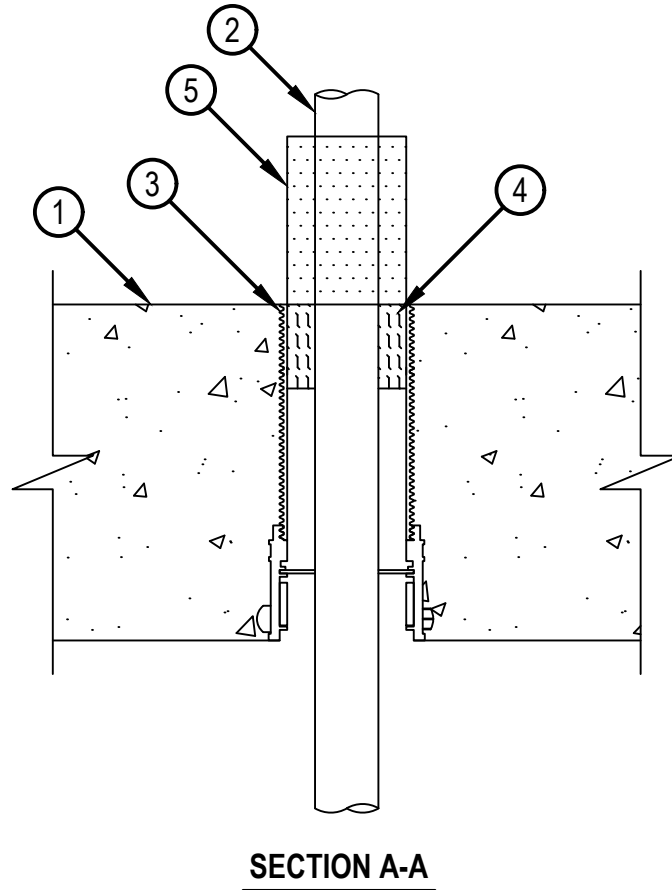
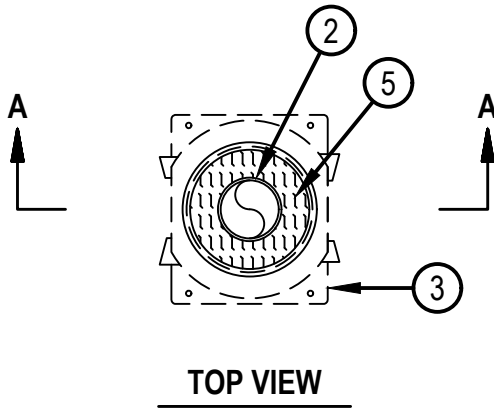
Classified by
Underwriters Laboratories, Inc.
to CAN/ULC-S115

System No. F-B-2075

F Rating — 2 Hr
FT Rating — 2 Hr
FH Rating — 2 Hr
FTH Rating — 2 Hr



FB 2075



System No. F-B-2075



FB 2075

System tested with a pressure differential of 50 Pa between the exposed and the unexposed surfaces with the higher pressure on the exposed side

1. Floor Assembly — Min 203 mm (8 in.) thick lightweight or normal weight concrete (1600-2400 kg/m³ or 100-150 pcf).
- 1A. Floor Assembly - (Not Shown) — As an alternate to Item 1, the fire rated unprotected concrete and steel floor assembly shall be constructed of the materials and in the manner specified in the individual D900 Series Designs in the Fire Resistance Directory and as summarized below:
 - A. Steel Floor and Form Units* — Composite or non-composite max 76 mm (3 in.) deep galv steel fluted units as specified in the individual Floor-Ceiling Design.
 - B. Concrete — Min 203 mm (8 in.) thick reinforced lightweight or normal weight (1600-2400 kg/m³ or 100-150 pcf) concrete.
2. Through Penetrant — One nonmetallic pipe to be centered within the firestop system. Pipe to be rigidly supported on both sides of floor assembly. The following type and size of pipes may be used:
 - A. Polypropylene (PP) Pipe — Nom 38 mm (1-1/2 in.) diam (or smaller) SDR 11 or SDR 7.4 PP pipe for use in closed (process or supply) or vented (drain, waste or vent) piping systems.
 - B. Polypropylene (PP-R) Pipe — Nom 1-1/2 in. (50 mm OD) (or smaller) Aquatherm Greenpipe SDR 7.4 or 11 for use in closed (process or supply) or vented (drain, waste or vent) piping systems.
 - C. Polypropylene (PP-RCT) Pipe — Nom 1-1/2 in. (50 mm OD) (or smaller) Aquatherm Bluepipe SDR 9 or 11 for use in closed (process or supply) or vented (drain, waste or vent) piping systems.
 - D. Polypropylene (PP-RCT) Pipe — Nom 1-1/2 in. (50 mm OD) (or smaller) Nupi Americas Niron pipe SDR 7.3, 9 or 11 for use in closed (process or supply) or vented (drain, waste or vent) piping systems.
 - E. Polypropylene (PP-RCT) Pipe — Nom 1-1/2 in. (50 mm OD) (or smaller) Aquatechnik NA Fusion-Tech pipe SDR 7.4 or 11 for use in closed (process or supply) or vented (drain, waste or vent) piping systems.
 - F. Polypropylene (PP) Pipe — Nom 1-1/2 in. (50 mm OD) (or smaller) Uponor pipe SDR 9 or 11 for use in closed (process or supply) or vented (drain, waste or vent) piping systems.
3. Firestop Device* — Cast in place firestop device permanently embedded during concrete placement or grouted in concrete assembly in accordance with accompanying installation instructions with a max 51 mm (2 in.) projection above the top surface of the concrete.
HILTI CONSTRUCTION CHEMICALS, DIV OF HILTI INC — CP 680-75/2.5"N, CP 680-P 2", CP 680-PX 2"
4. Packing Material — Min 32 mm (1-1/4 in.) in. thickness of min 64 kg/m³ (4 pcf) mineral wool batt insulation shall be firmly packed into top of device, flush with the top of the device.
5. Pipe Covering* — (Optional) - Max 13 mm (1/2 in.) thick hollow cylindrical glass fiber units with an all service jacket installed around pipe at the top of the floor and extending min 305 mm (12 in.) above floor surface or device. Longitudinal joints sealed with metal fasteners or factory-applied self-sealing lap tape. Transverse joints secured with metal fasteners or with butt tape supplied with the product.
See Pipe and Equipment Covering Materials (BRGU) category in the Building Materials Directory for names of manufacturers. Any pipe covering meeting the above specifications and bearing the UL Classification Marking with a Flame Spread Index of 25 or less and a Smoke Developed Index of 50 or less may be used.

* Indicates such products shall bear the UL or cUL Certification Mark for jurisdictions employing the UL or cUL Certification (such as Canada), respectively.



Hilti Firestop Systems

Reproduced by HILTI, Inc. Courtesy of
Underwriters Laboratories, Inc.
August 3, 2021