

TOP OF WALL JOINT : GYPSUM WALL ASSEMBLY

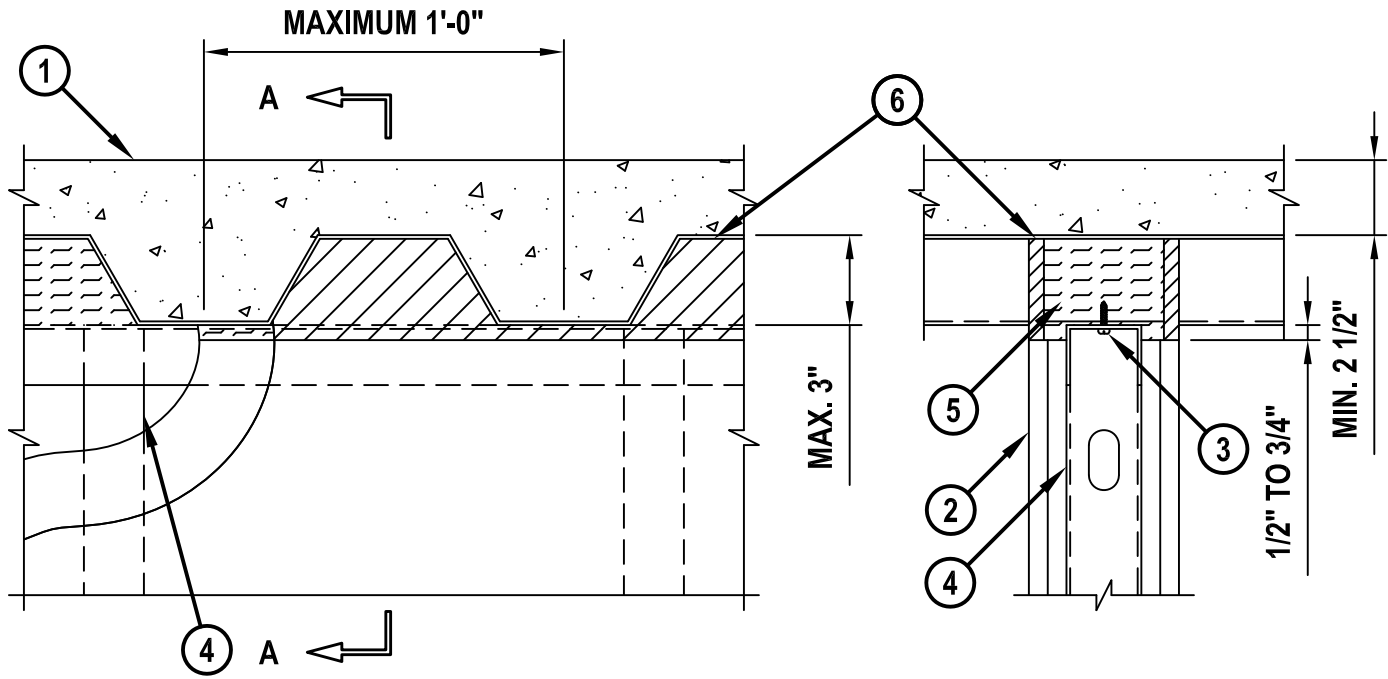
ASSEMBLY RATING = 1-HR. OR 2-HR. (DEPENDING ON RATING OF WALL AND FLOOR ASSEMBLY)

L RATING AT AMBIENT = LESS THAN 1 CFM/LINEAR FOOT

L RATING AT 400° F = LESS THAN 1 CFM/LINEAR FOOT

FRONT VIEW

SECTION A-A



HWS0036b.123014

1. LIGHTWEIGHT OR NORMAL WEIGHT CONCRETE FLOOR (MIN. 2-1/2" THICK) OVER METAL DECKING (1-HR. OR 2-HR. FIRE-RATING).
2. GYPSUM WALL ASSEMBLY (UL/cUL CLASSIFIED U400 SERIES WALL) (1-HR. OR 2-HR. FIRE-RATING) (2-HR. SHOWN).
3. METAL DEFLECTION TRACK FASTENED TO UNDERSIDE OF THE DECK. DEFLECTION TRACK SHALL HAVE 2" FLANGES AND CONSIST OF A SINGLE TRACK OR NESTED DOUBLE TRACK SYSTEM CAPABLE OF UNRESTRICTED MOVEMENT AS REQUIRED BY DESIGNER.
4. STEEL STUDS TO BE MIN. 2-1/2" WIDE. STUD SPACING SHOULD NOT EXCEED 24" CENTER TO CENTER.
5. MIN. 2-3/4" OR 4" THICKNESS MINERAL WOOL SAFING (MIN. 4 PCF DENSITY), FOR 1-HR. OR 2-HR. FIRE-RATED WALLS RESPECTIVELY, TO BE FIRMLY PACKED INTO FLUTES AND RECESSED 1/2" ON EACH SIDE OF WALL TO ACCOMMODATE SEALANT.
6. MINIMUM 1/2" DEPTH HILTI FS-ONE MAX OR FS-ONE ON BOTH SIDES OF WALL ASSEMBLY.



HILTI, Inc.
Tulsa, Oklahoma USA (800) 879-8000

Sheet	1 of 1
Scale	5/32" = 1"
Date	Dec. 30, 2014

Drawing No.
**HWS
0036b**