

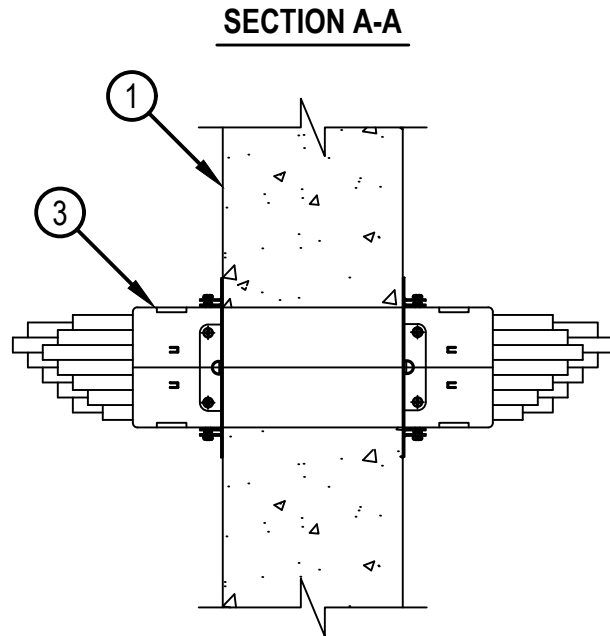
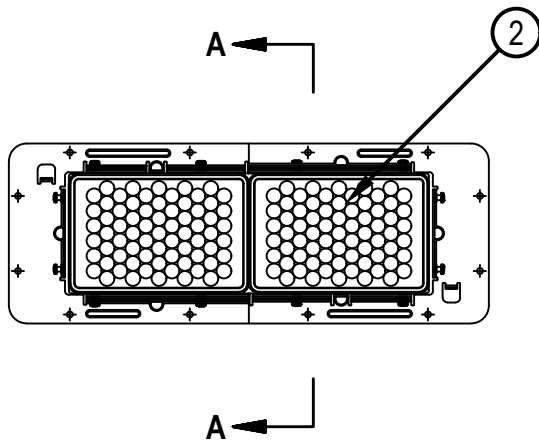


Classified by Underwriters Laboratories, Inc. to UL 1479 and CAN/ULC-S115

# System No. W-J-3277

WJ 3277

ANSI/UL1479 (ASTM E814)	CAN/ULC S115
F Ratings – 2 Hr	F Ratings – 2 Hr
T Ratings - 1/2, 1 Hr	FT Ratings - 1/2, 1 Hr
L Rating at Ambient – Less than 1 to 3 CFM/Device (See Item 3)	FH Ratings – 2 Hr
L Rating at 400 F – Less than 1 to 1.6 CFM/Device (See Item 3)	FTH Ratings - 1/2, 1 Hr
	L Rating at Ambient – Less than 0.47 to 1.41 L/s/Device (See Item 3)
	L Rating at Ambient – Less than 0.47 to 1.41 L/s/Device (See Item 3)



Reproduced by HILTI, Inc. Courtesy of Underwriters Laboratories, Inc. September 13, 2022

1. Wall Assembly — Min 6 in. (152 mm) thick reinforced lightweight or normal weight (100-150 pcf or 1600-2400 kg/m<sup>3</sup>) concrete. Wall may also be constructed of any UL Classified Concrete Blocks\*. Opening to be max 12-1/4 in. (311 mm) x 4-1/8 in. (104.8 mm). See Concrete Blocks (CAZT) in the Fire Resistance Directory for names of manufacturers.
2. Cables — Within the loading area for each firestop device, the cables may represent a 0 to 100 percent visual fill. Cables to be tightly bundled within the device and rigidly supported on both sides of wall assembly. Any combination of the following types of cables may be used:
  - A. Max 100 pair No. 24 AWG (or smaller) copper conductor telecommunication cable with polyvinyl chloride (PVC) jacketing and insulation.
  - B. Max 7/C No. 12 AWG copper conductor control cable with PVC or XLPE jacket and insulation.
  - C. Max 4/0 AWG Type RHH ground cable.
  - D. Max 4 pr No. 23 AWG Cat 7 computer cables.
  - E. Max RG 6/U coaxial cable with fluorinated ethylene insulation and jacketing.
  - F. Fiber optic cable with polyvinyl chloride (PVC) or polyethylene (PE) jacket and insulation having a max diam of 1/2 in. (13 mm).
  - G. Max 20/C No. 22 AWG shielded printer cable with PVC jacket.
  - H. Max. 1/4 in. (6 mm) diameter S-Video Cable consisting of 2 max 24 AWG 75 ohm coax or twisted pair cable with PE insulation and PVC jacket .
  - I. Through-Penetrating Product\* — Two copper conductors No. 18 AWG (or smaller) Power or Non Power Limited Fire Alarm Cable with or without a jacket under a metal armor.  
AFC CABLE SYSTEMS INC
  - J. Max 3/C No 12 AWG MC Cable.
  - K. Through Penetrating Product\* — Any cables, Armored Cable+ or Metal Clad Cable+ currently Classified under the Through Penetrating Product category. See Through Penetrating Product (XHLY) category in the Fire Resistance Directory for names of manufacturers  
The T, FT, and FTH Ratings are 1 hr, except that when Item 2K is used, the T, FT, and FTH Ratings are 1/2 hr.
3. Firestop Device\* — Firestop devices each consist of a rectangular outer steel sleeve formed with two half housings, connected and secured together with metal tabs and a metal hooks. Multiple Firestop devices connected together with ganging clips and installed in accordance with the accompanying installation instructions. Devices slid into wall such that ends project an equal distance from the approximate centerline of the wall assembly. The annular space between the device and the periphery of the opening shall be min 0 in. (point contact) to maximum 1/4 in. (6.4 mm). Devices are installed adjacent to one another with gaskets and flanges installed on both sides of wall and tightened per accompanying installation instructions.

The L Ratings are dependent on the type and number of devices within the gang plate and the cable type and fill. The L Ratings are expressed in CFM per device. A rating of less than one shall be considered as 1 CFM when more than one module is installed.

# System No. W-J-3277

WJ 3277

Device	Max Cable Fill	Cable Type	L-Rating (CFM)	
			Ambient	400°F
CFS-MSL S	0%	-	Less than 1	Less than 1
CFS-MSL S	1-25%	2B, 2D, 2E, 2G, 2H, 2L	1.1	1.5
CFS-MSL S	26-50%	2B, 2D, 2E, 2G, 2H, 2L	1.1	Less than 1
CFS-MSL S	51-75%	2B, 2D, 2E, 2G, 2H, 2L	1.8	Less than 1
CFS-MSL S	76-100%	2D, 2E, 2G, 2H, 2L	1.8	1.2
CFS-MSL M	0%	-	1.1	Less than 1
CFS-MSL M	1-25%	2B, 2D, 2E, 2G, 2H, 2L	1.8	Less than 1
CFS-MSL M	26-50%	2B, 2D, 2E, 2G, 2H, 2L	1.9	Less than 1
CFS-MSL M	51-75%	2B, 2D, 2E, 2G, 2H, 2L	1.9	Less than 1
CFS-MSL M	76-100%	2B, 2D, 2E, 2G, 2H, 2L	2.2	1.1
CFS-MSL L	0%	2B, 2D, 2E, 2G, 2H, 2L	1.2	Less than 1
CFS-MSL L	1-25%	2B, 2D, 2E, 2G, 2H, 2L	1.8	1.1
CFS-MSL L	26-50%	2B, 2D, 2E, 2G, 2H, 2L	2.2	1.0
CFS-MSL L	51-75%	2B, 2D, 2E, 2G, 2H, 2L	2.6	1.4
CFS-MSL L	76-100%	2B, 2D, 2E, 2G, 2H, 2L	3.0	1.6

HILTI CONSTRUCTION CHEMICALS, DIV OF HILTI INC — CFS-MSL L 6" x 4", CFS-MSL M 3" x 4", CFS-MSL S 3" x 2" Modular Sleeve;  
CFS-MSL GPR 9" X 4", CFS-MSL GPR 12" x 4" Retrofit Gangplate

\* Indicates such products shall bear the UL or cUL Certification Mark for jurisdictions employing the UL or cUL Certification (such as Canada), respectively.

+Bearing the UL Listing Mark



Reproduced by HILTI, Inc. Courtesy of  
Underwriters Laboratories, Inc.  
September 13, 2022