
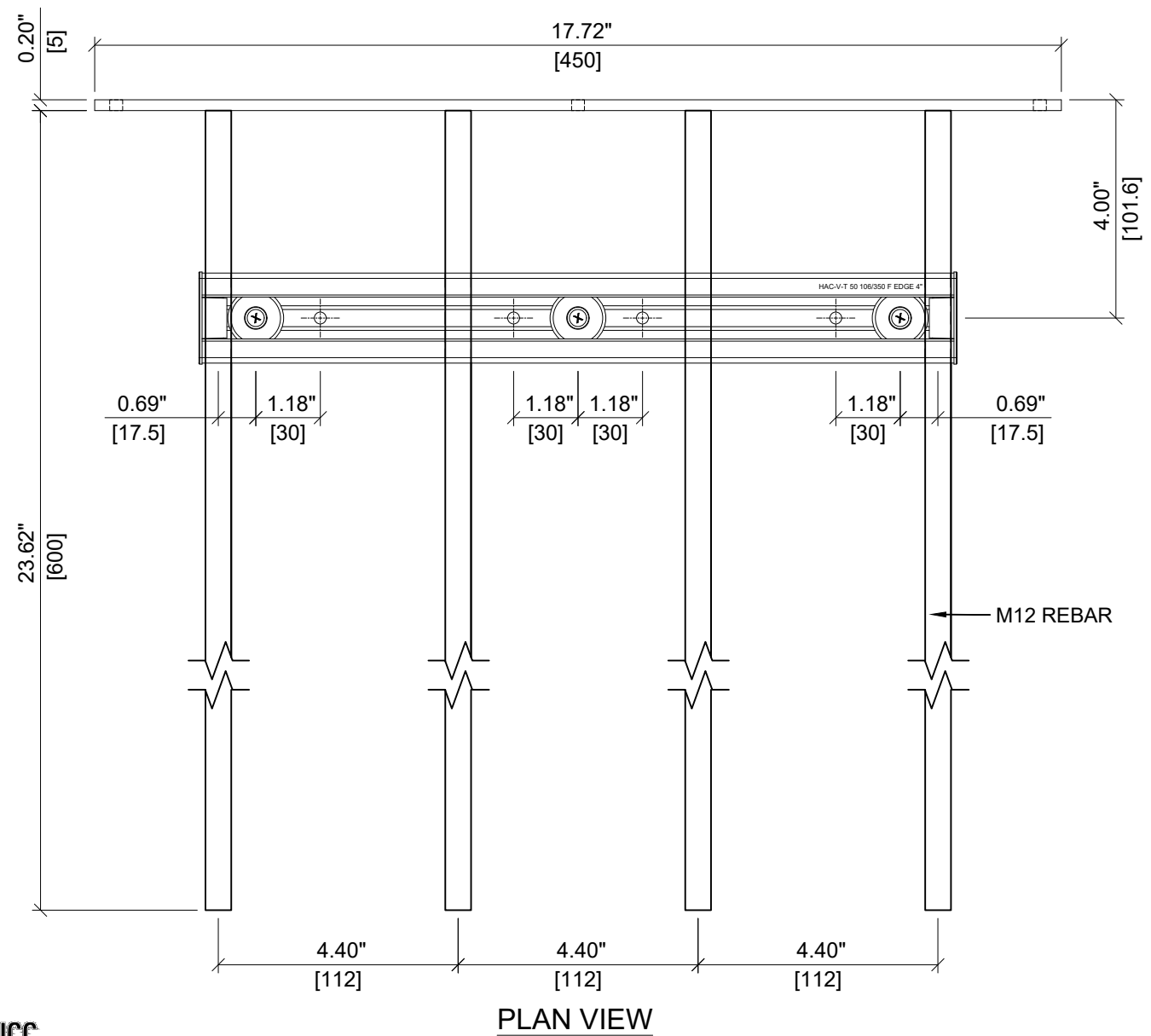
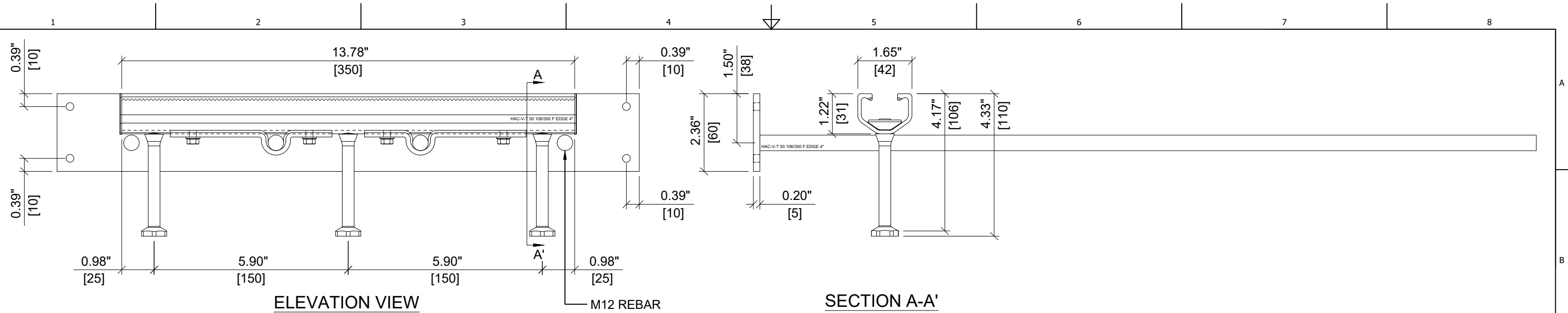
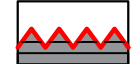
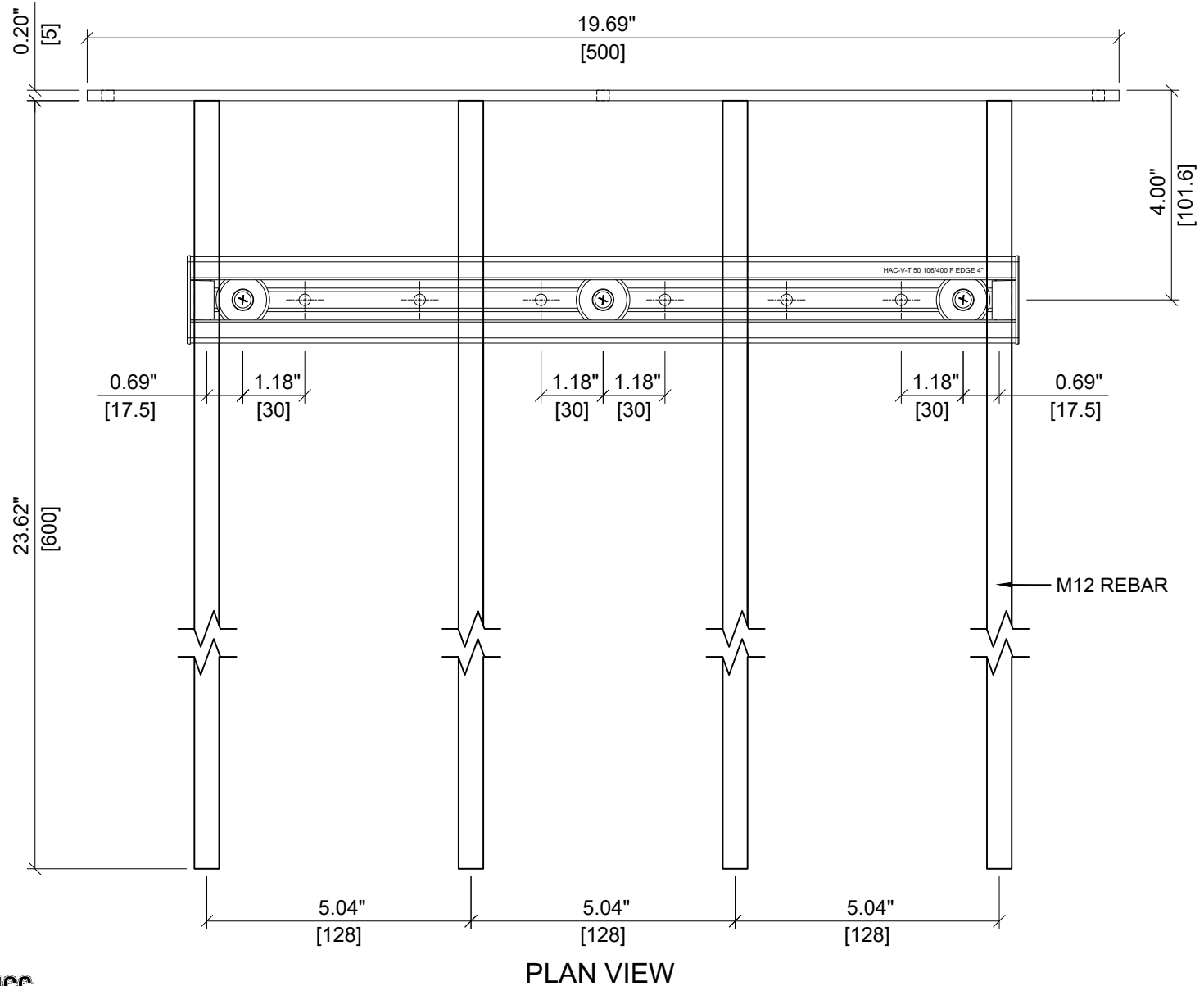
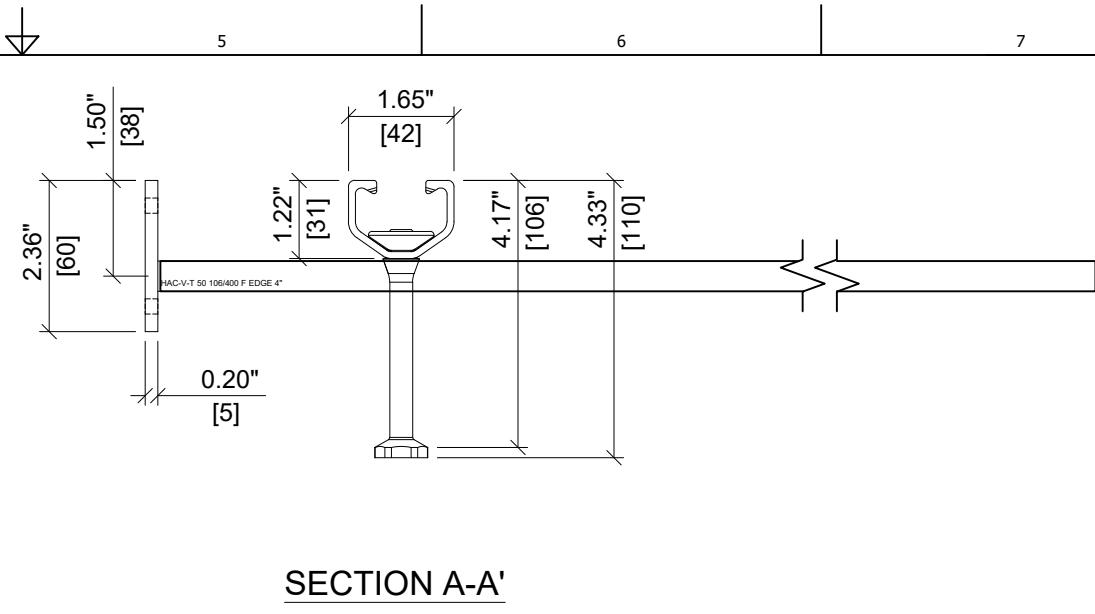
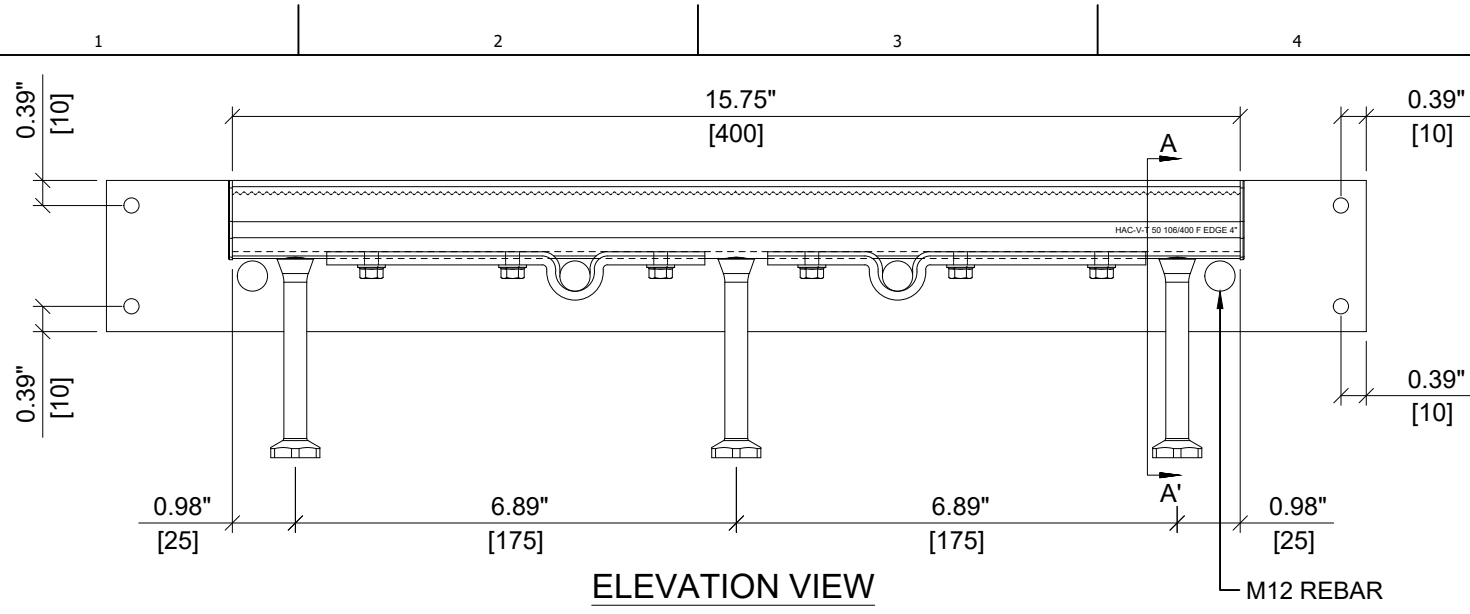


HILTI	
ITEM NUMBER: 2366615	CHANNEL LIP: SERRATED 
ITEM DESCRIPTION: HAC-V-T 50 106/300 F EDGE 4"	



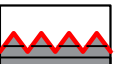
ITEM NUMBER: 2366616	CHANNEL LIP: SERRATED 
--------------------------------	---

ITEM DESCRIPTION:
HAC-V-T 50 106/350 F EDGE 4"



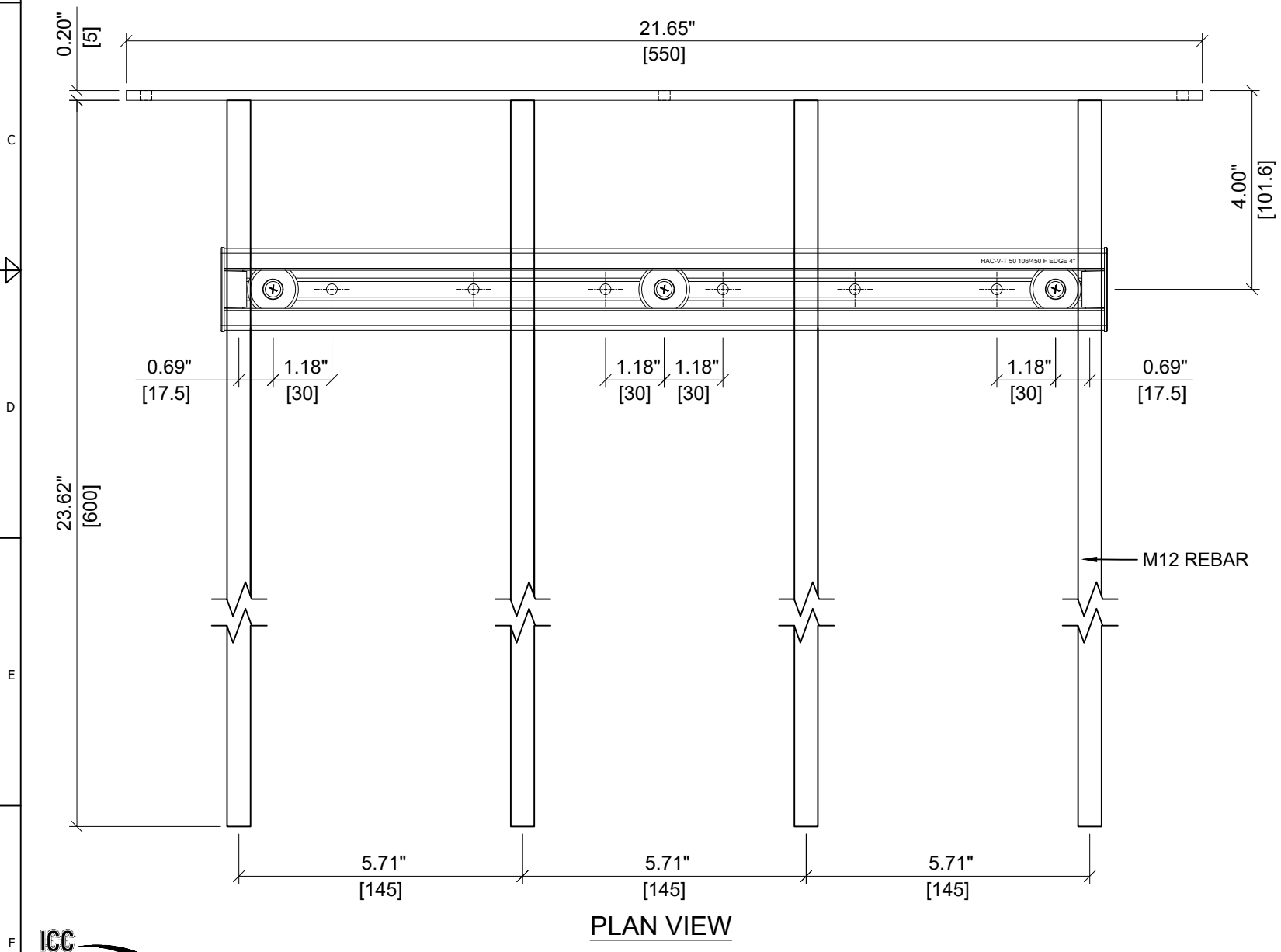
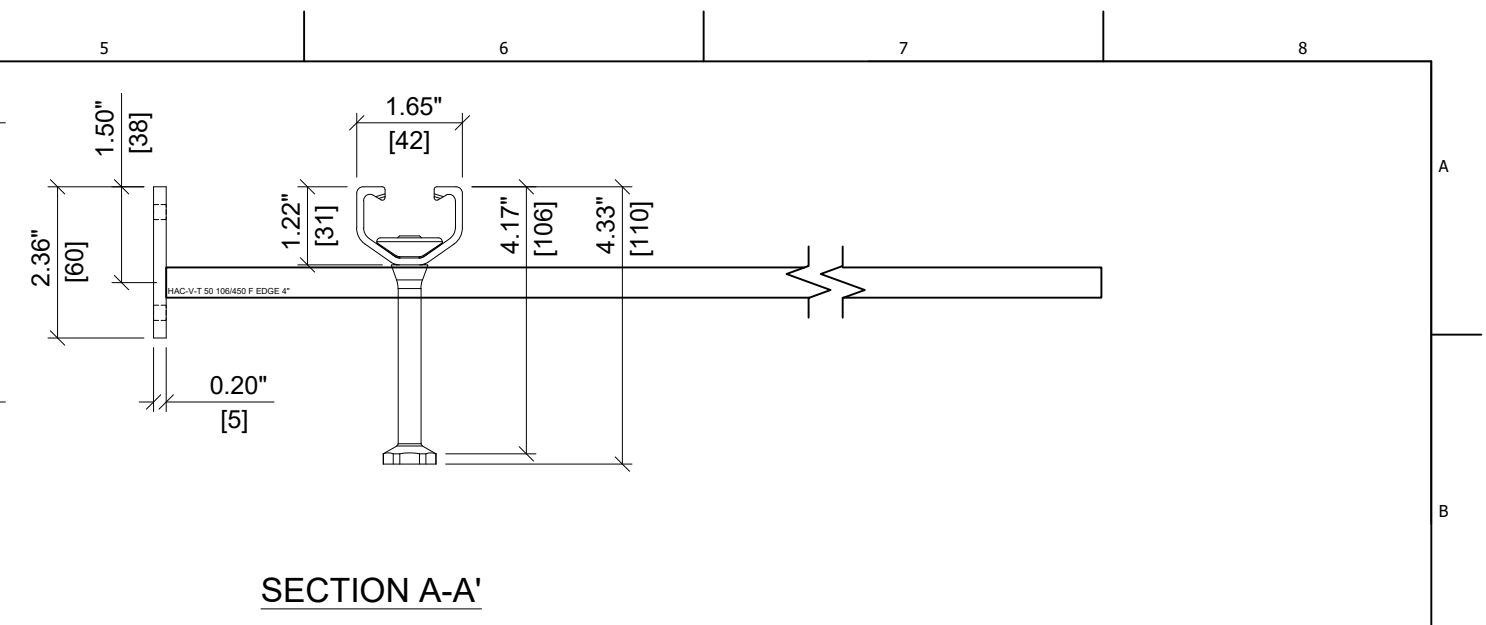
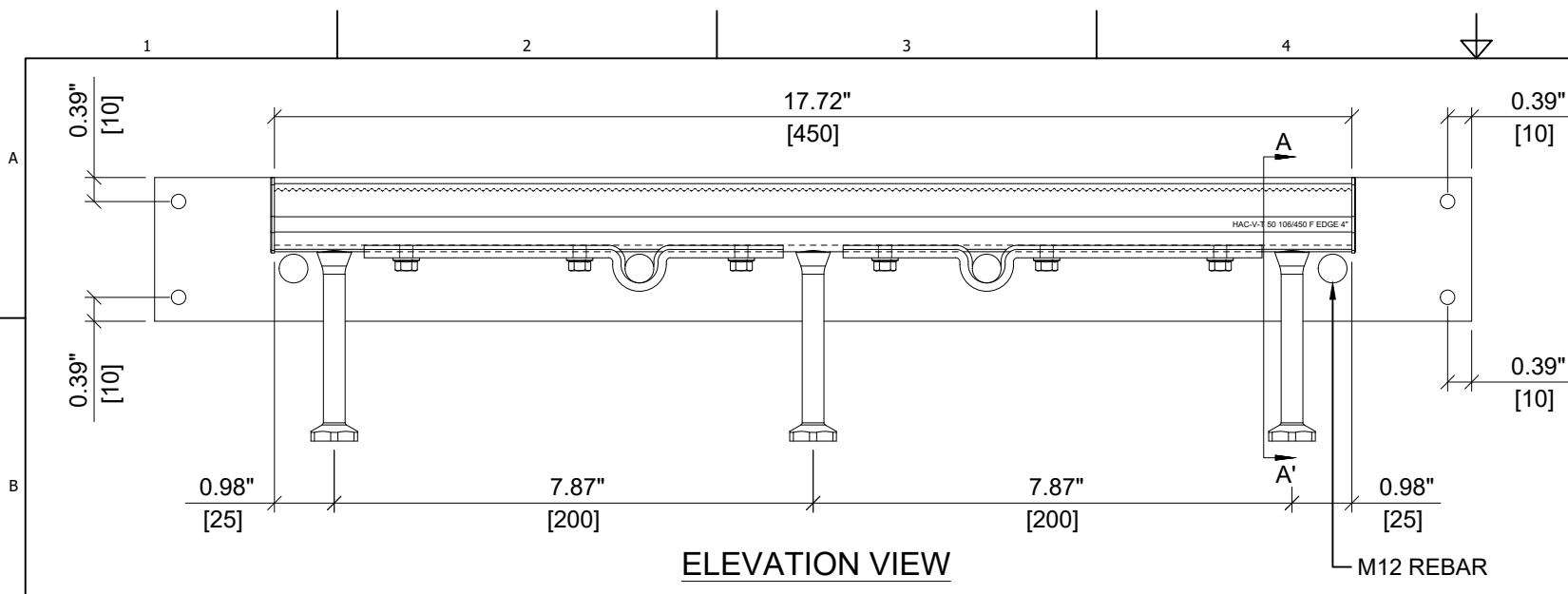
HILTI

ITEM NUMBER: 2366617

CHANNEL LIP: SERRATED 

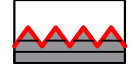
ITEM DESCRIPTION: HAC-V-T 50 106/400 F EDGE 4"

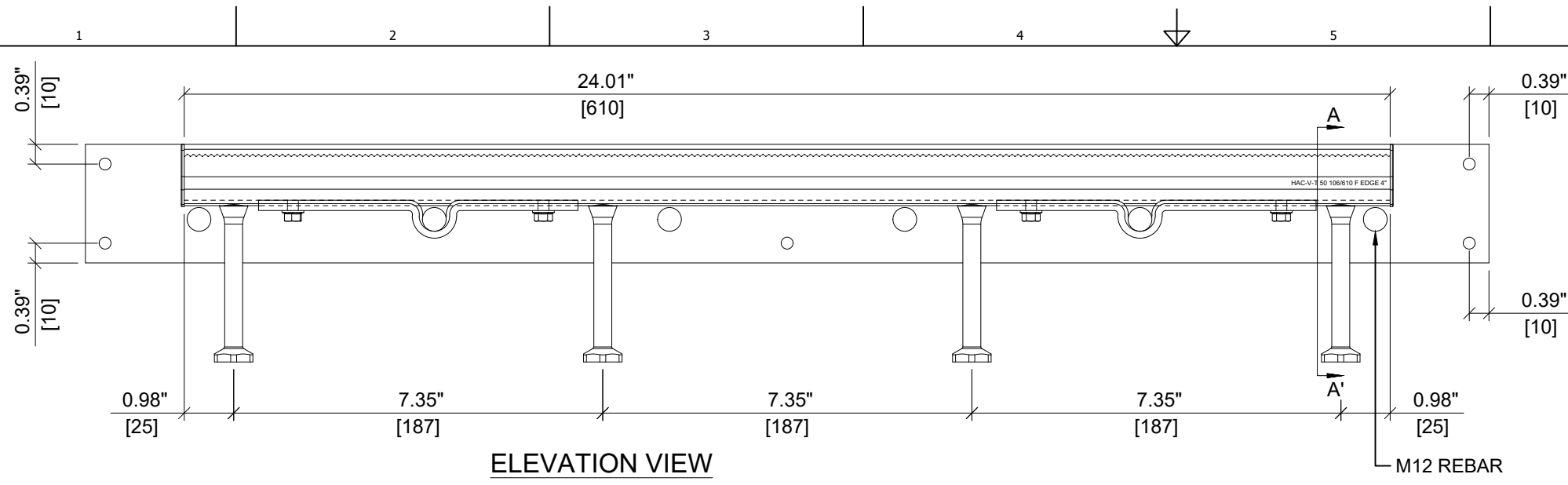




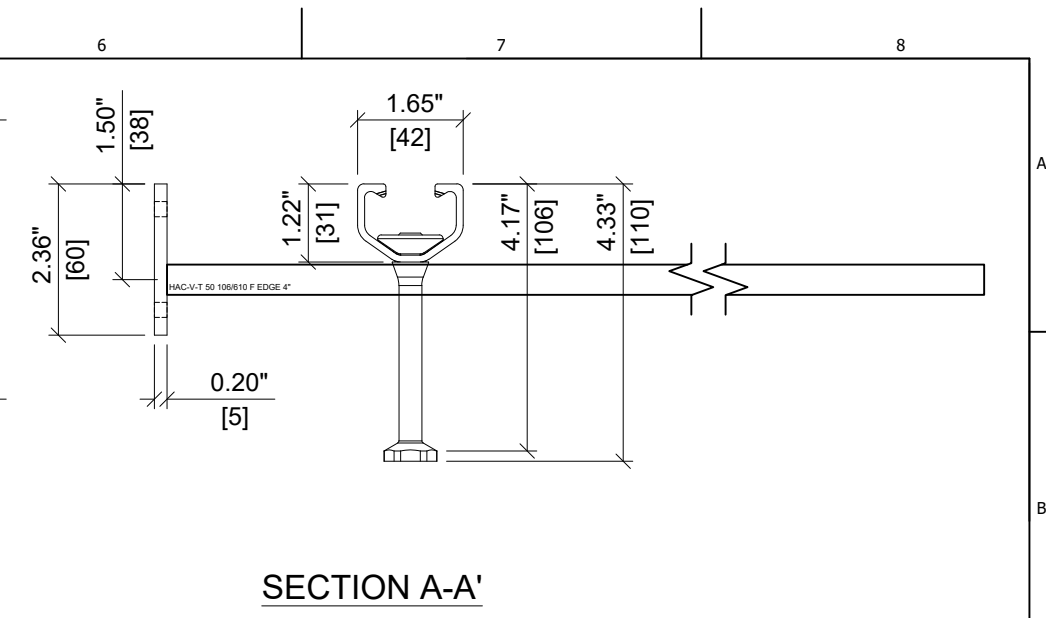
HILTI

ITEM NUMBER: 2366618	CHANNEL LIP: SERRATED
ITEM DESCRIPTION: HAC-V-T 50 106/450 F EDGE 4"	

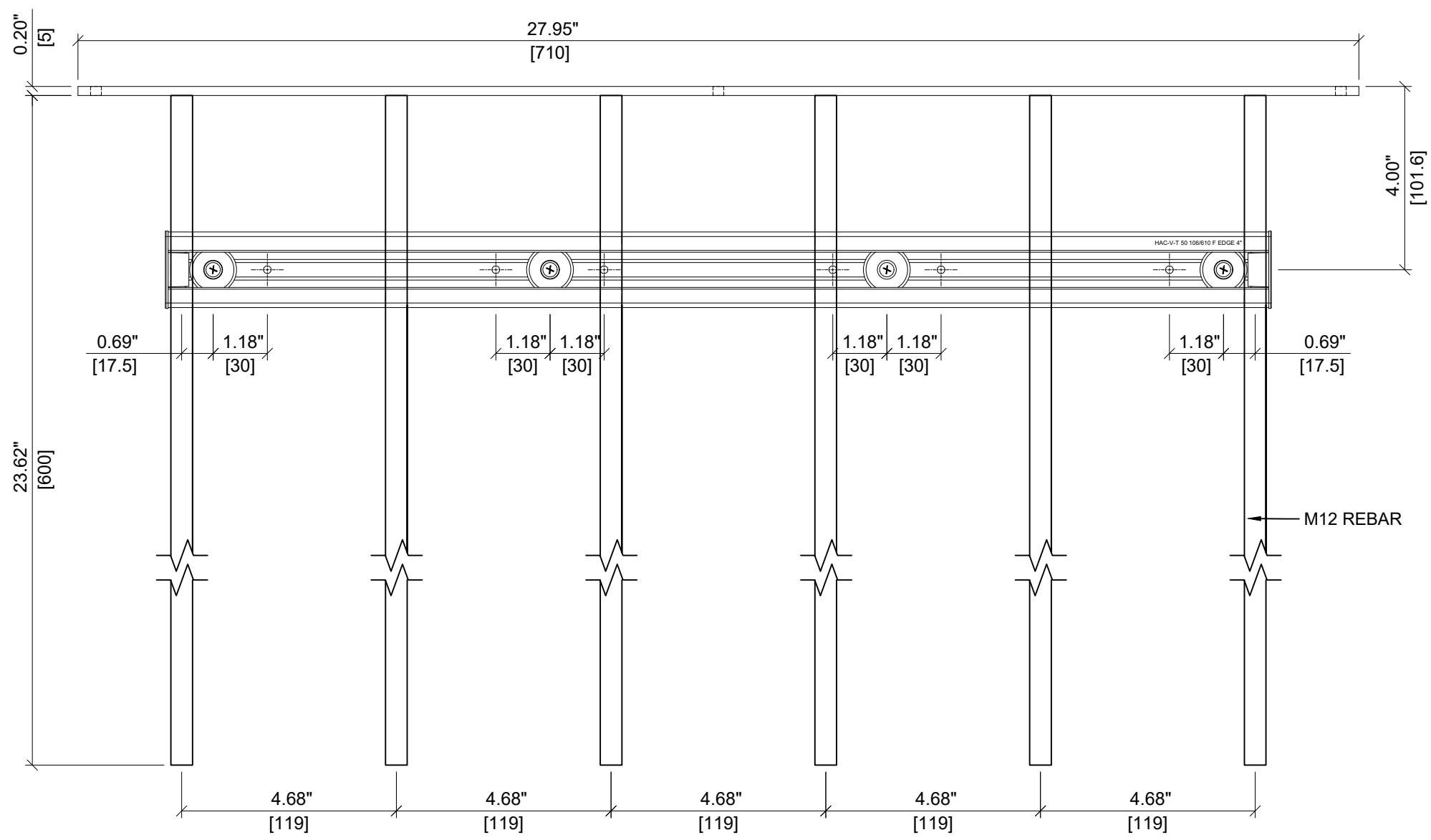


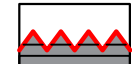
ELEVATION VIEW



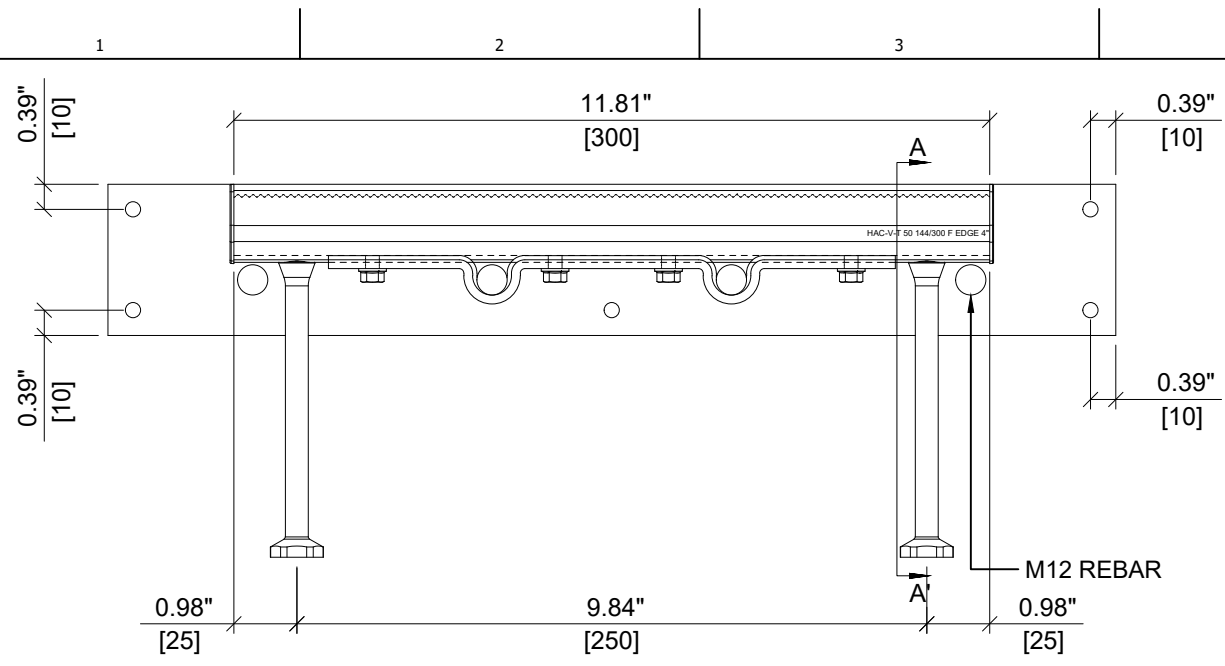
SECTION A-A'



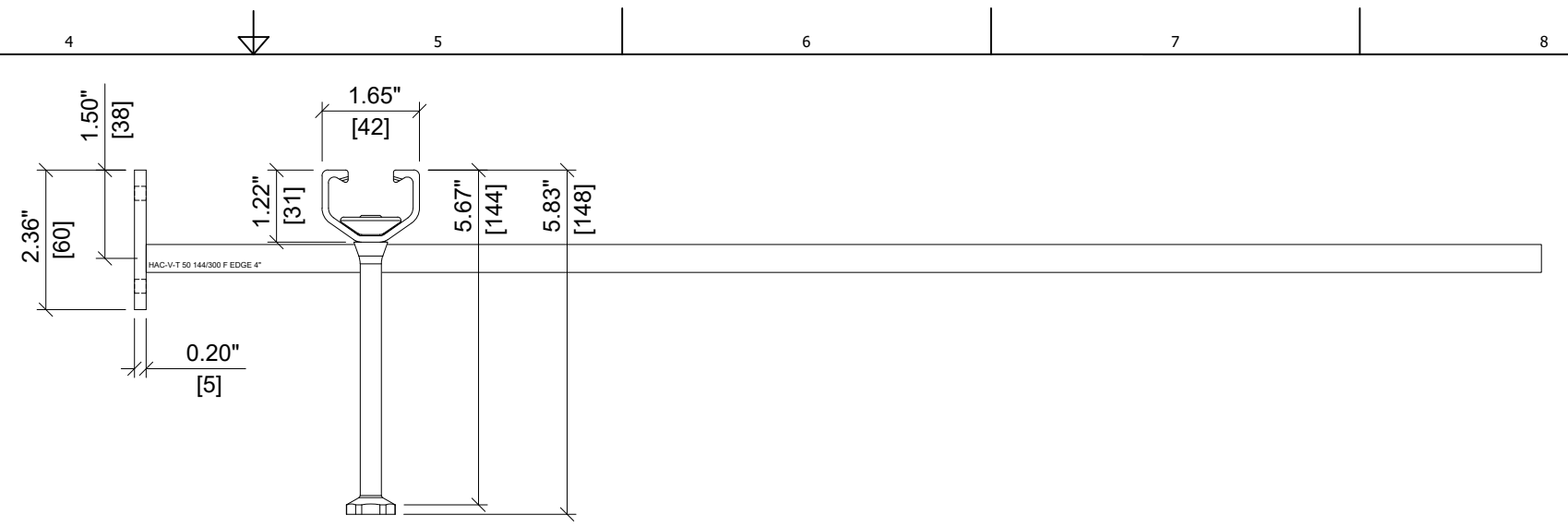
PLAN VIEW

HILTI	
ITEM NUMBER: 2366619	CHANNEL LIP: SERRATED 
ITEM DESCRIPTION: HAC-V-T 50 106/610 F EDGE 4"	

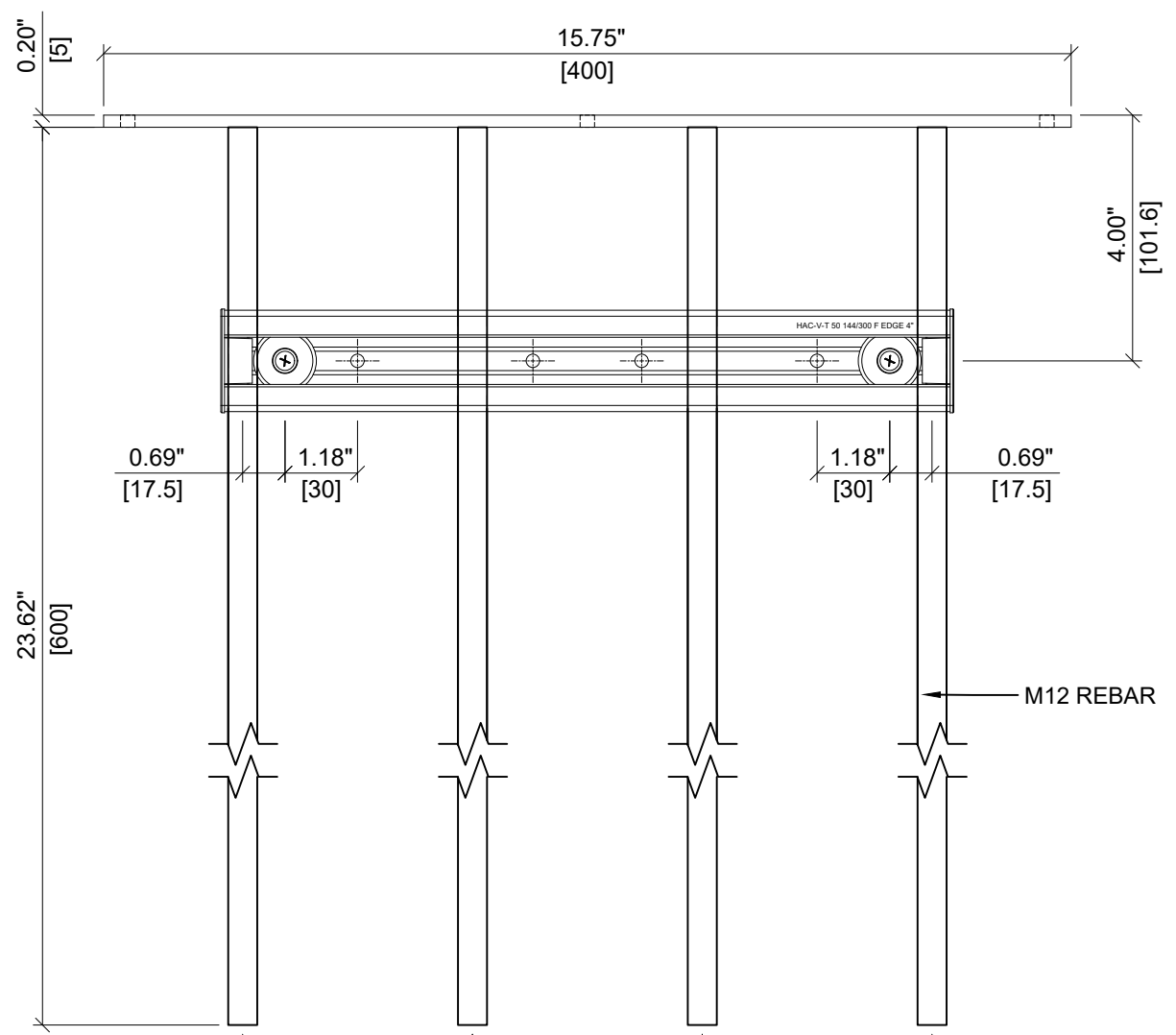




ELEVATION VIEW

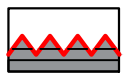


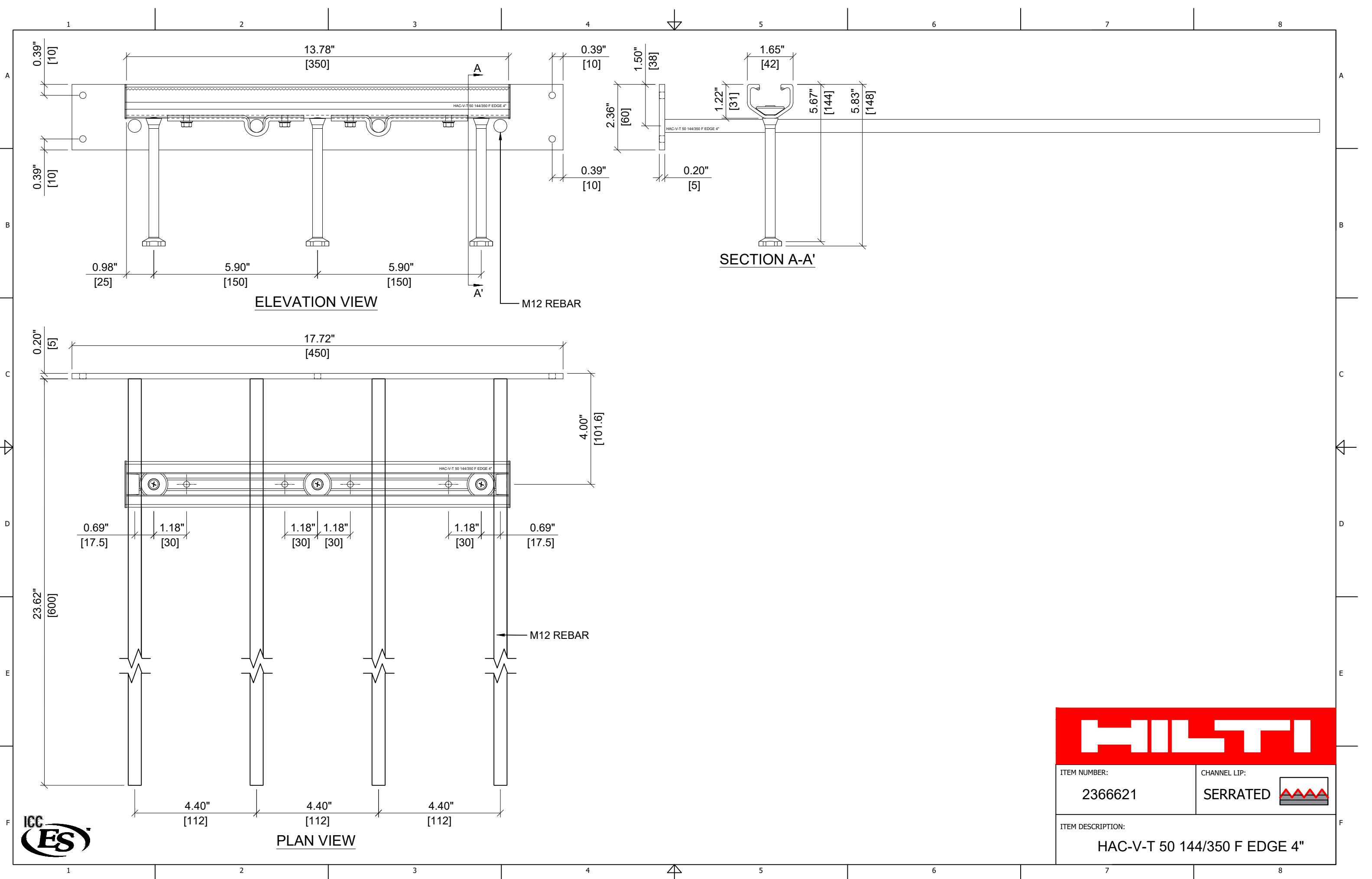
SECTION A-A'



PLAN VIEW



HILTI	
ITEM NUMBER: 2366620	CHANNEL LIP: SERRATED 
ITEM DESCRIPTION: HAC-V-T 50 144/300 F EDGE 4"	



ELEVATION VIEW

SECTION A-A'

PLAN VIEW

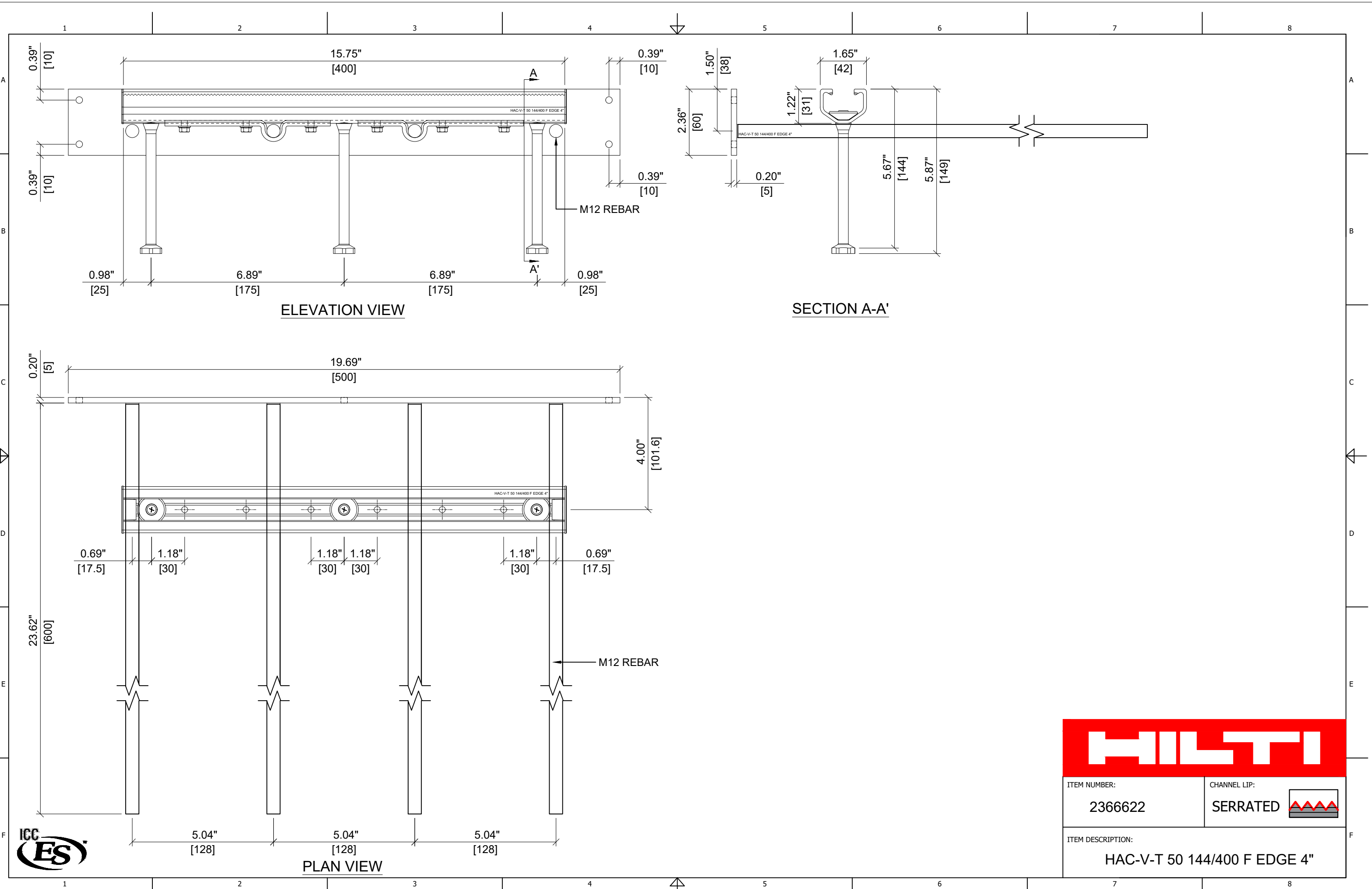


ITEM NUMBER:
2366621

CHANNEL LIP:
SERRATED 

ITEM DESCRIPTION:
HAC-V-T 50 144/350 F EDGE 4"

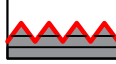




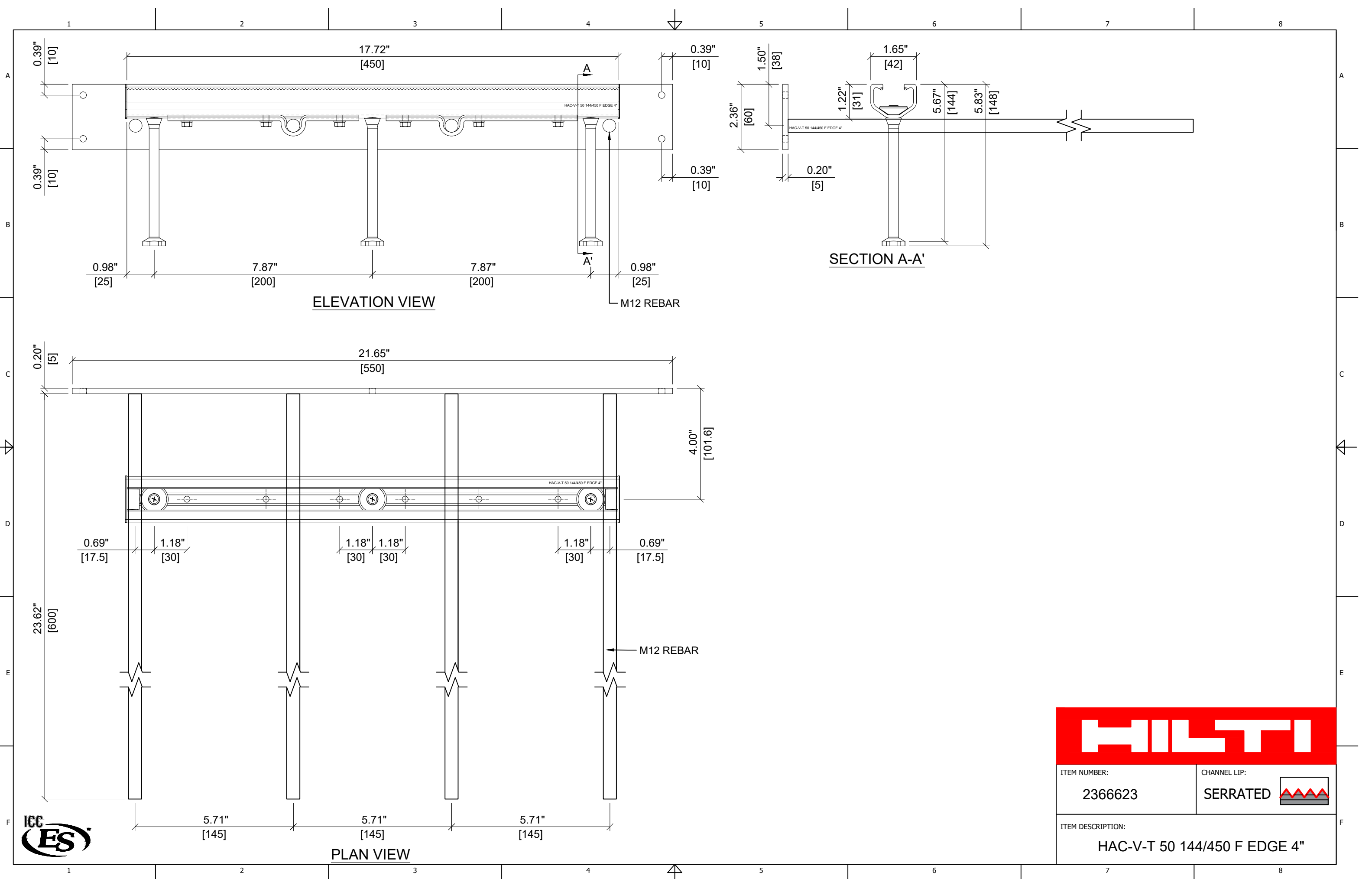
ELEVATION VIEW

SECTION A-A'

PLAN VIEW

HILTI	
ITEM NUMBER: 2366622	CHANNEL LIP: SERRATED 
ITEM DESCRIPTION: HAC-V-T 50 144/400 F EDGE 4"	





ELEVATION VIEW

PLAN VIEW

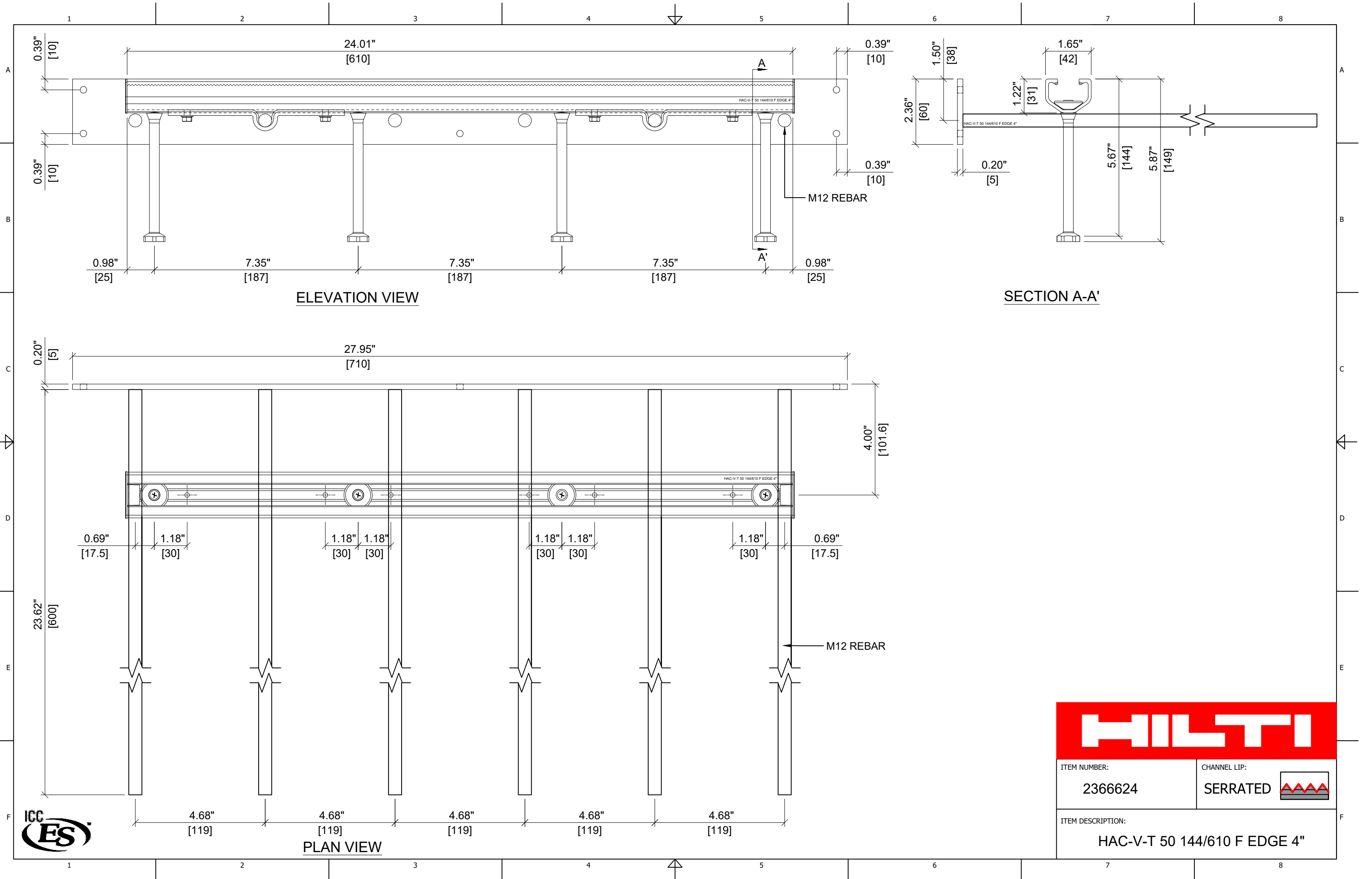
SECTION A-A'

ITEM NUMBER: 2366623	CHANNEL LIP: SERRATED
ITEM DESCRIPTION: HAC-V-T 50 144/450 F EDGE 4"	



M12 REBAR

M12 REBAR

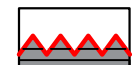


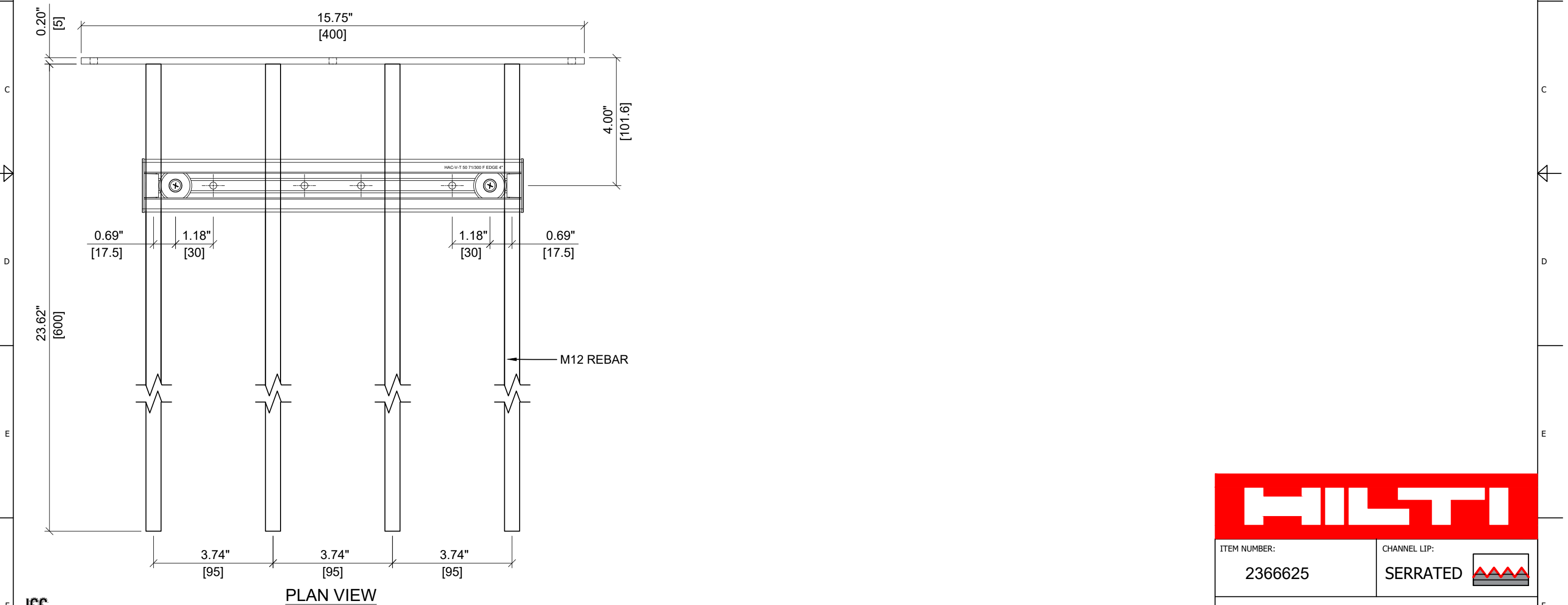
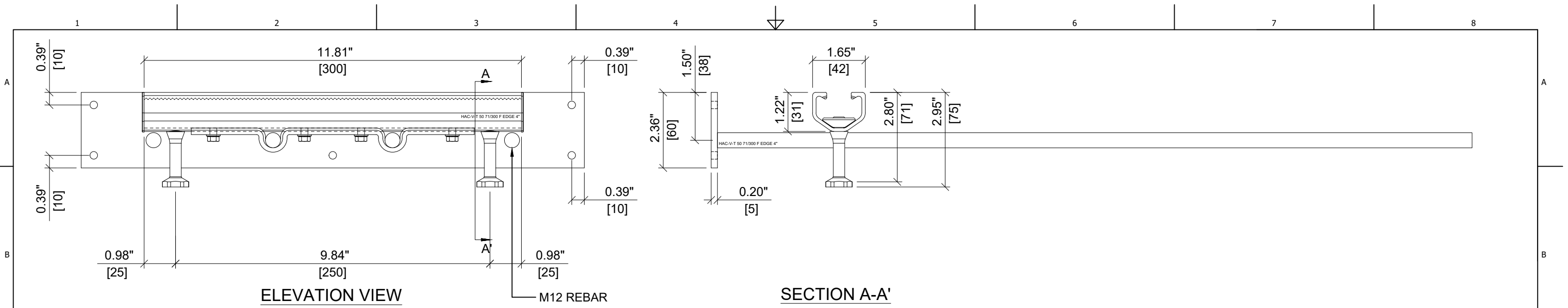
ELEVATION VIEW


SECTION A-A'

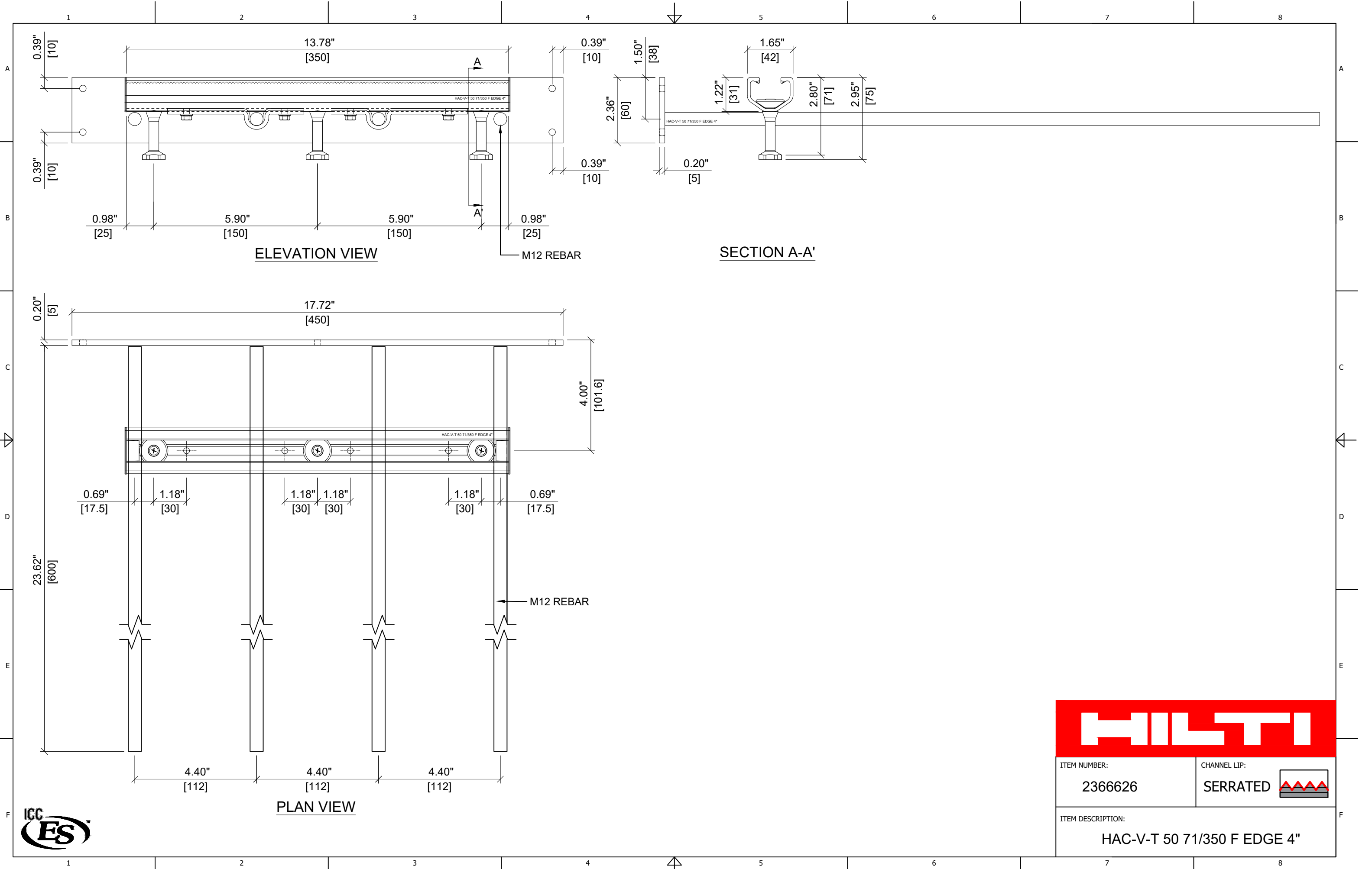
PLAN VIEW



HILTI	
ITEM NUMBER: 2366624	CHANNEL LIP: SERRATED 
ITEM DESCRIPTION: HAC-V-T 50 144/610 F EDGE 4"	



HILTI	
ITEM NUMBER: 2366625	CHANNEL LIP: SERRATED 
ITEM DESCRIPTION: HAC-V-T 50 71/300 F EDGE 4"	



ELEVATION VIEW

SECTION A-A'

PLAN VIEW

M12 REBAR

M12 REBAR

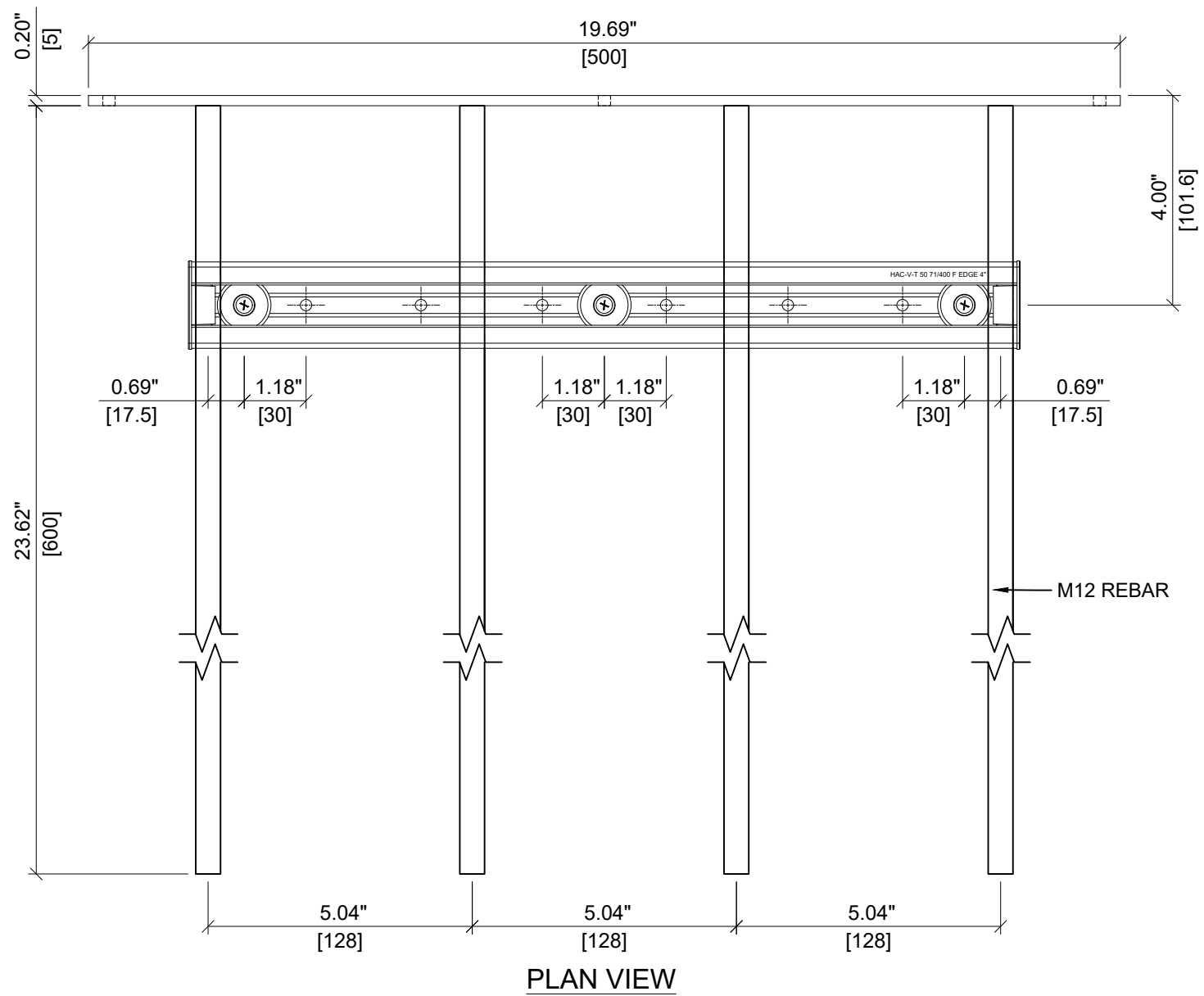
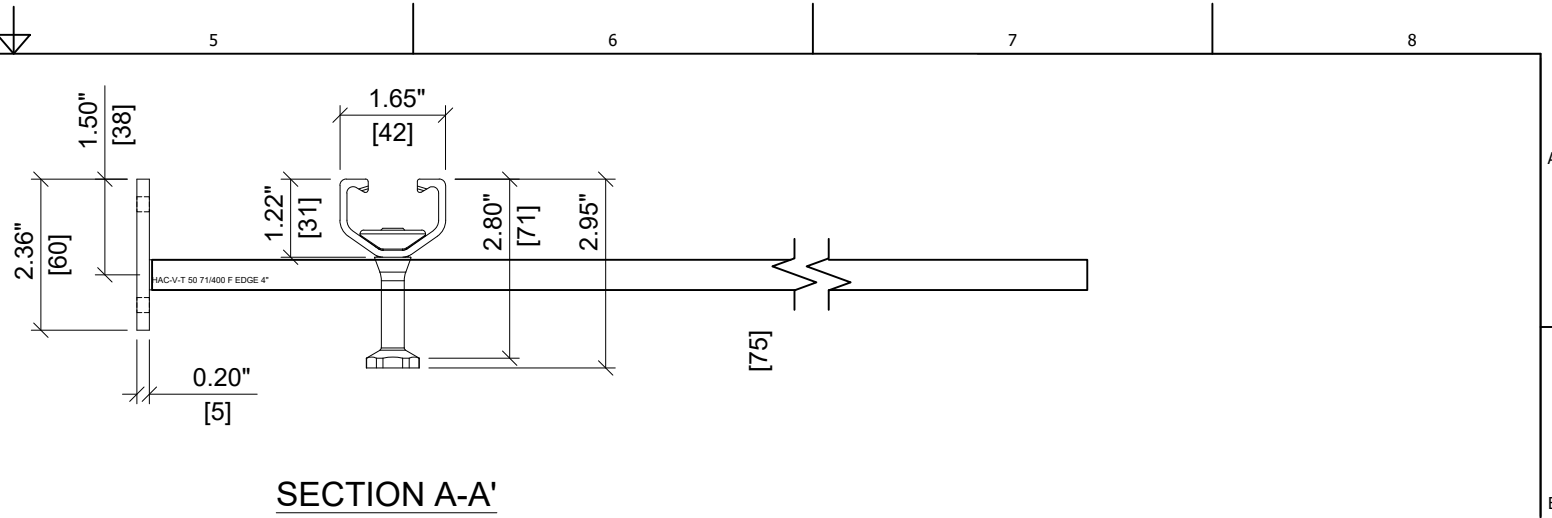
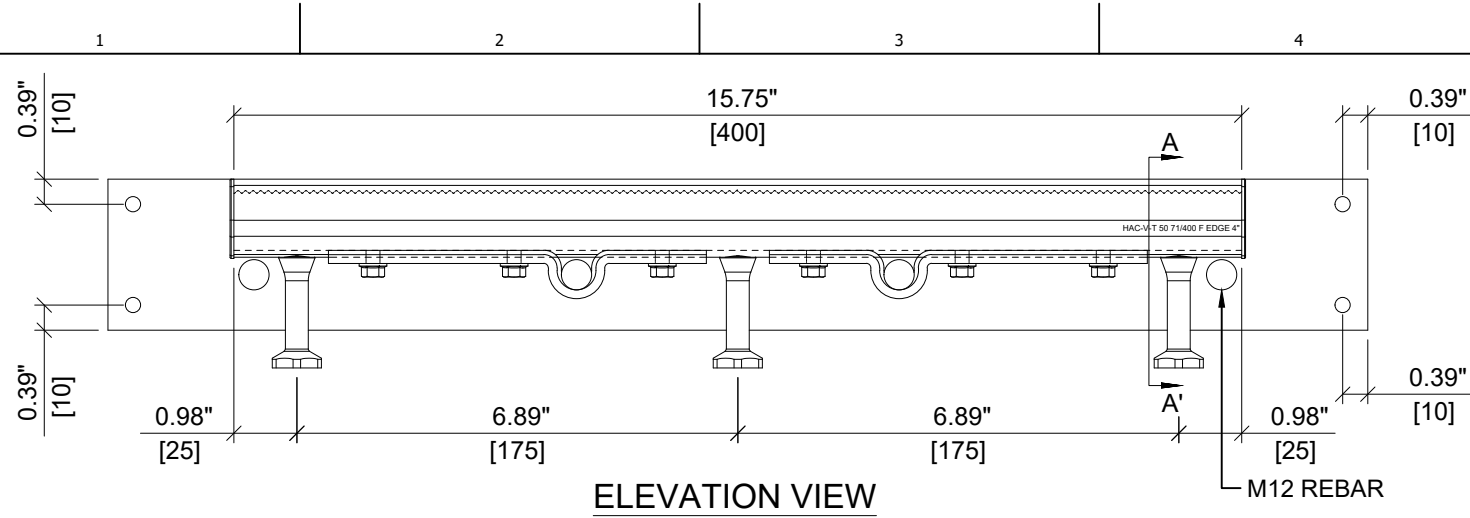


ITEM NUMBER:
2366626


CHANNEL LIP:
SERRATED 

ITEM DESCRIPTION:
HAC-V-T 50 71/350 F EDGE 4"

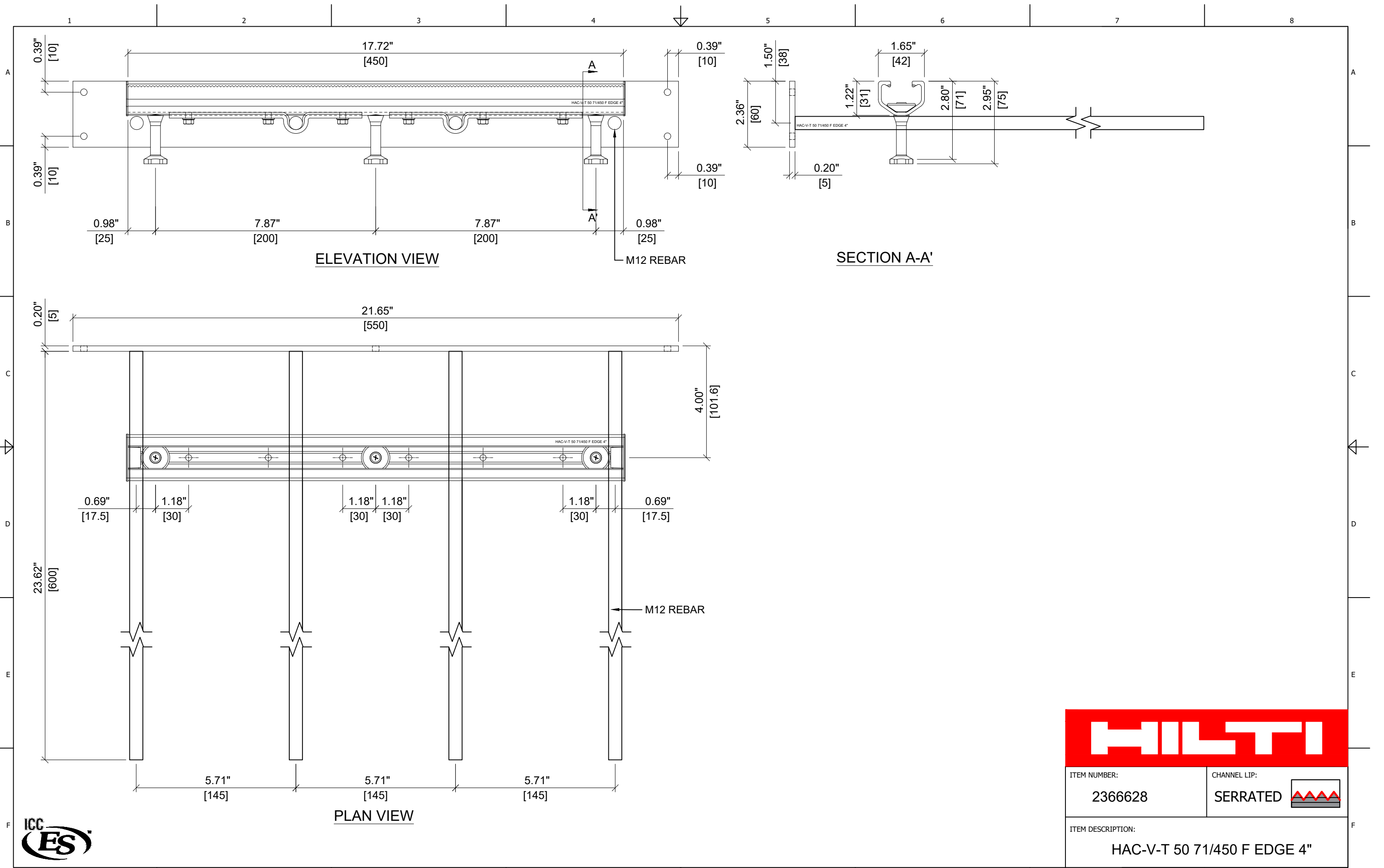


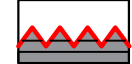


HILTI

ITEM NUMBER: 2366627	CHANNEL LIP: SERRATED 
ITEM DESCRIPTION: HAC-V-T 50 71/400 F EDGE 4"	

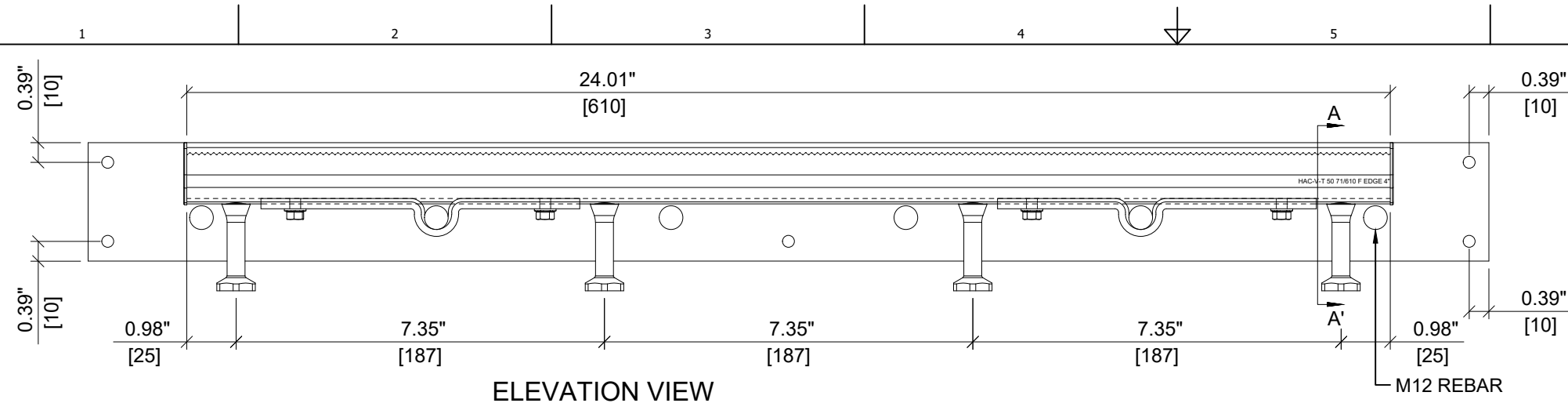




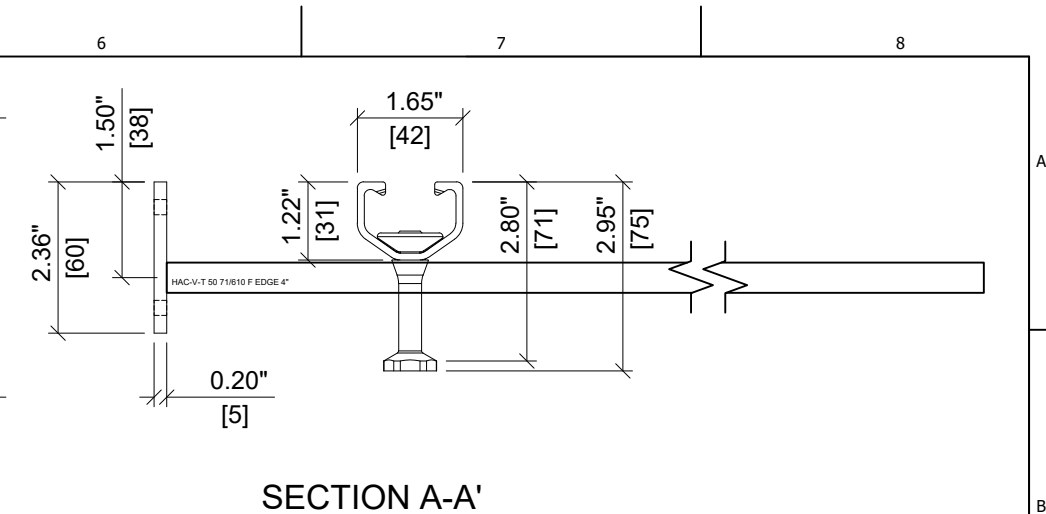
ITEM NUMBER: 2366628	CHANNEL LIP: SERRATED 
--------------------------------	---

ITEM DESCRIPTION:
HAC-V-T 50 71/450 F EDGE 4"

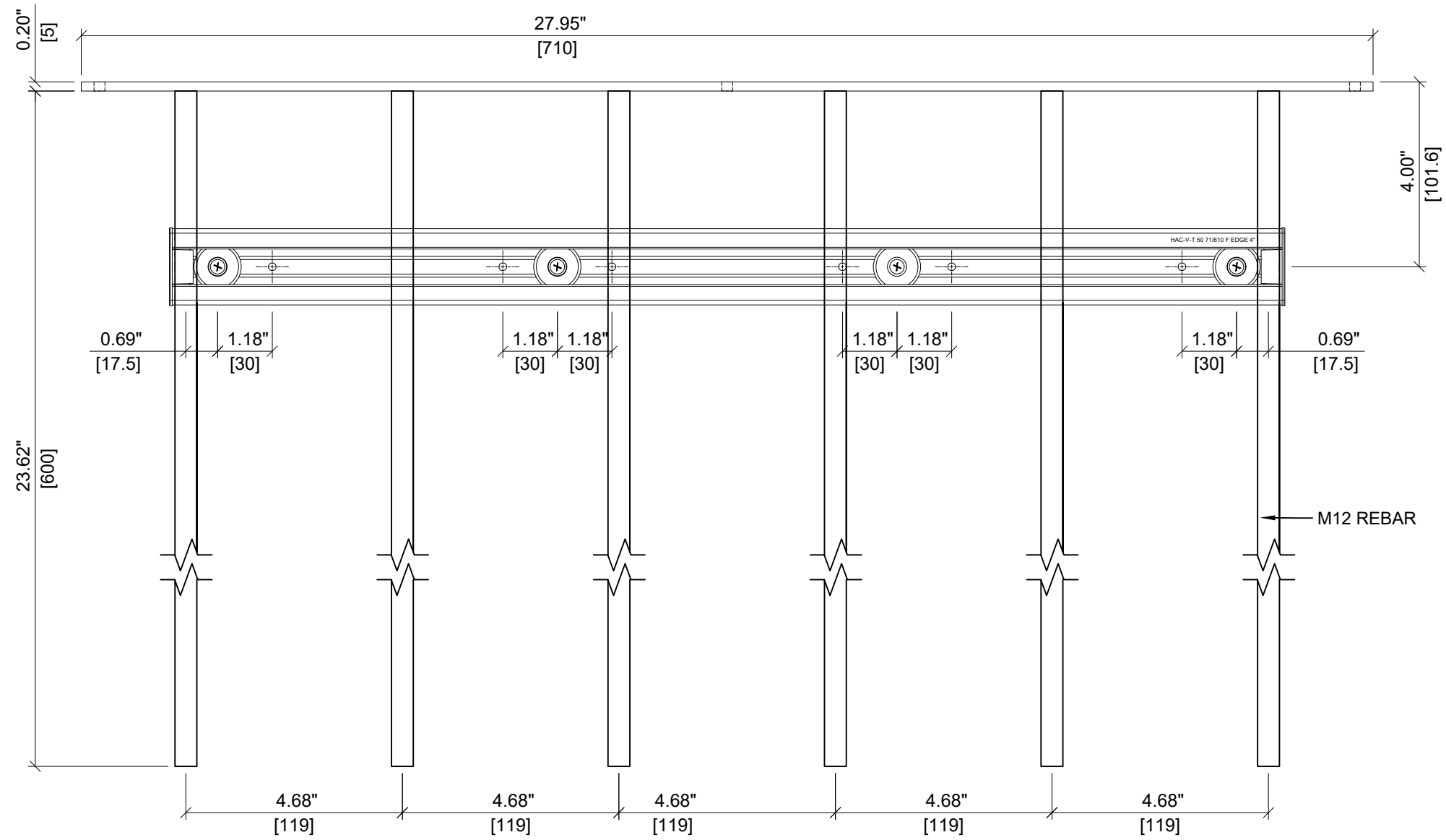




ELEVATION VIEW



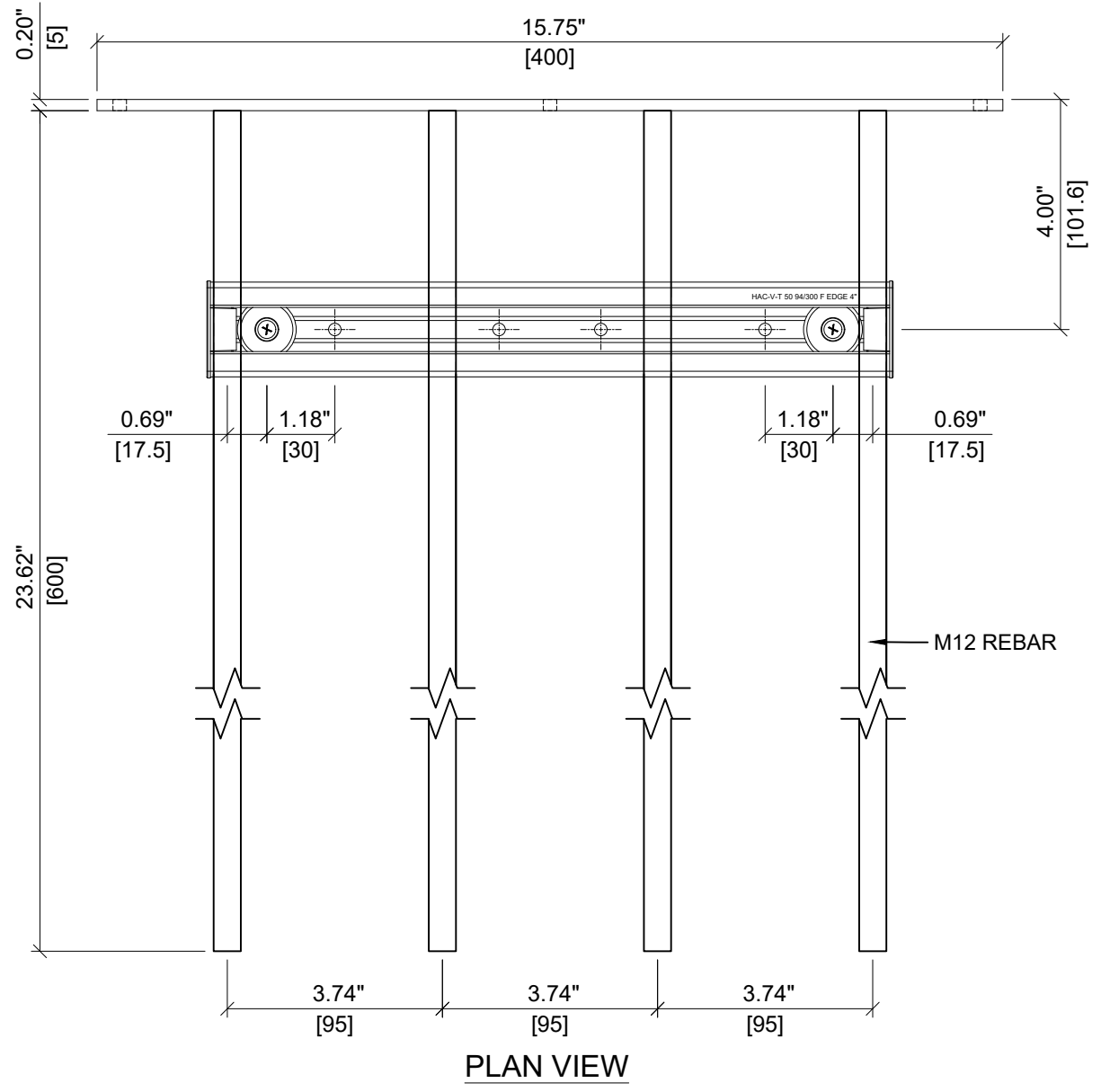
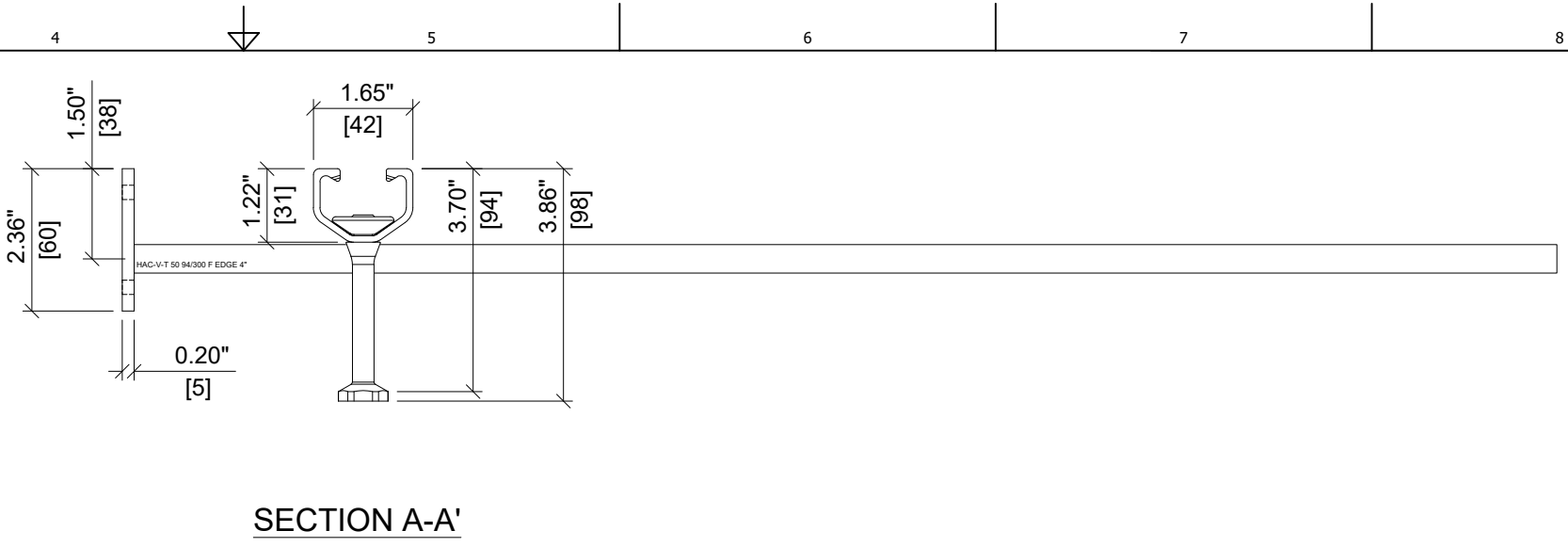
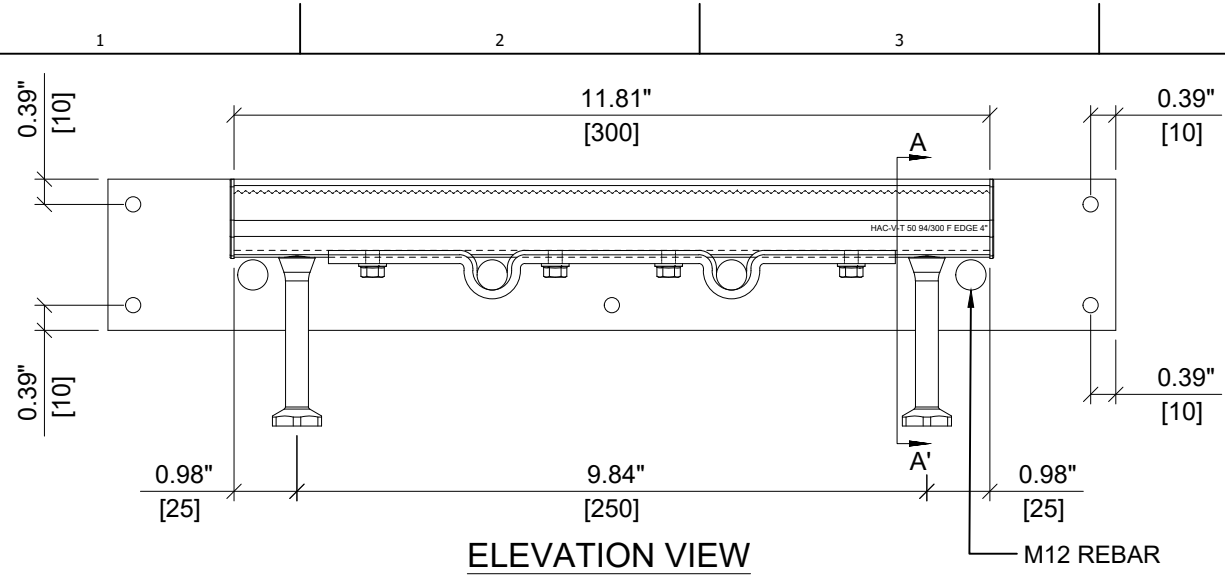
SECTION A-A'



PLAN VIEW

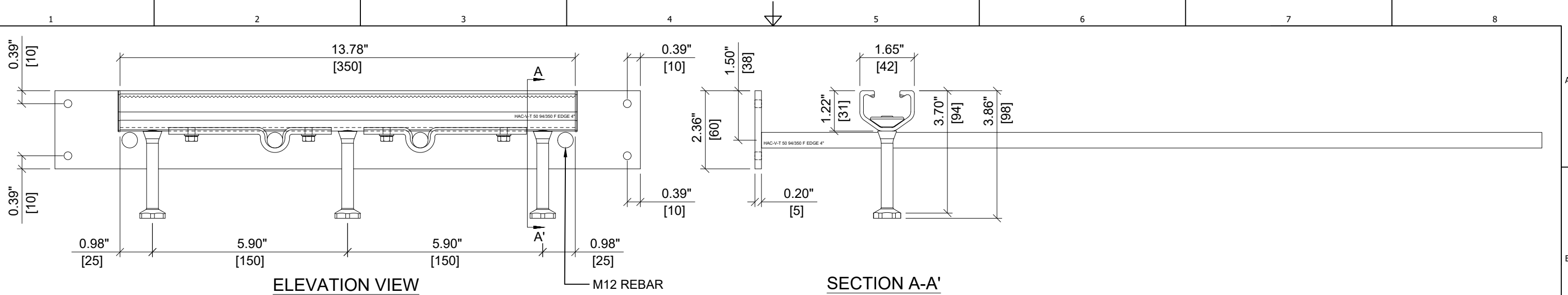
ITEM NUMBER: 2366629	CHANNEL LIP: SERRATED
ITEM DESCRIPTION: HAC-V-T 50 71/610 F EDGE 4"	





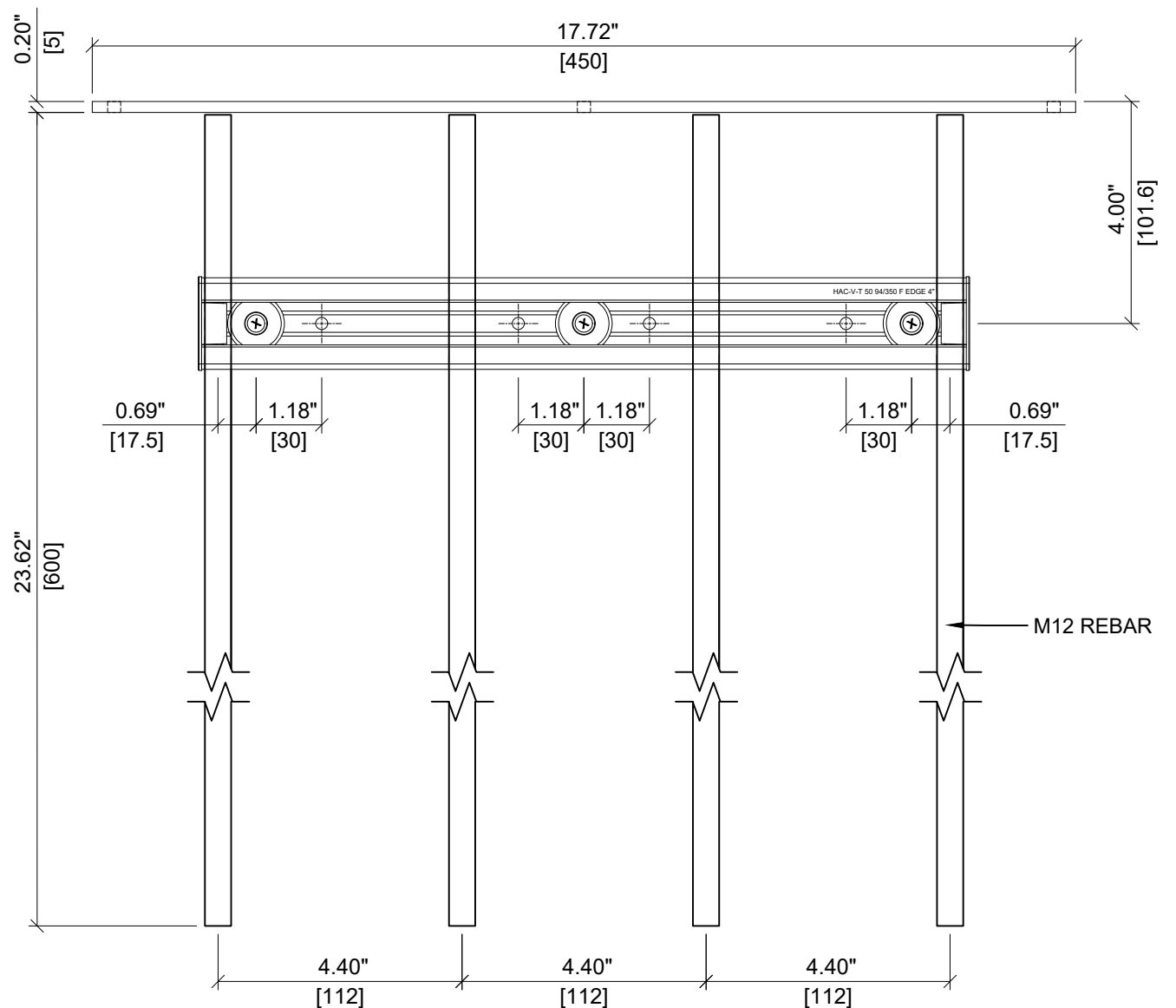
ITEM NUMBER: 2366630	CHANNEL LIP: SERRATED
ITEM DESCRIPTION: HAC-V-T 50 94/300 F EDGE 4"	





ELEVATION VIEW

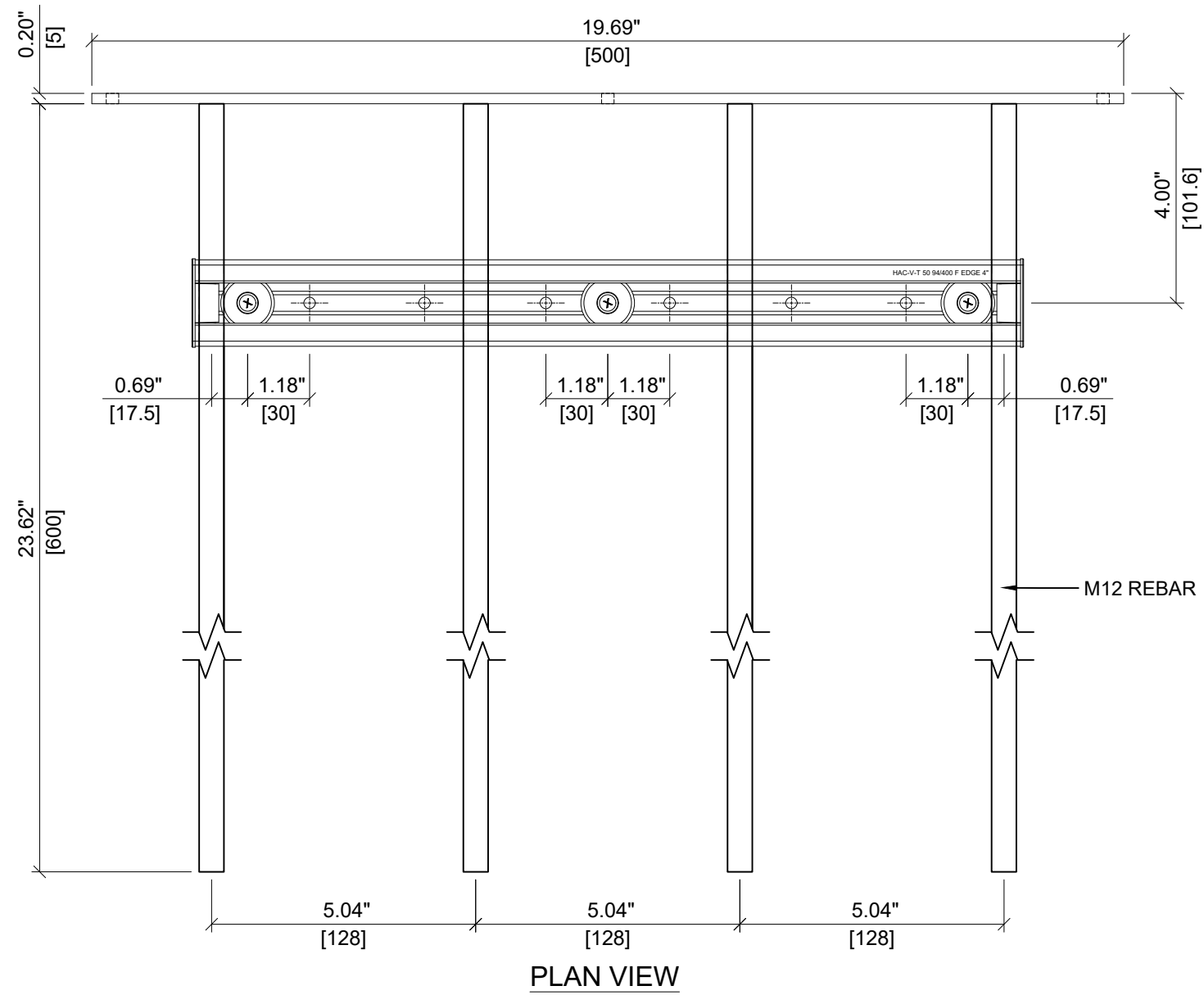
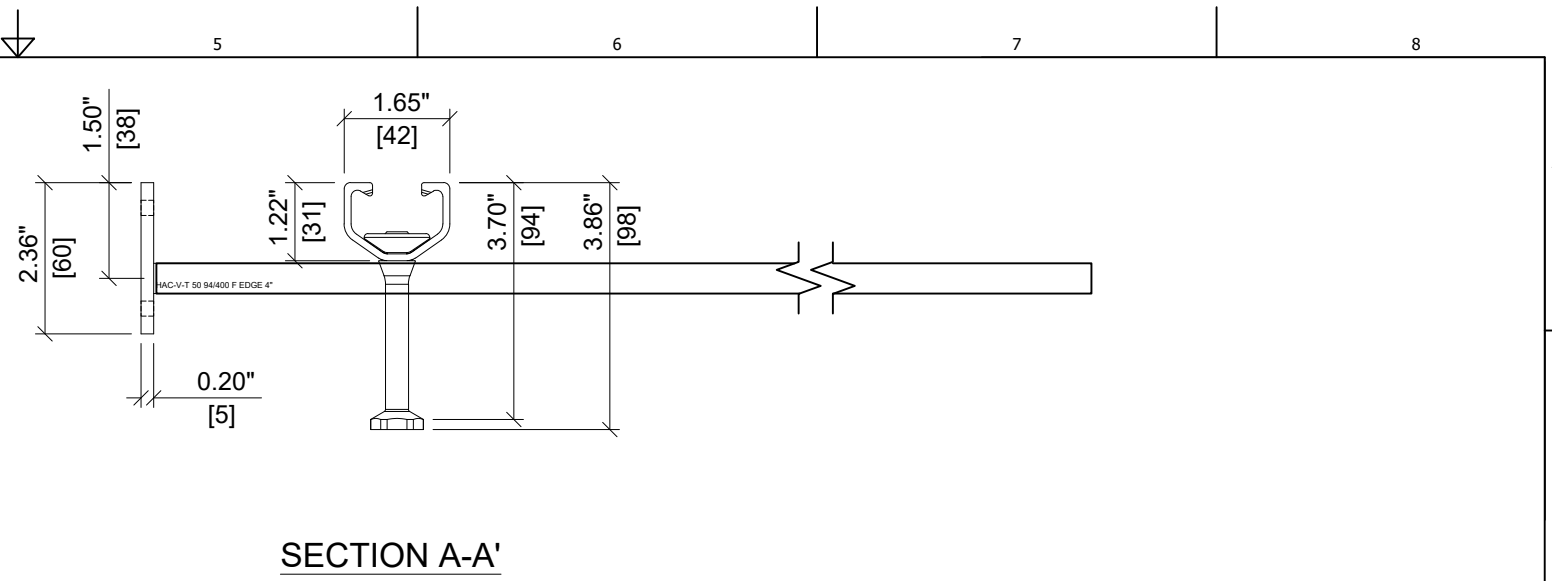
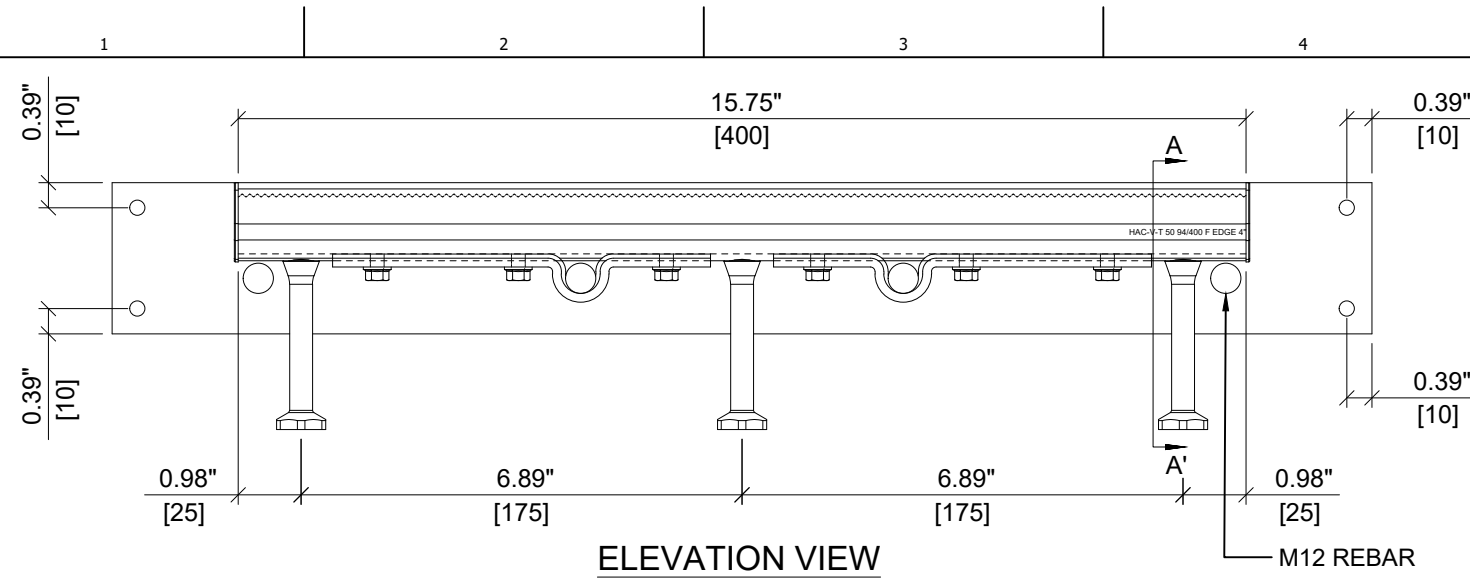
SECTION A-A'



PLAN VIEW

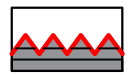
ITEM NUMBER: 2366631	CHANNEL LIP: SERRATED
ITEM DESCRIPTION: HAC-V-T 50 94/350 F EDGE 4"	





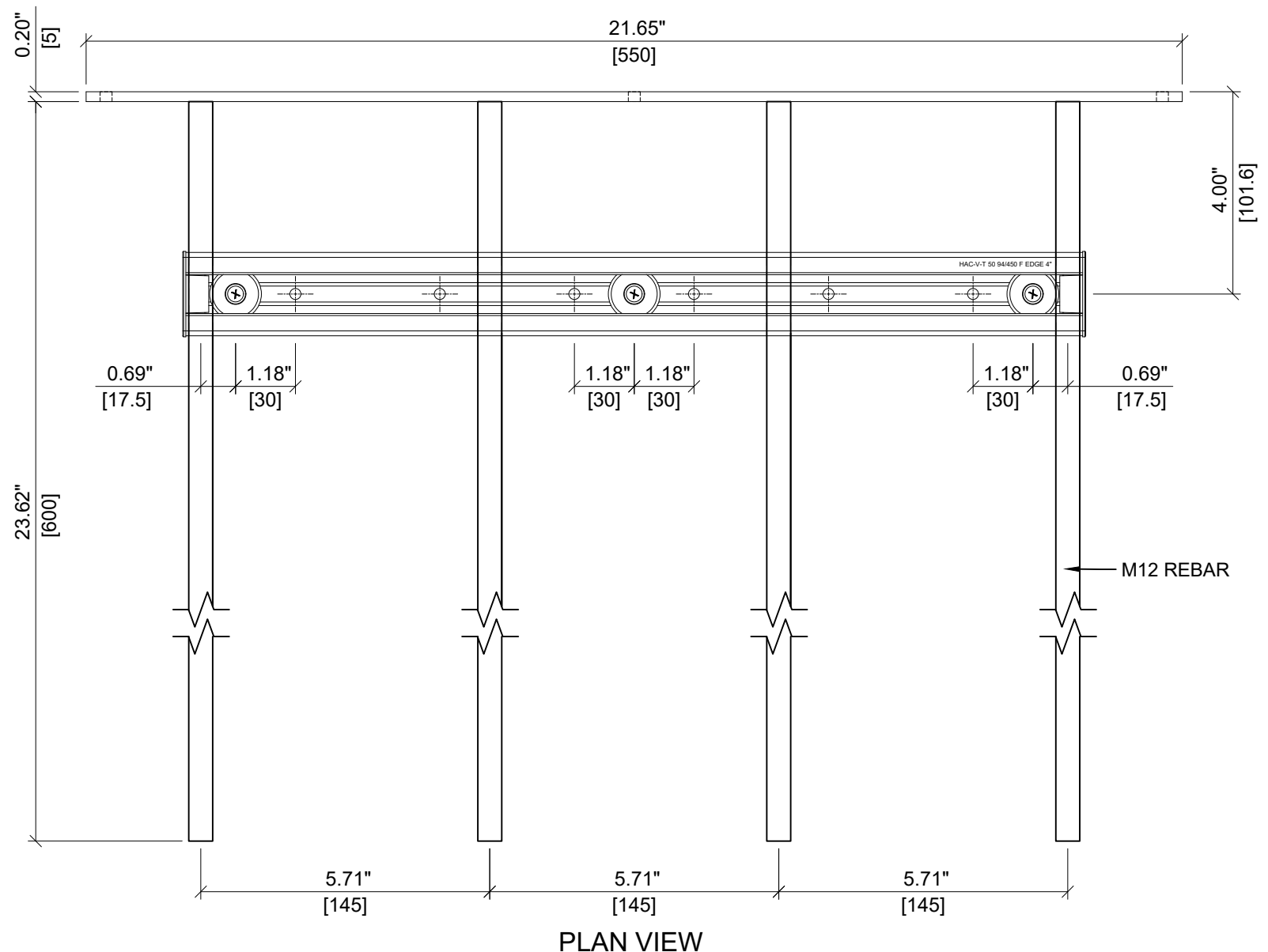
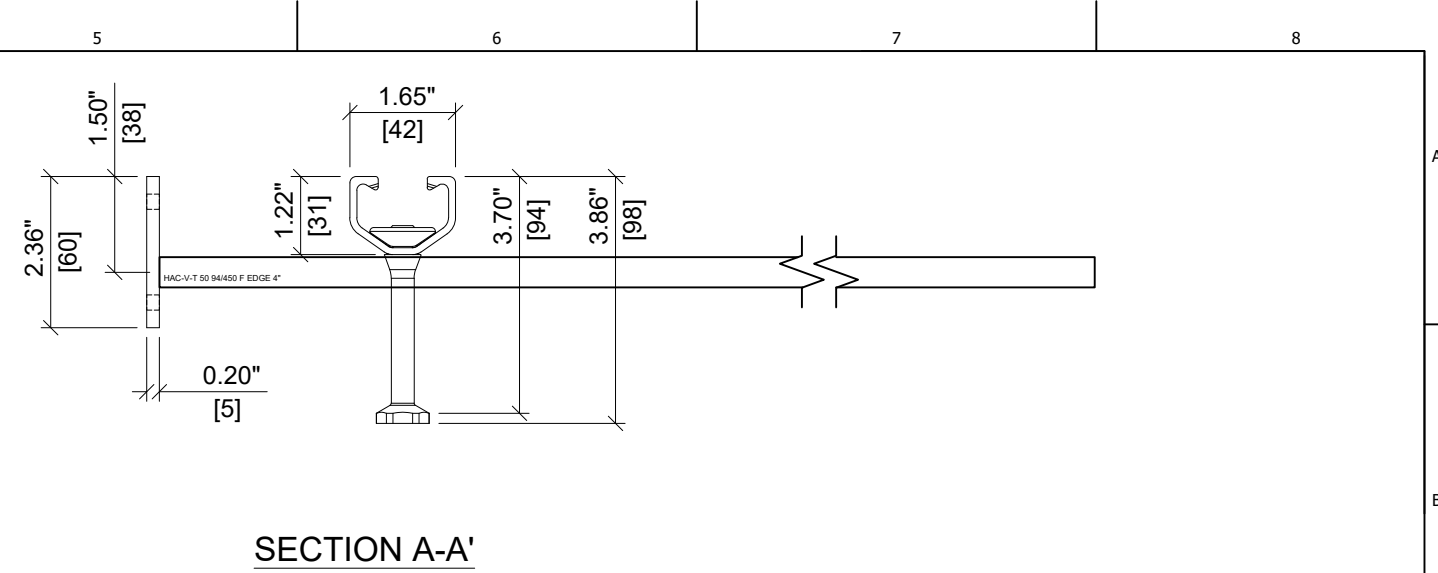
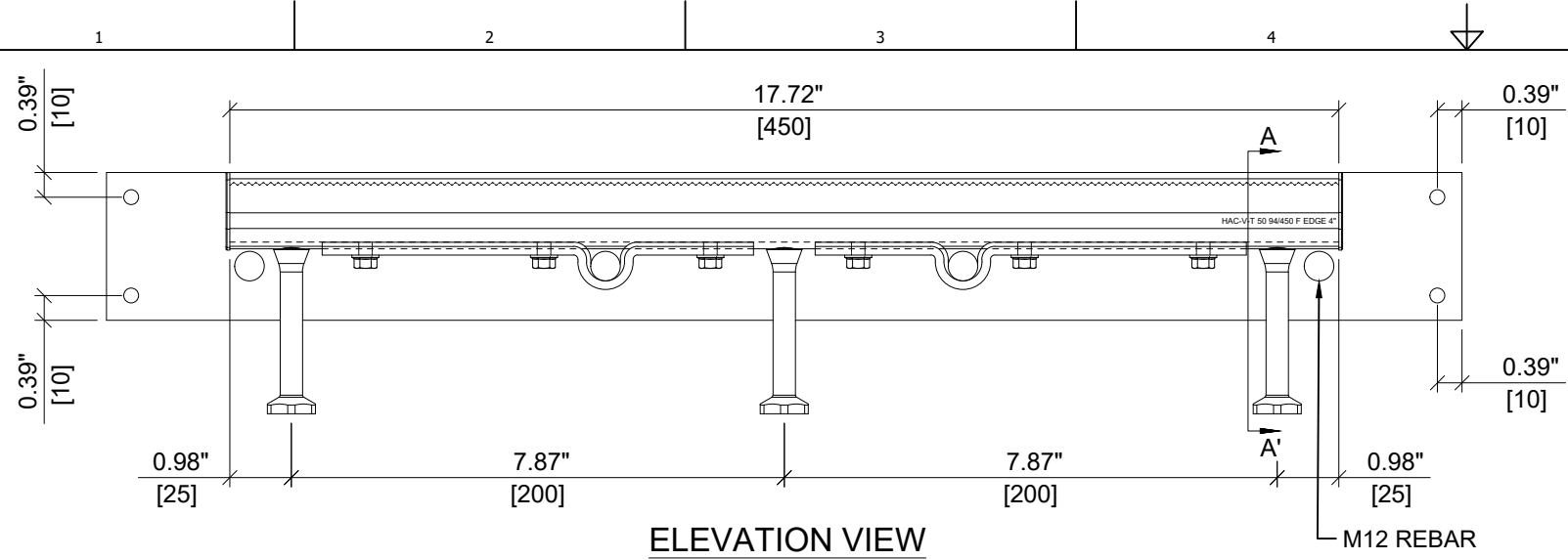
HILTI

ITEM NUMBER: 2366632

CHANNEL LIP: SERRATED 

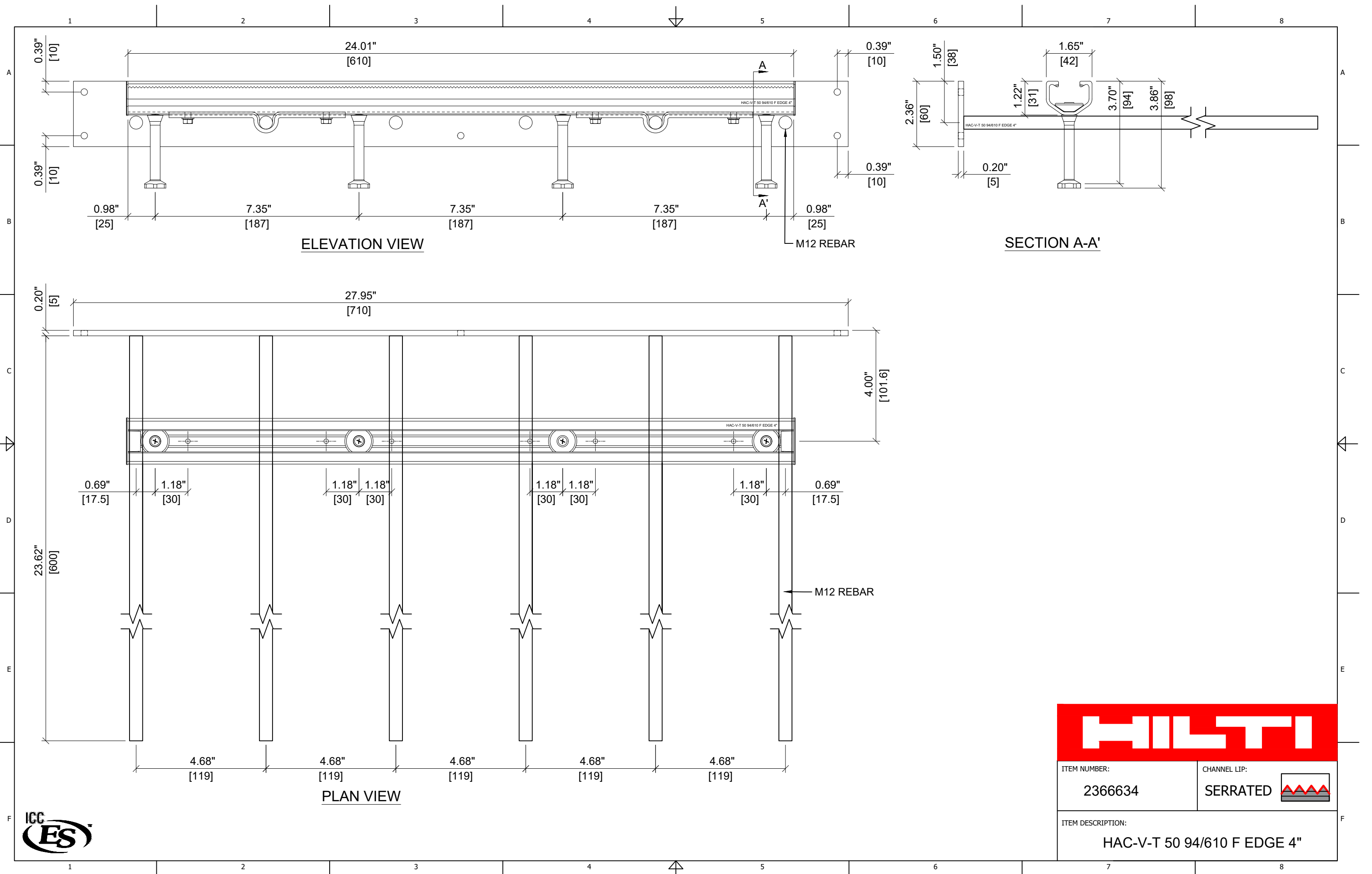
ITEM DESCRIPTION: HAC-V-T 50 94/400 F EDGE 4"





ITEM NUMBER: 2366633	CHANNEL LIP: SERRATED
ITEM DESCRIPTION: HAC-V-T 50 94/450 F EDGE 4"	

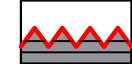




ELEVATION VIEW

SECTION A-A'

PLAN VIEW

HILTI	
ITEM NUMBER: 2366634	CHANNEL LIP: SERRATED 
ITEM DESCRIPTION: HAC-V-T 50 94/610 F EDGE 4"	

