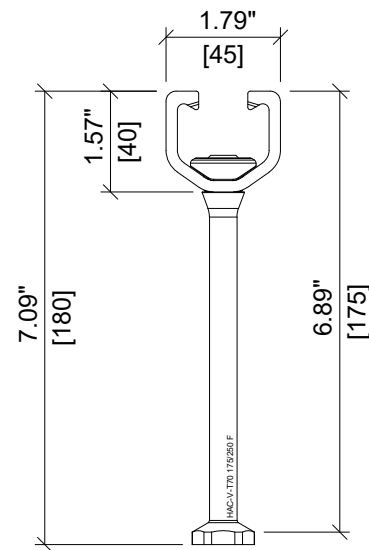
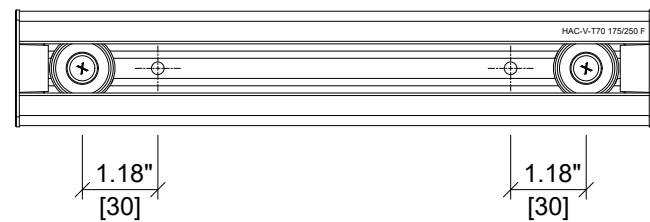



ELEVATION VIEW



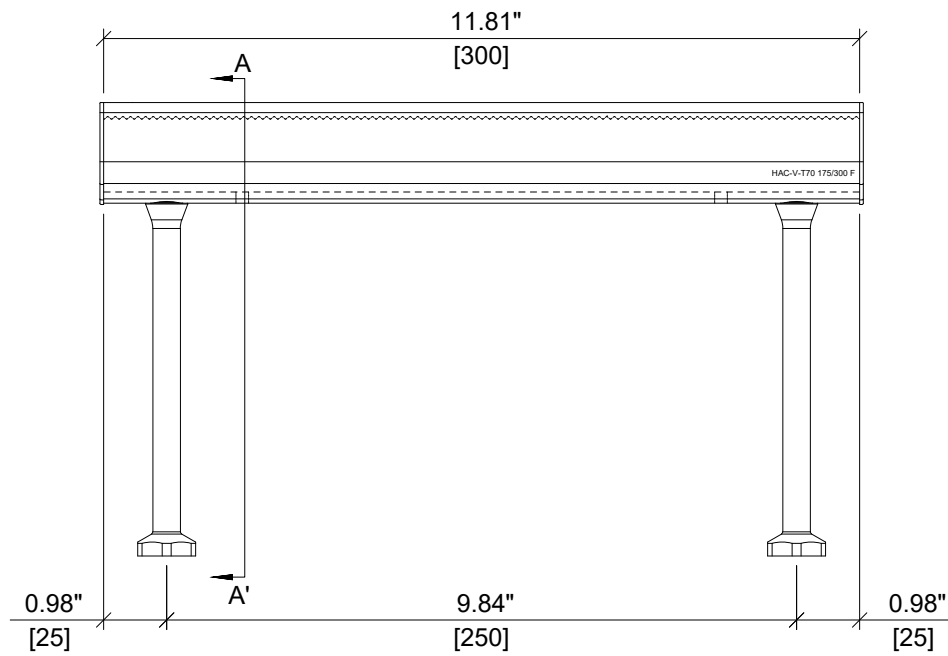
SECTION A-A'



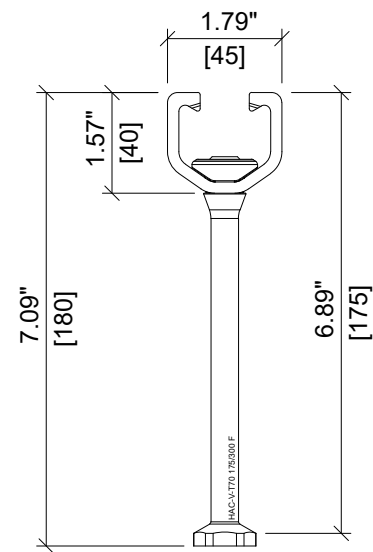
PLAN VIEW

HILTI	
ITEM NUMBER: TBD	CHANNEL LIP: SERRATED 
ITEM DESCRIPTION: HAC-V-T70 175/250 F	

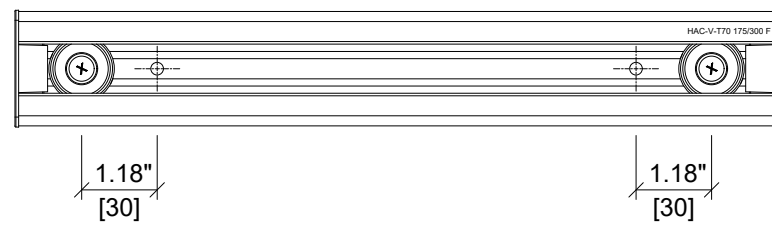




ELEVATION VIEW

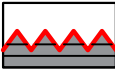


SECTION A-A'



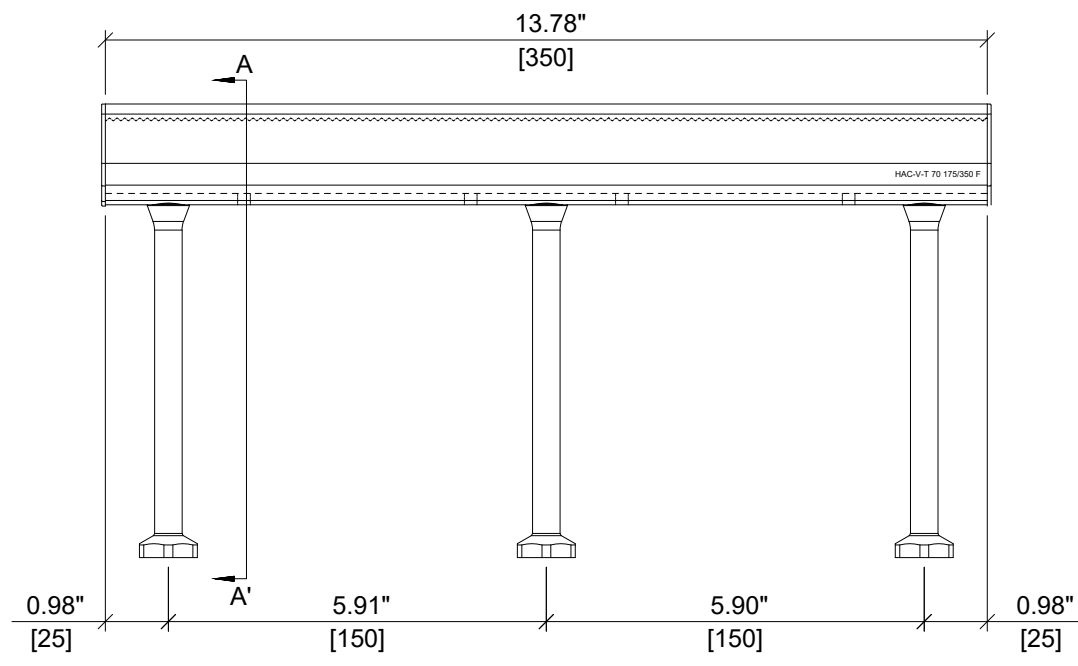
PLAN VIEW



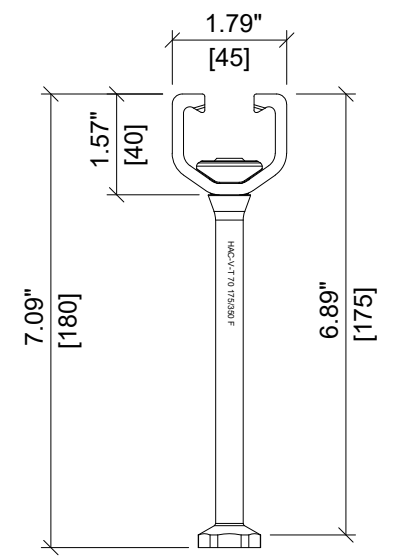
ITEM NUMBER: 2331466	CHANNEL LIP: SERRATED 
--------------------------------	---

ITEM DESCRIPTION:
HAC-V-T70 175/300 F

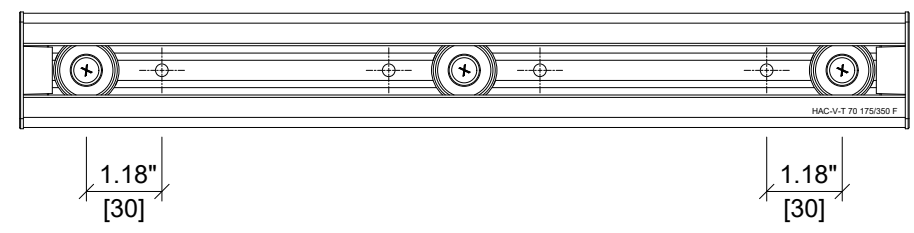




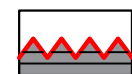
ELEVATION VIEW



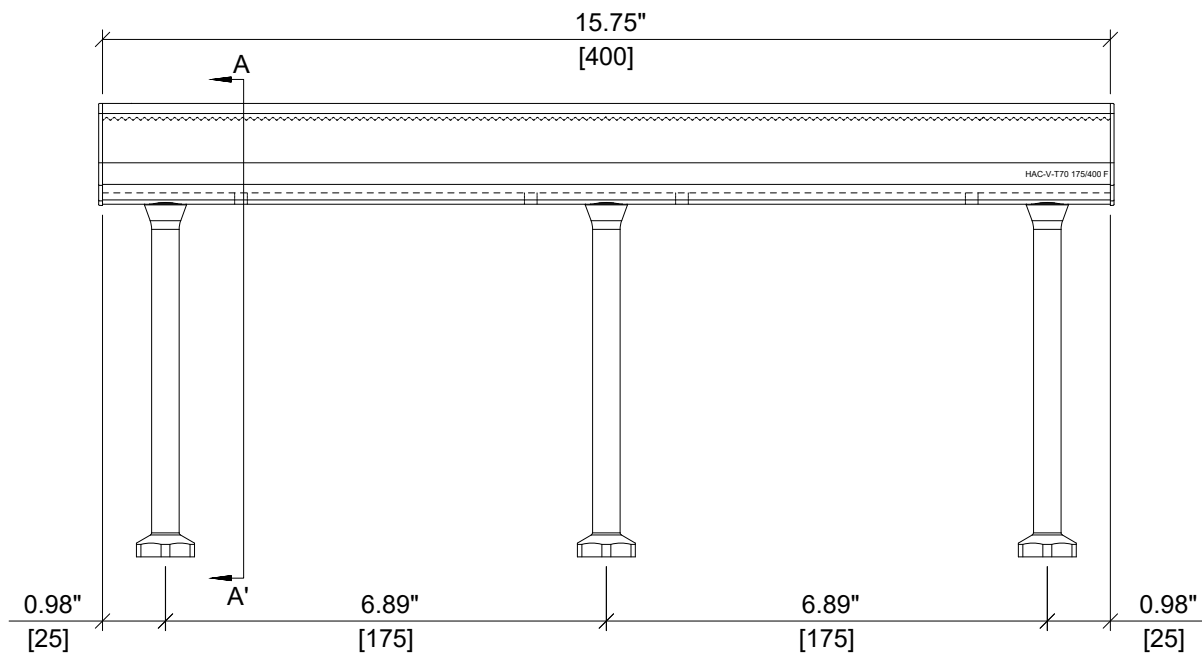
SECTION A-A'



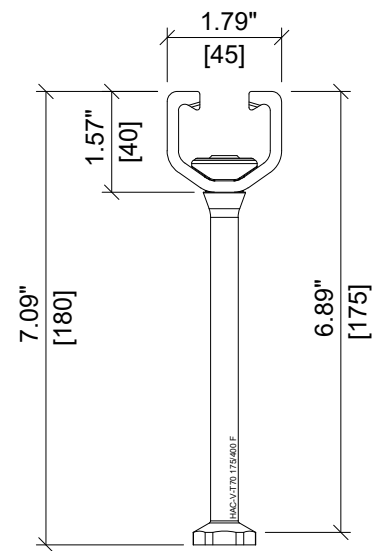
PLAN VIEW

HILTI	
ITEM NUMBER: 2331467	CHANNEL LIP: SERRATED 
ITEM DESCRIPTION: HAC-V-T70 175/350 F	

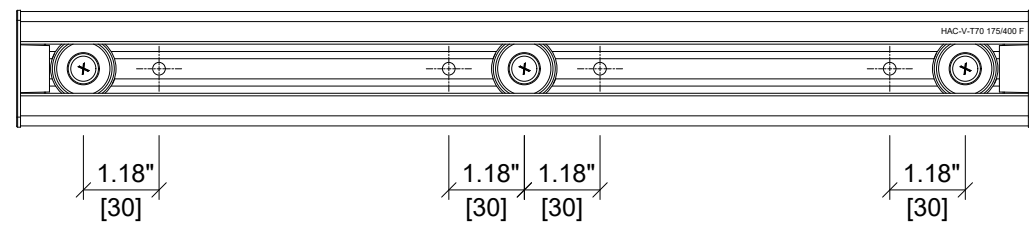




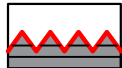
ELEVATION VIEW



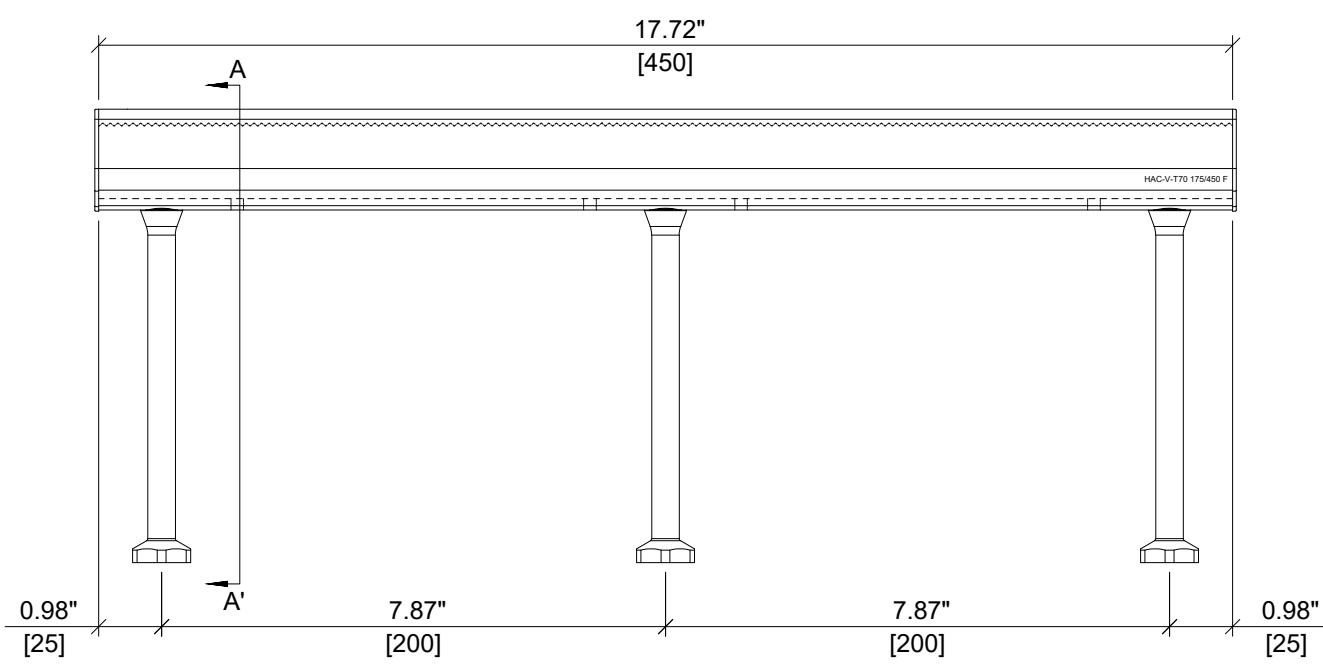
SECTION A-A'



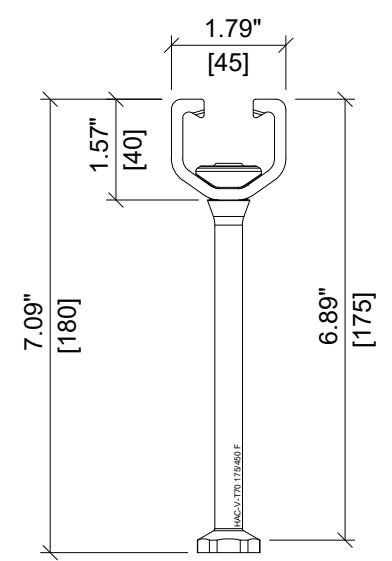
PLAN VIEW

HILTI	
ITEM NUMBER: 2331468	CHANNEL LIP: SERRATED 
ITEM DESCRIPTION: HAC-V-T70 175/400 F	

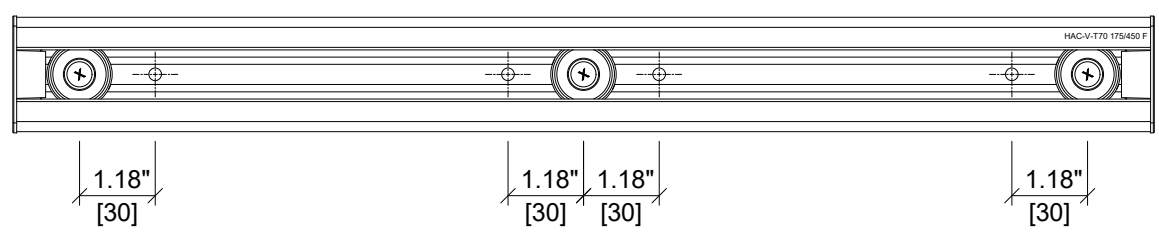




ELEVATION VIEW

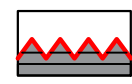


SECTION A-A'



PLAN VIEW

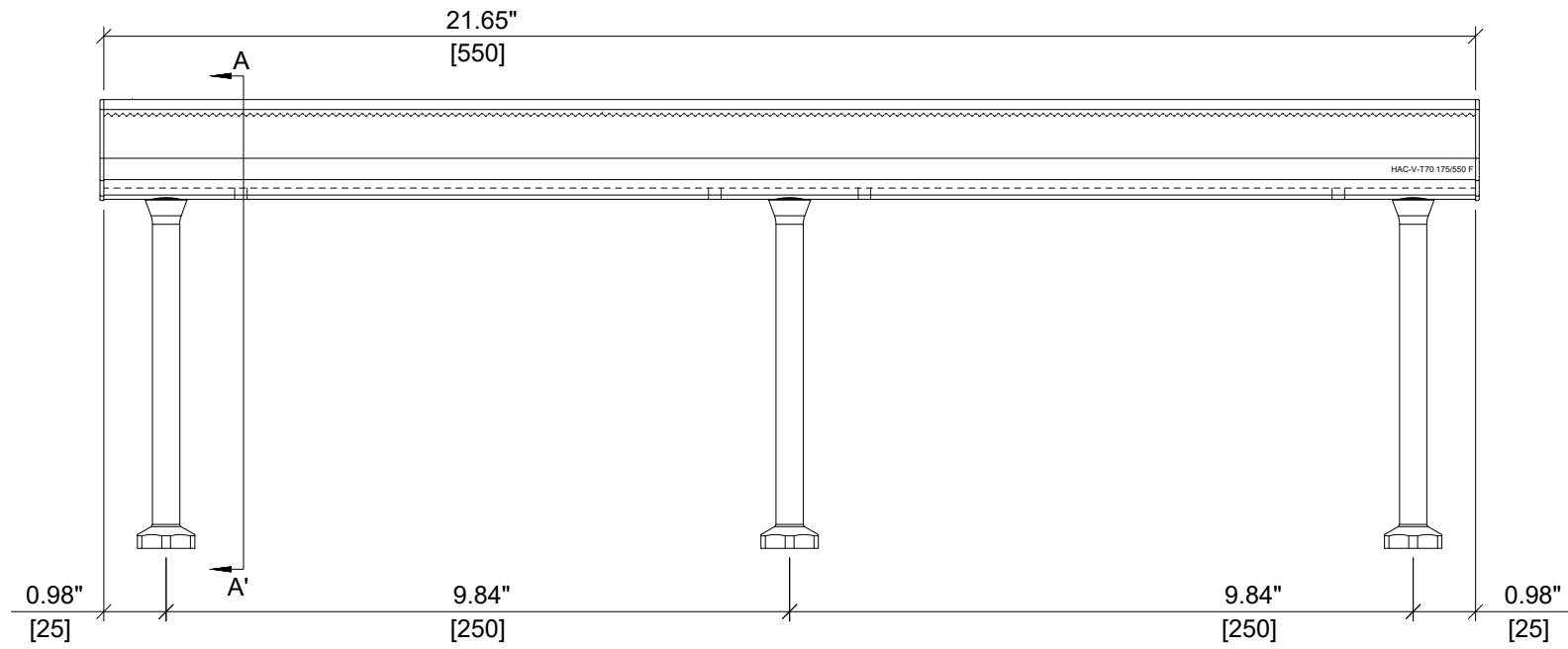


ITEM NUMBER: 2331469	CHANNEL LIP: SERRATED 
--------------------------------	---

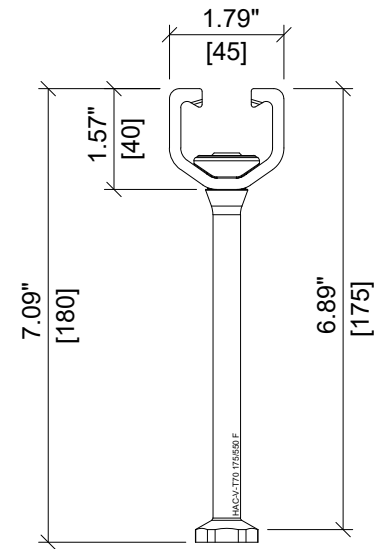
ITEM DESCRIPTION:
HAC-V-T70 175/450 F



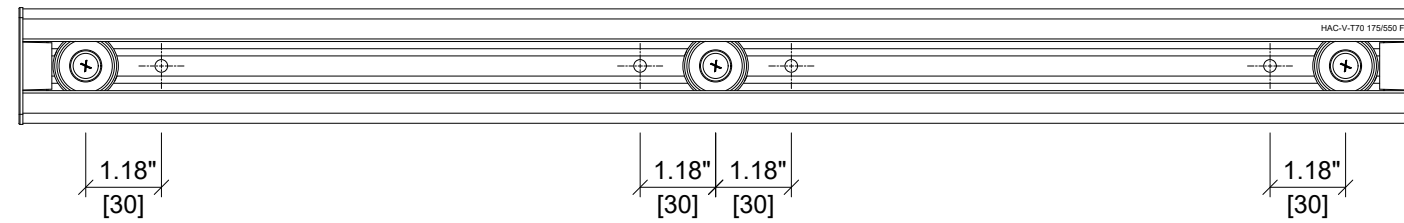
1 2 3 4 5 6 7 8



ELEVATION VIEW

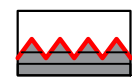


SECTION A-A'



PLAN VIEW

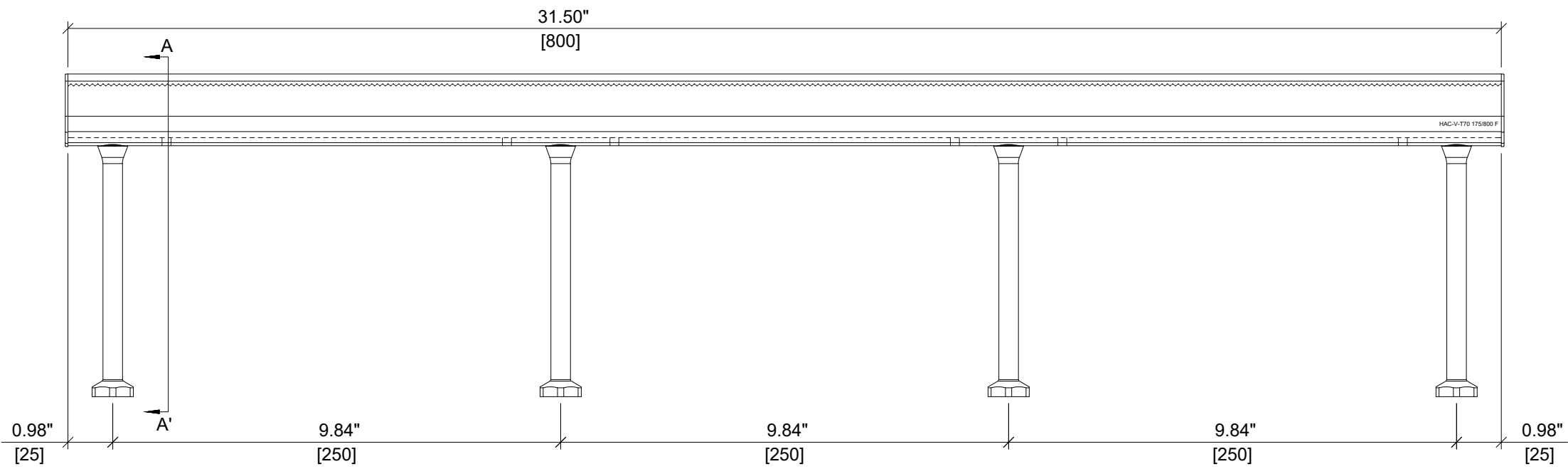


ITEM NUMBER: 2331470	CHANNEL LIP: SERRATED 
--------------------------------	---

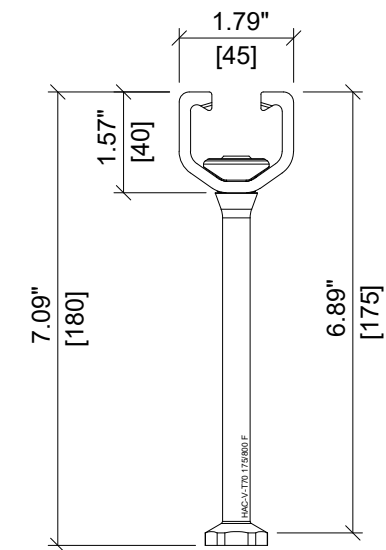
ITEM DESCRIPTION:
HAC-V-T70 175/550 F



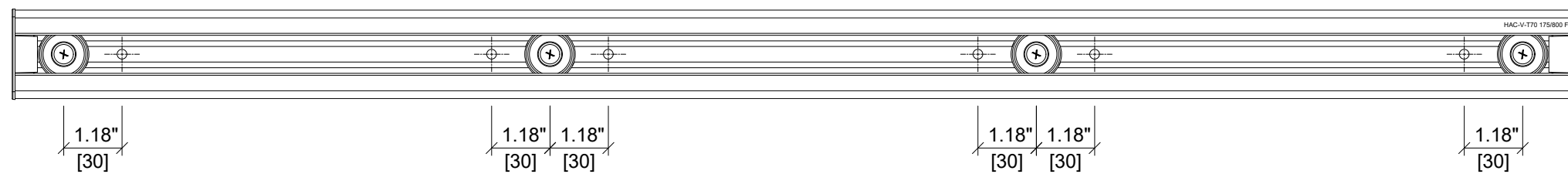
1 2 3 4 5 6 7 8



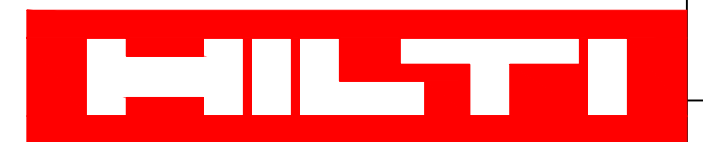
ELEVATION VIEW

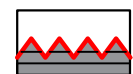


SECTION A-A'



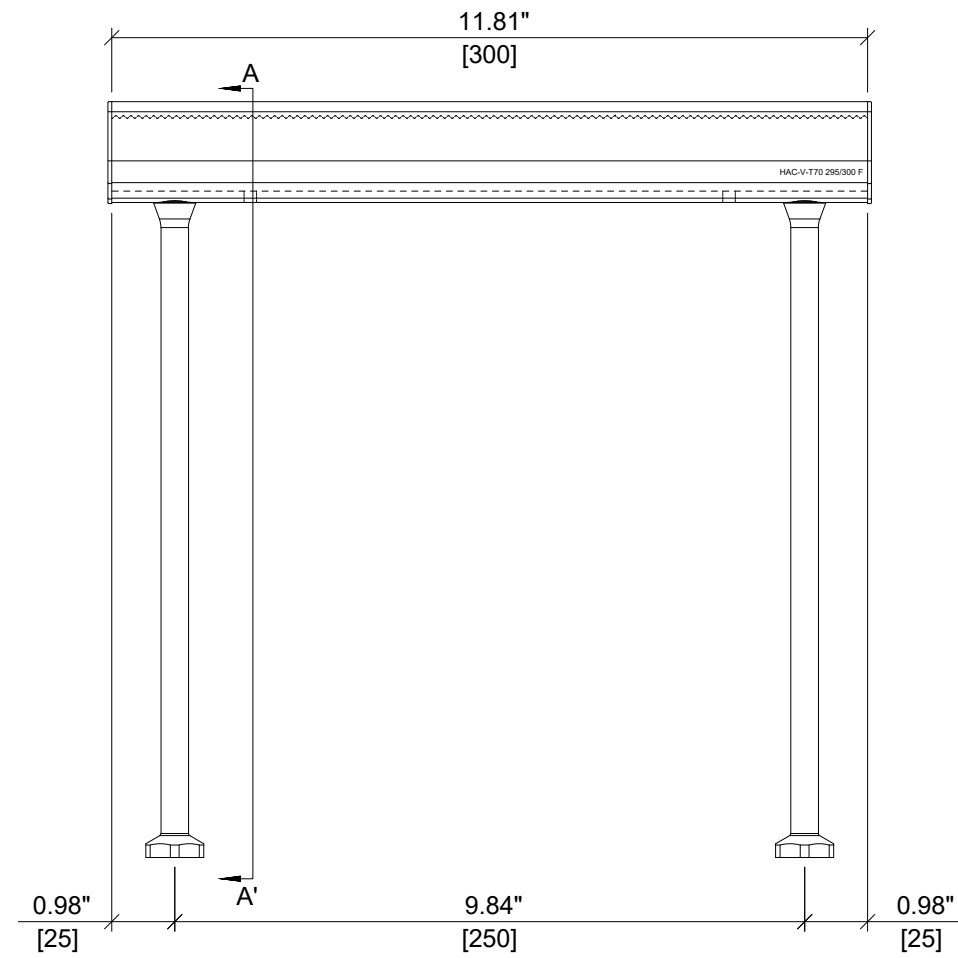
PLAN VIEW



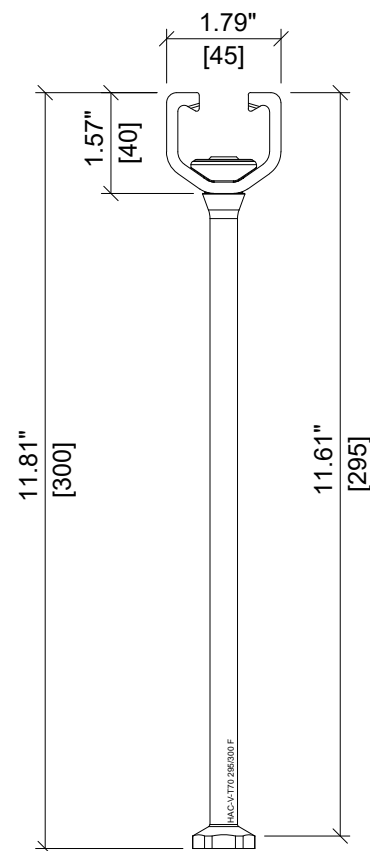
ITEM NUMBER: 2331472	CHANNEL LIP: SERRATED 
--------------------------------	---

ITEM DESCRIPTION:
HAC-V-T70 175/800 F

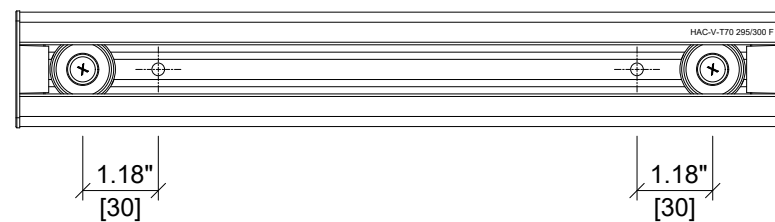




ELEVATION VIEW




SECTION A-A'



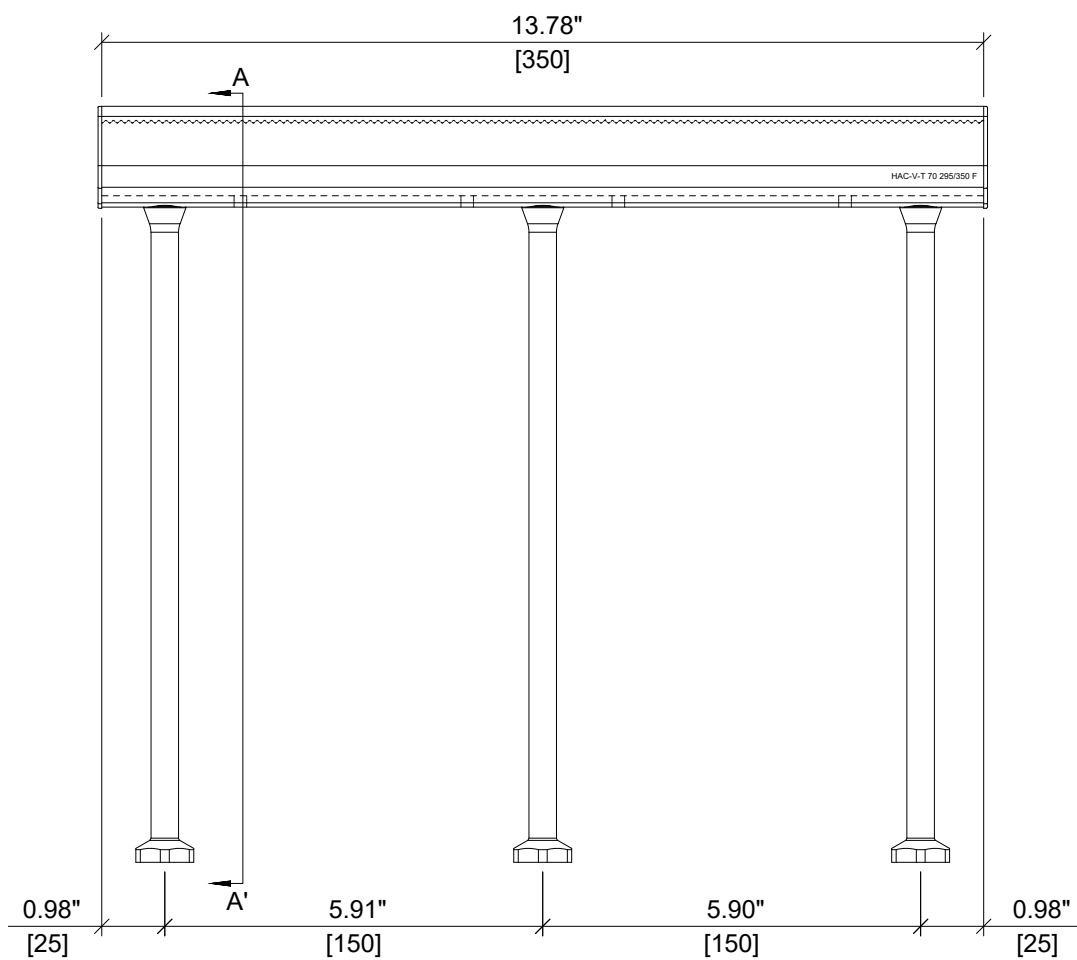
PLAN VIEW



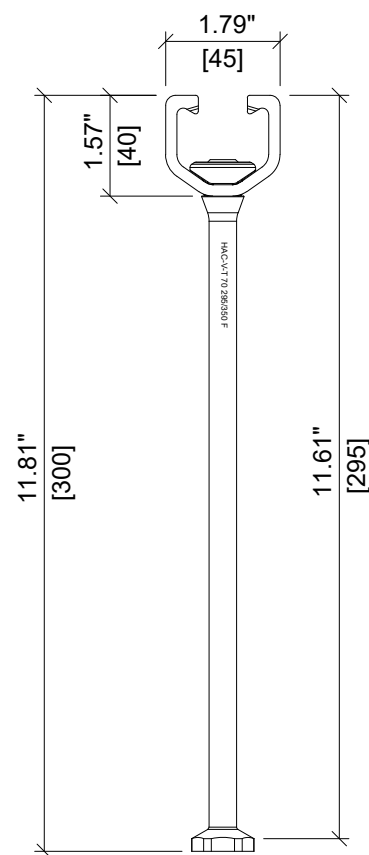
ITEM NUMBER: 2331473	CHANNEL LIP: SERRATED 
--------------------------------	---

ITEM DESCRIPTION:
HAC-V-T70 295/300 F

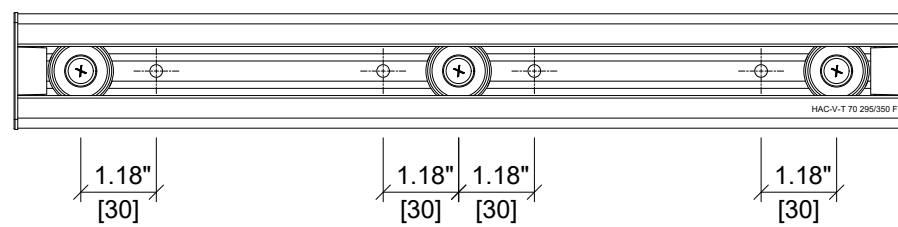




ELEVATION VIEW



SECTION A-A'



PLAN VIEW

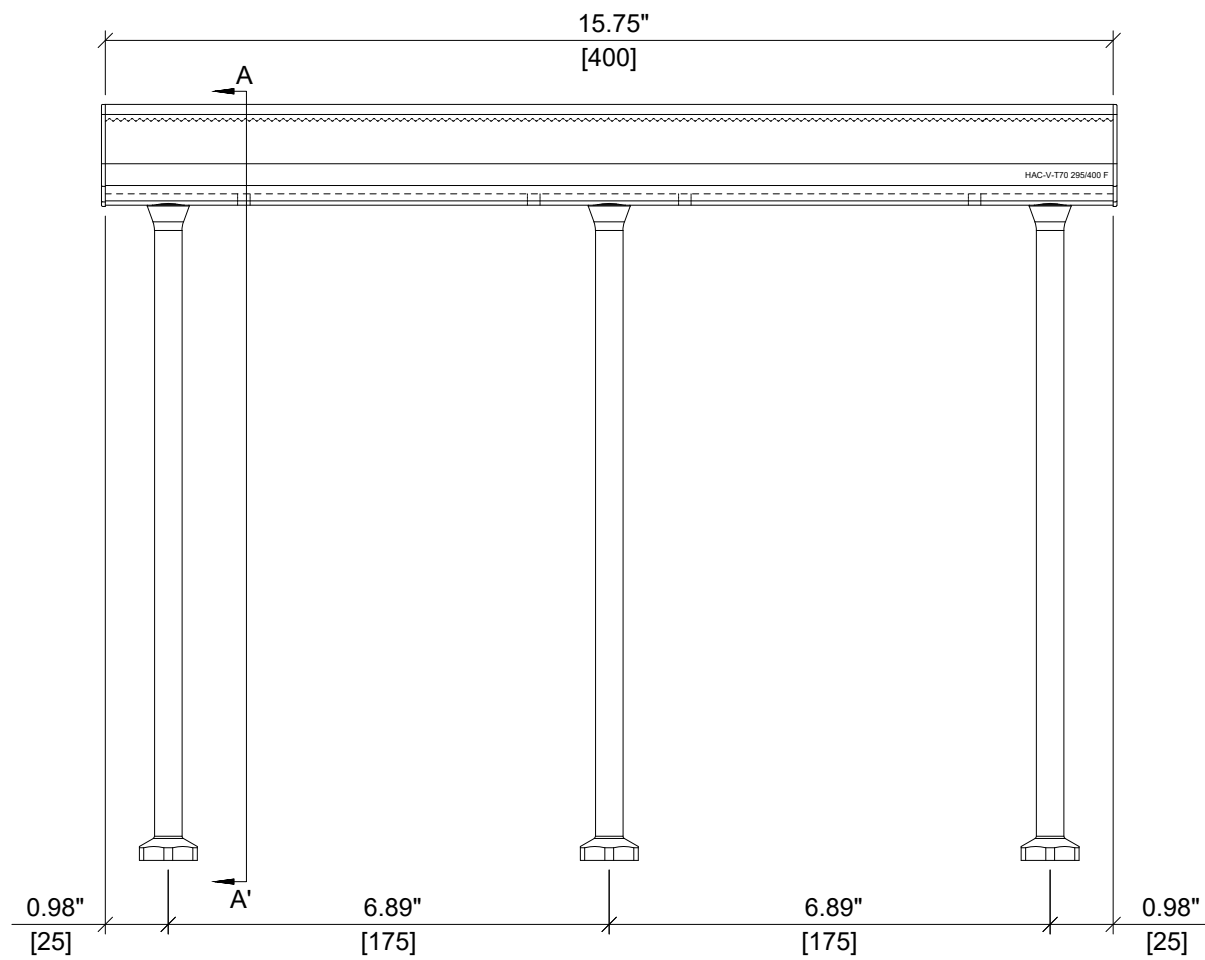


ITEM NUMBER:
2331474

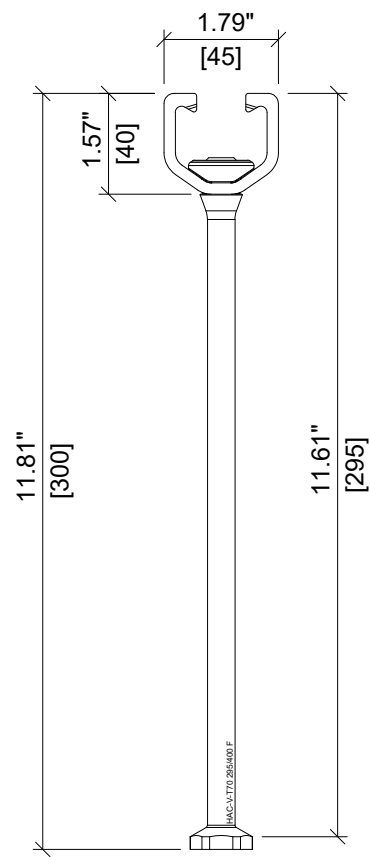
CHANNEL LIP:
SERRATED 

ITEM DESCRIPTION:
HAC-V-T70 295/350 F

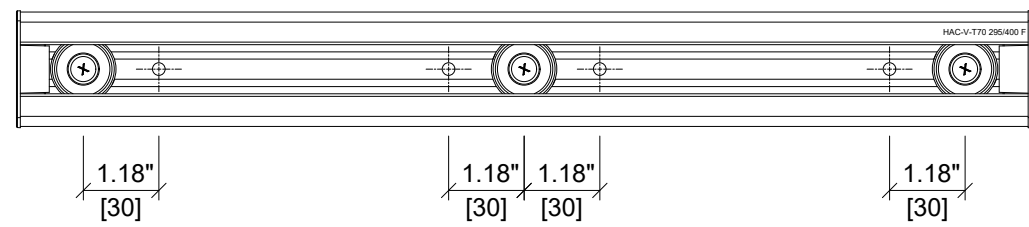




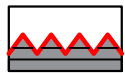
ELEVATION VIEW



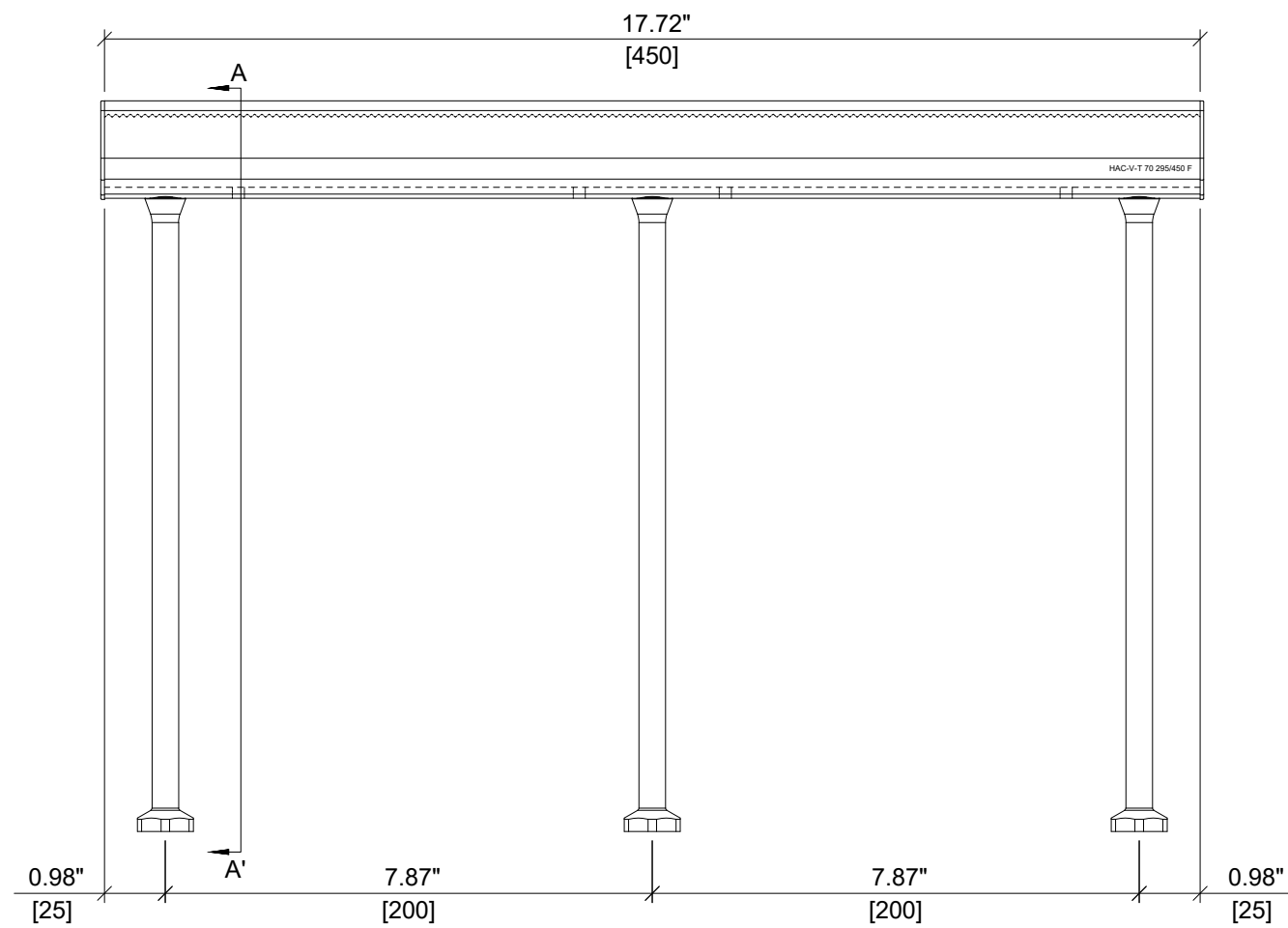
SECTION A-A'



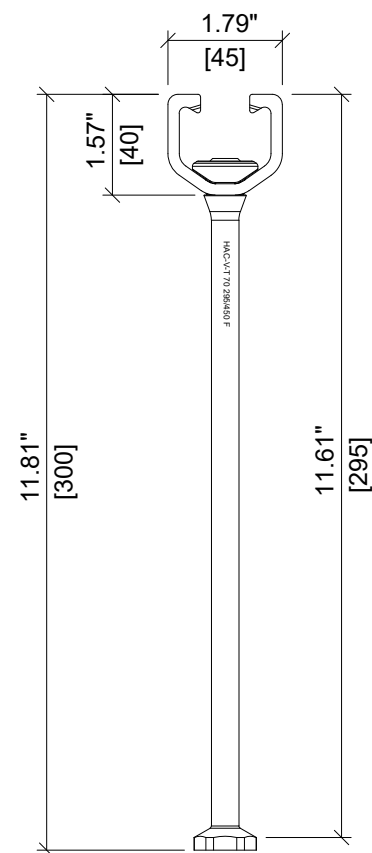
PLAN VIEW

HILTI	
ITEM NUMBER: 2331475	CHANNEL LIP: SERRATED 
ITEM DESCRIPTION: HAC-V-T70 295/400 F	

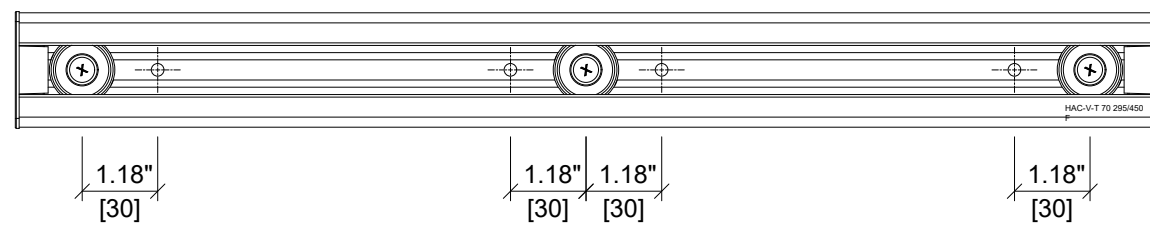




ELEVATION VIEW



SECTION A-A'



PLAN VIEW

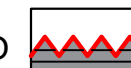


ITEM NUMBER:

2331476

CHANNEL LIP:

SERRATED

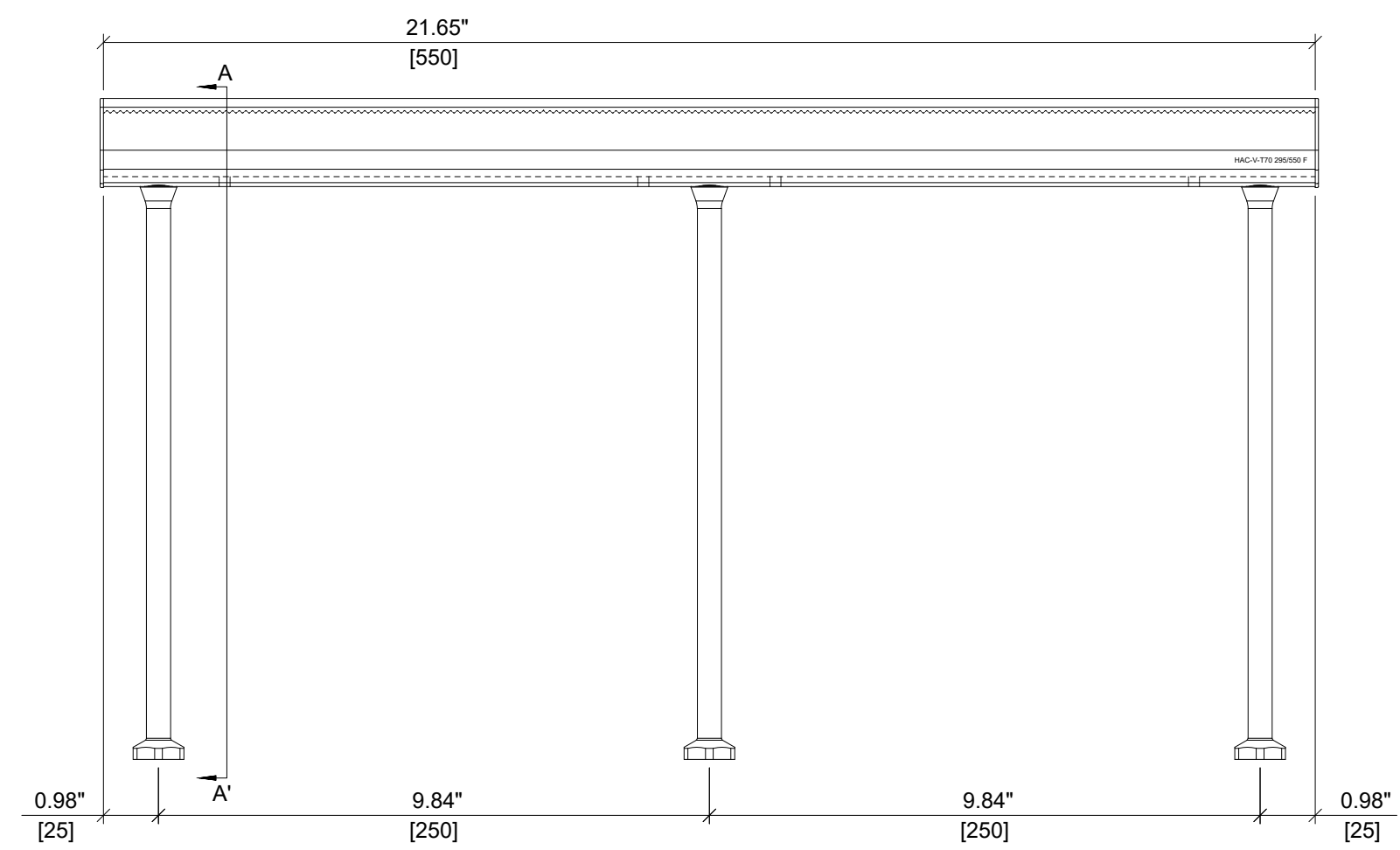


ITEM DESCRIPTION:

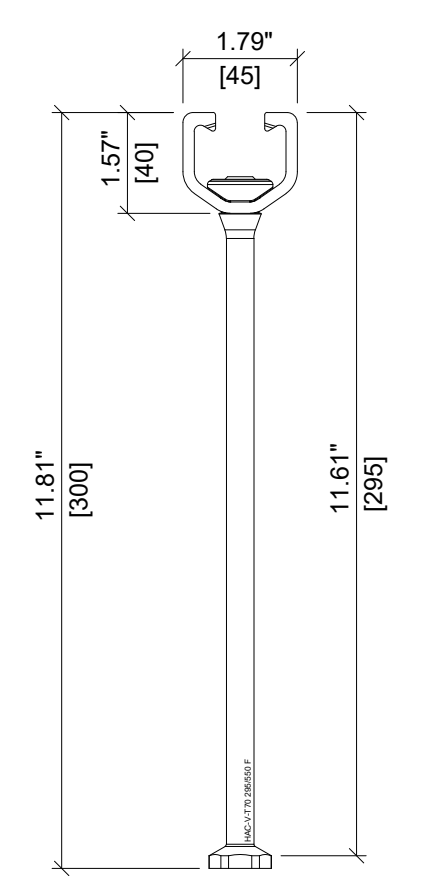
HAC-V-T70 295/450 F



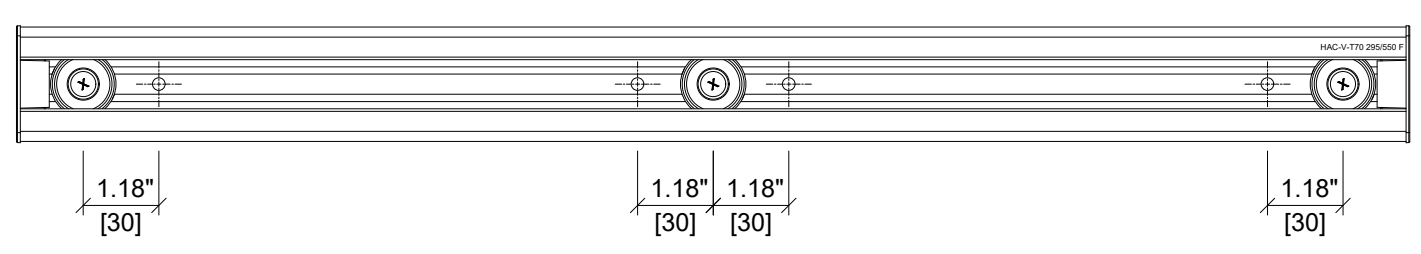
1 2 3 4 5 6 7 8



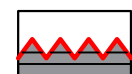
ELEVATION VIEW



SECTION A-A'

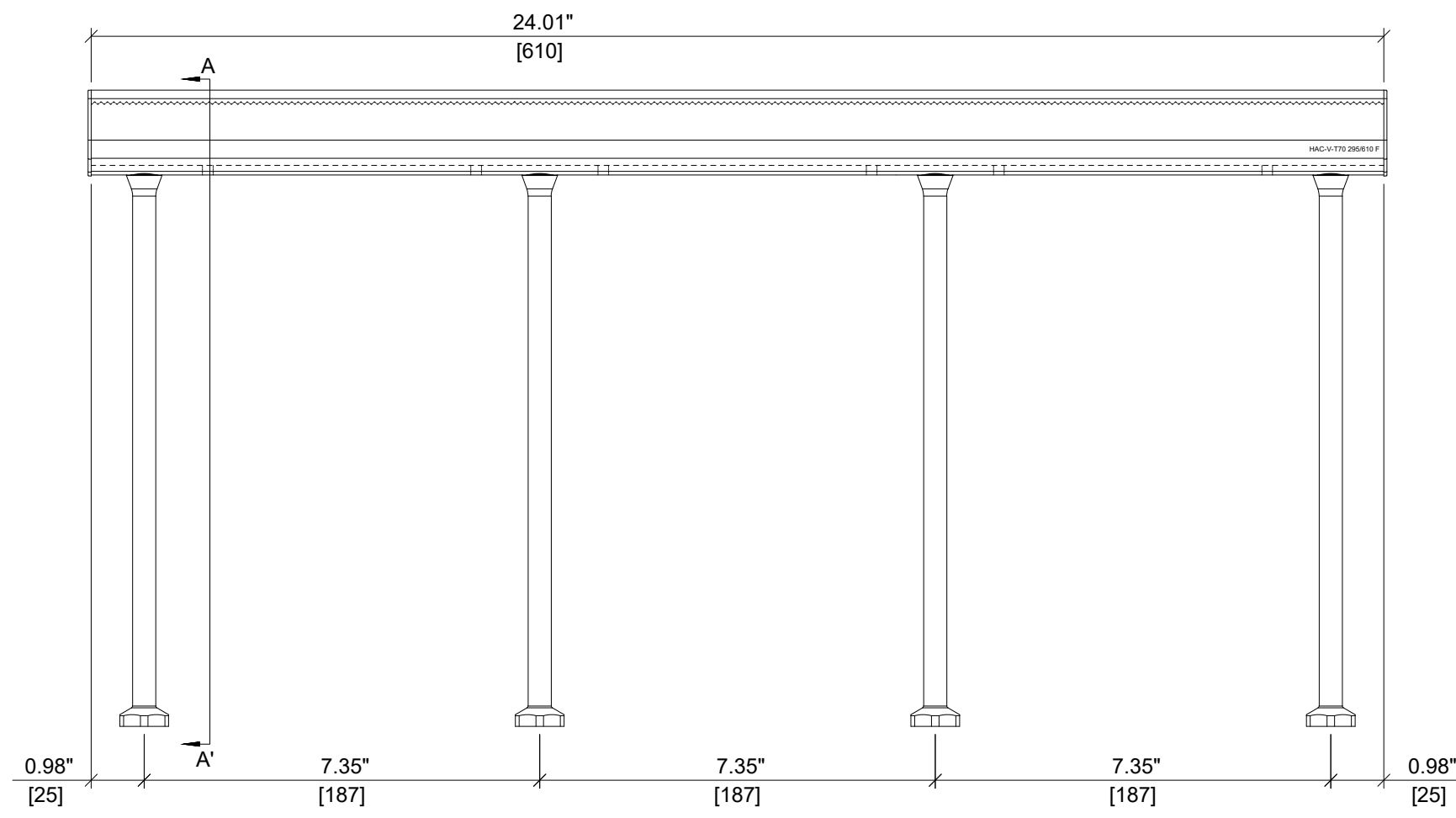


PLAN VIEW

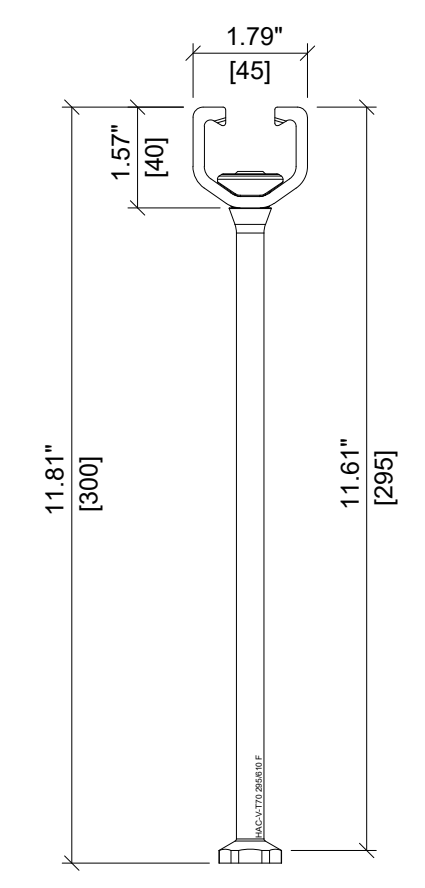
HILTI	
ITEM NUMBER: 2331477	CHANNEL LIP: SERRATED 
ITEM DESCRIPTION: HAC-V-T70 295/550 F	



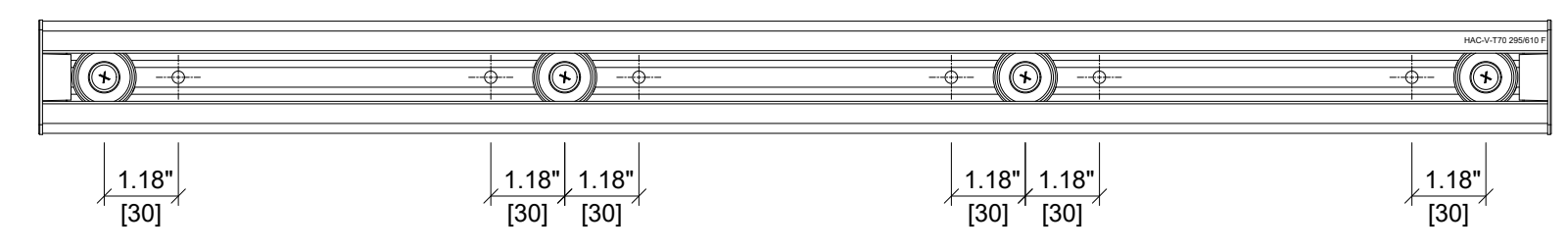
1 2 3 4 5 6 7 8



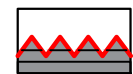
ELEVATION VIEW



SECTION A-A'



PLAN VIEW

HILTI	
ITEM NUMBER: 2331478	CHANNEL LIP: SERRATED 
ITEM DESCRIPTION: HAC-V-T70 295/610 F	

