
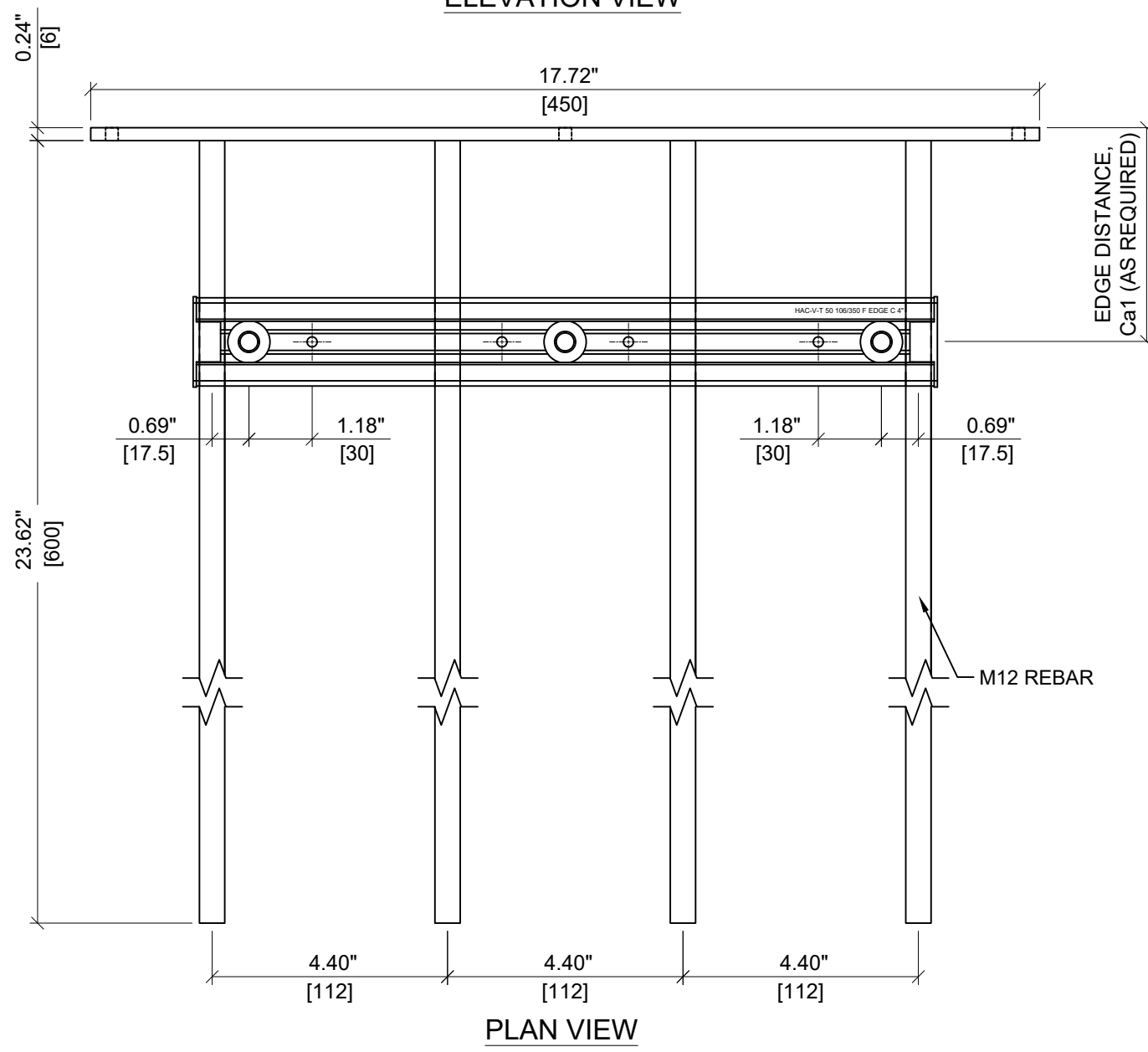
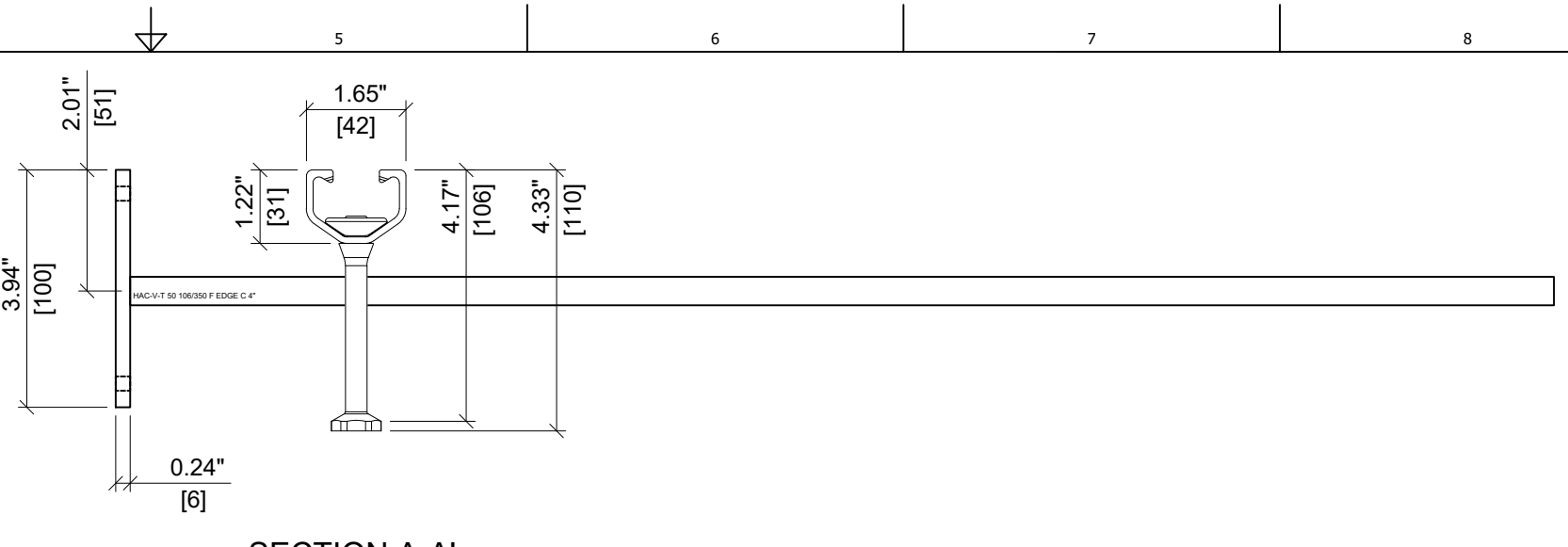
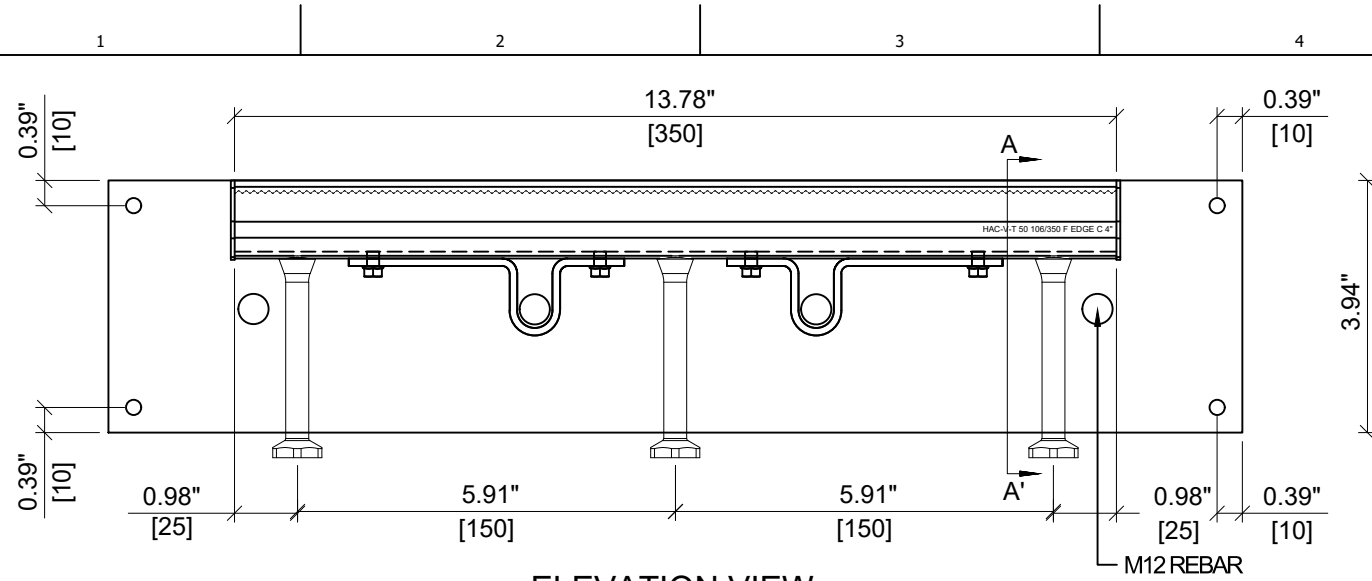
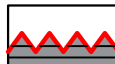


ITEM NUMBER: 2366652	CHANNEL LIP: SERRATED 
ITEM DESCRIPTION: HAC-V-T 50 106/300 F EDGE C 4"	

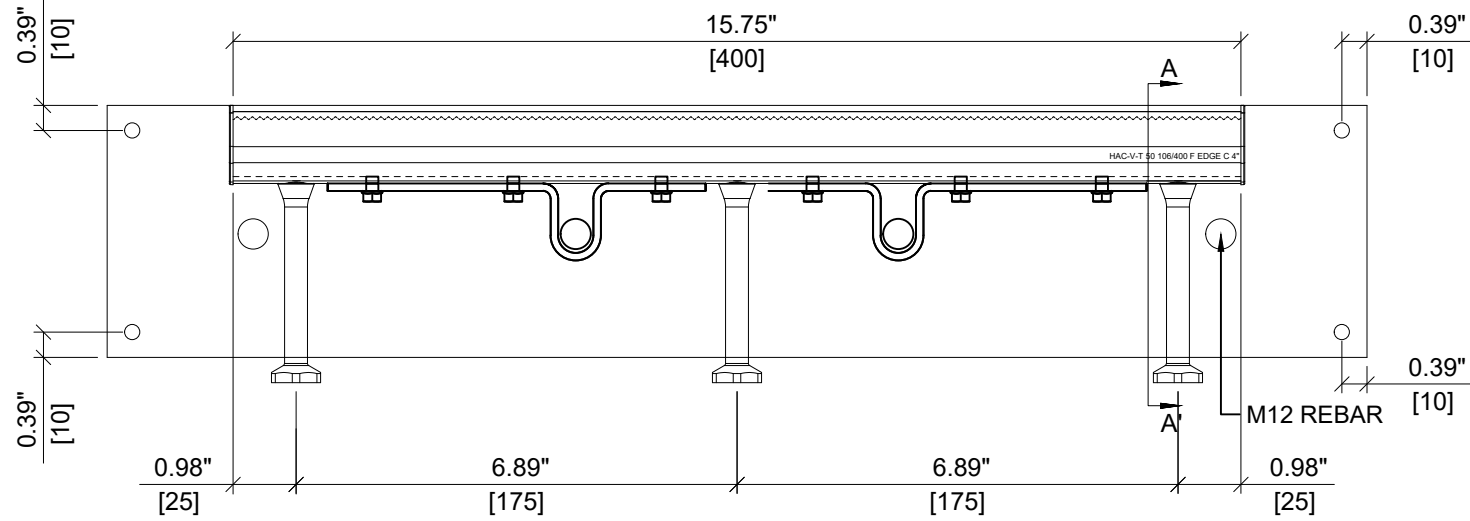




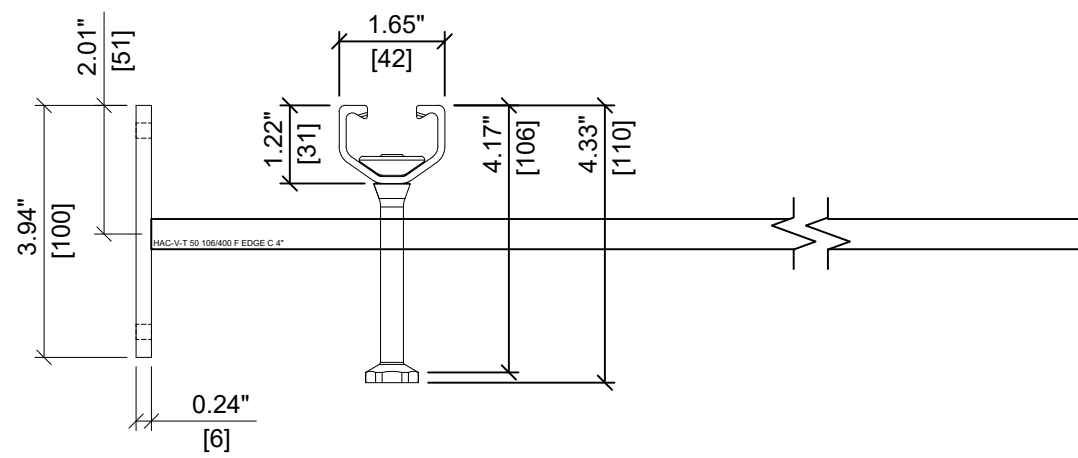
HILTI

ITEM NUMBER: 2366653	CHANNEL LIP: SERRATED 
ITEM DESCRIPTION: HAC-V-T 50 106/350 F EDGE C 4"	

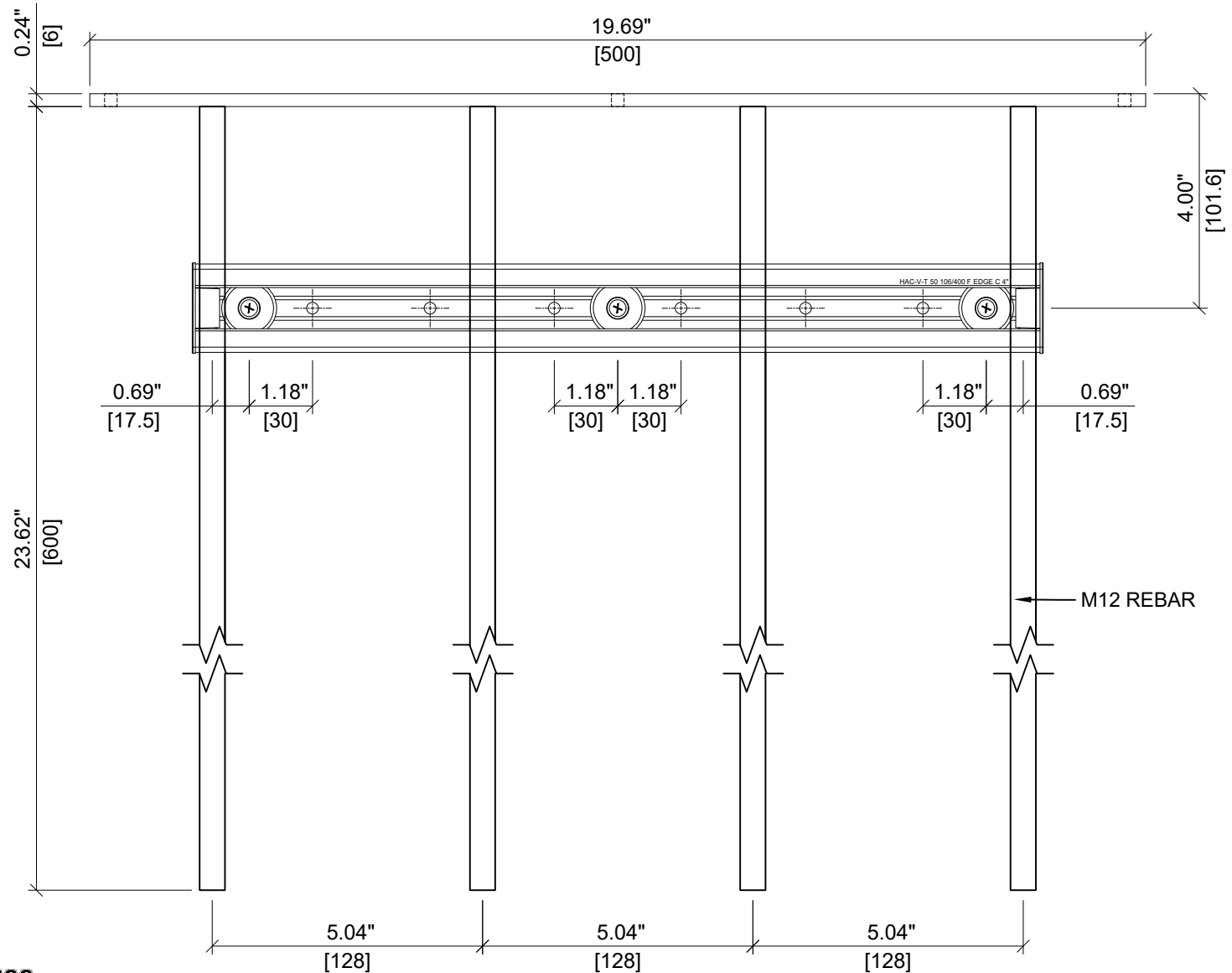




ELEVATION VIEW

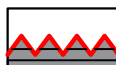


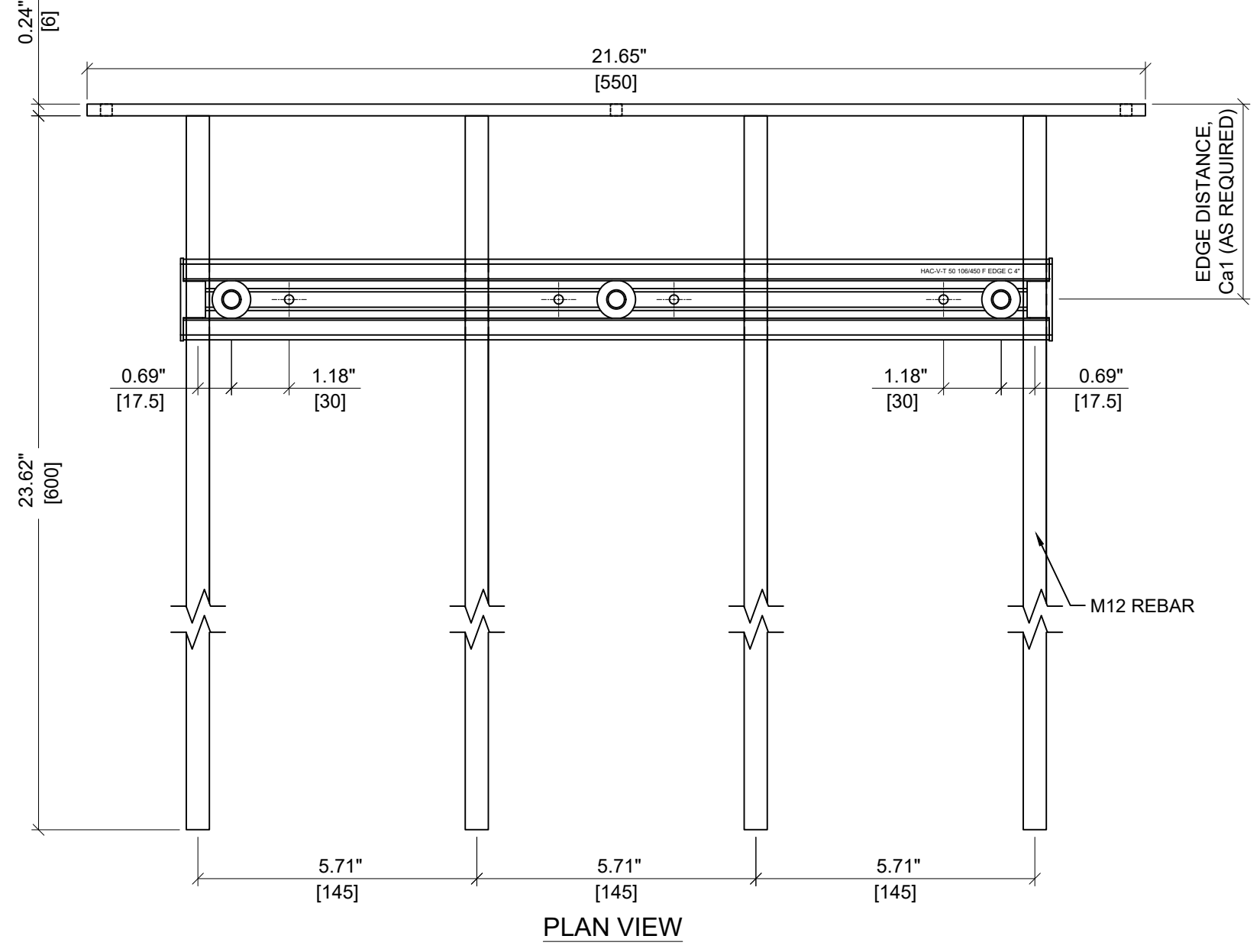
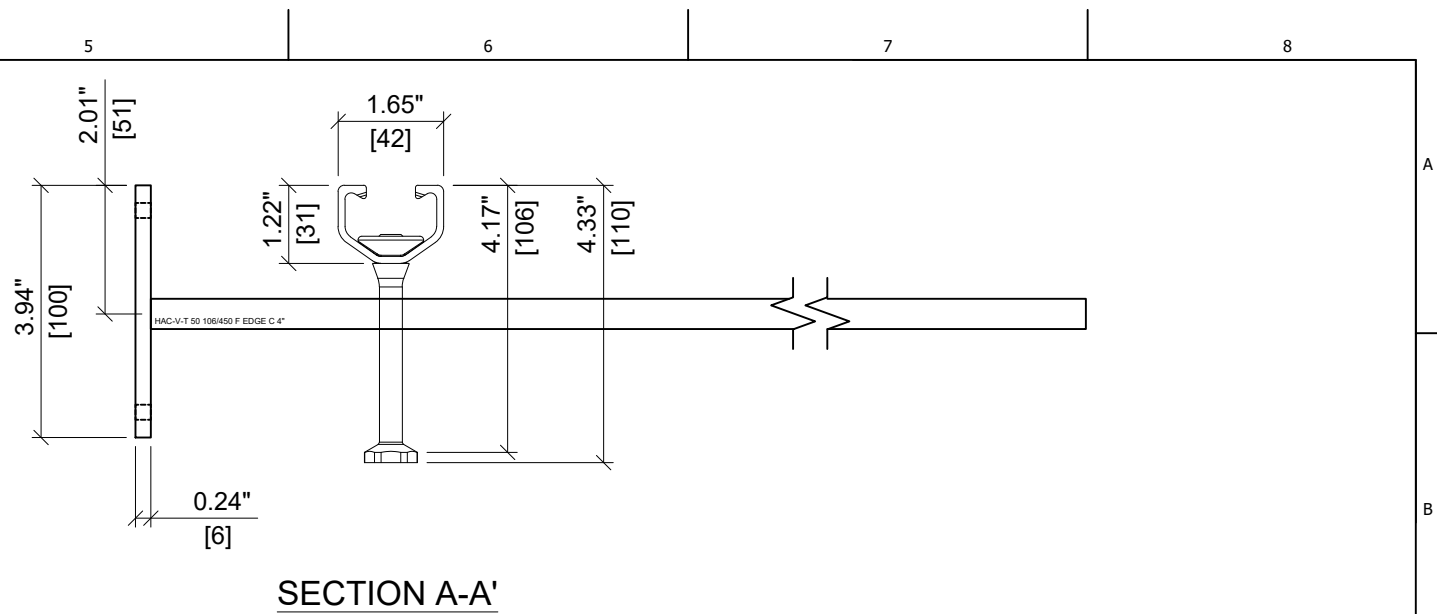
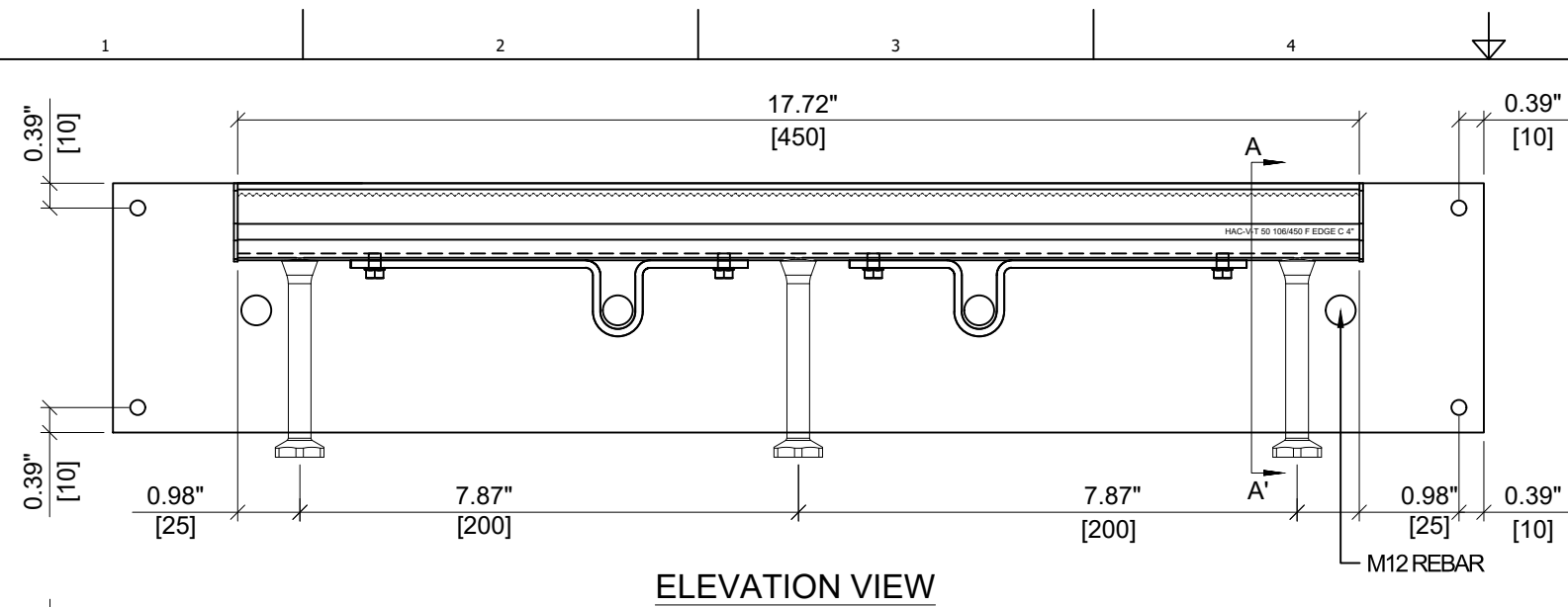
SECTION A-A'



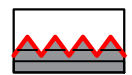
PLAN VIEW



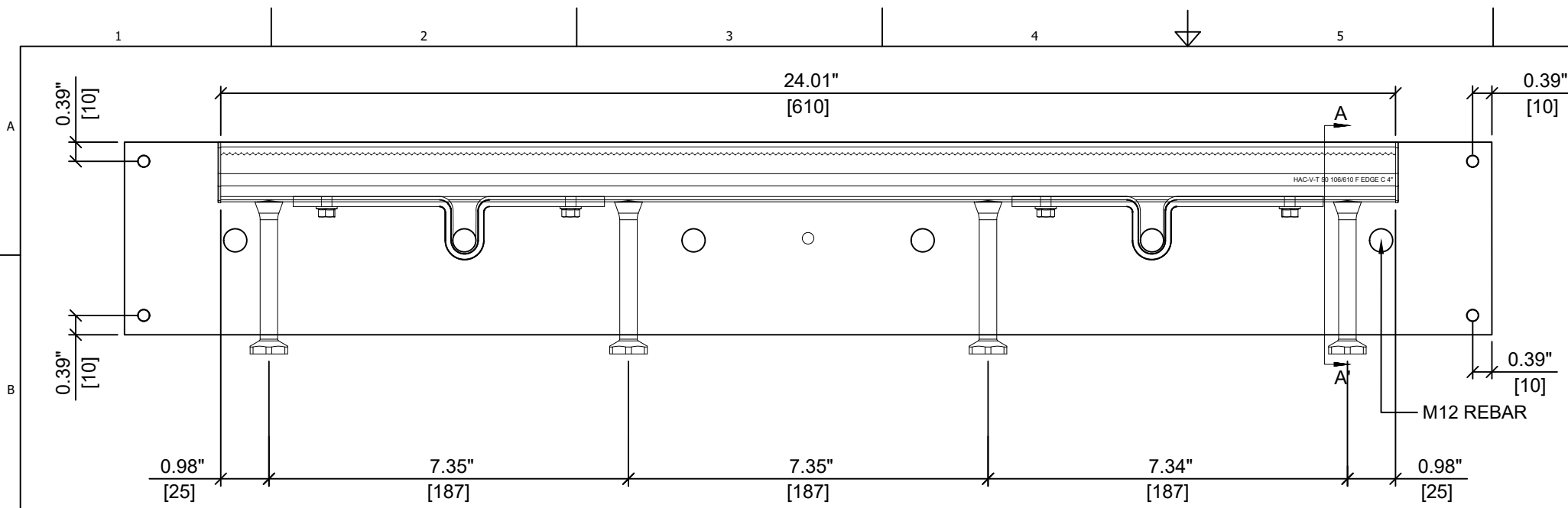
HILTI	
ITEM NUMBER: 2366654	CHANNEL LIP: SERRATED 
ITEM DESCRIPTION: HAC-V-T 50 106/400 F EDGE C 4"	



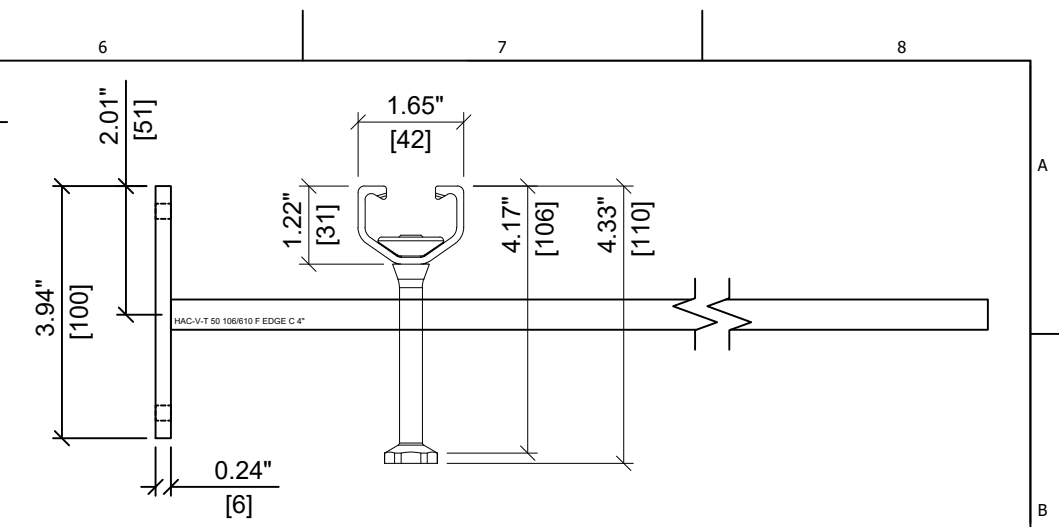
HILTI

ITEM NUMBER: 2366655	CHANNEL LIP: SERRATED 
ITEM DESCRIPTION: HAC-V-T 50 106/450 F EDGE C 4"	

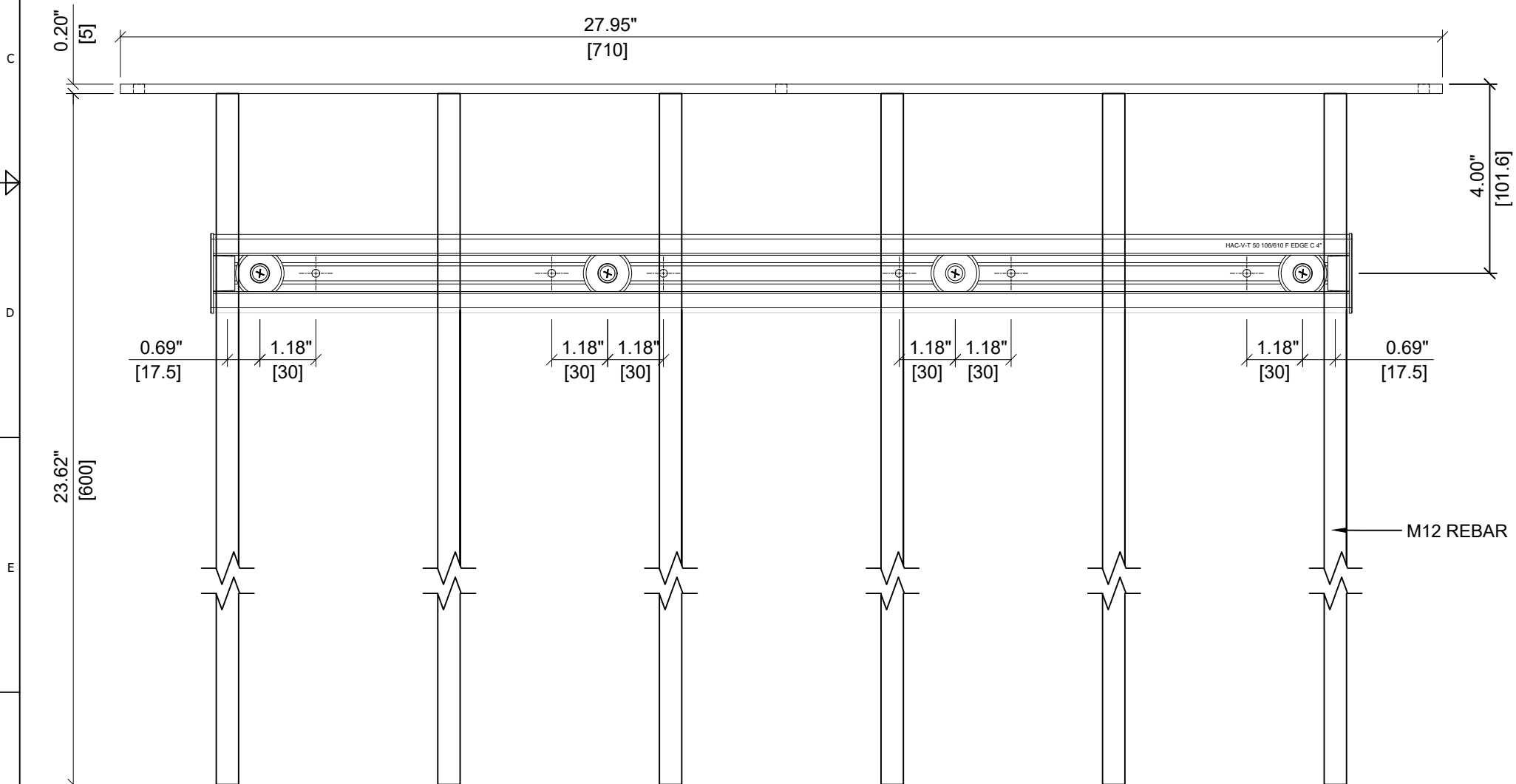




ELEVATION VIEW

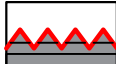


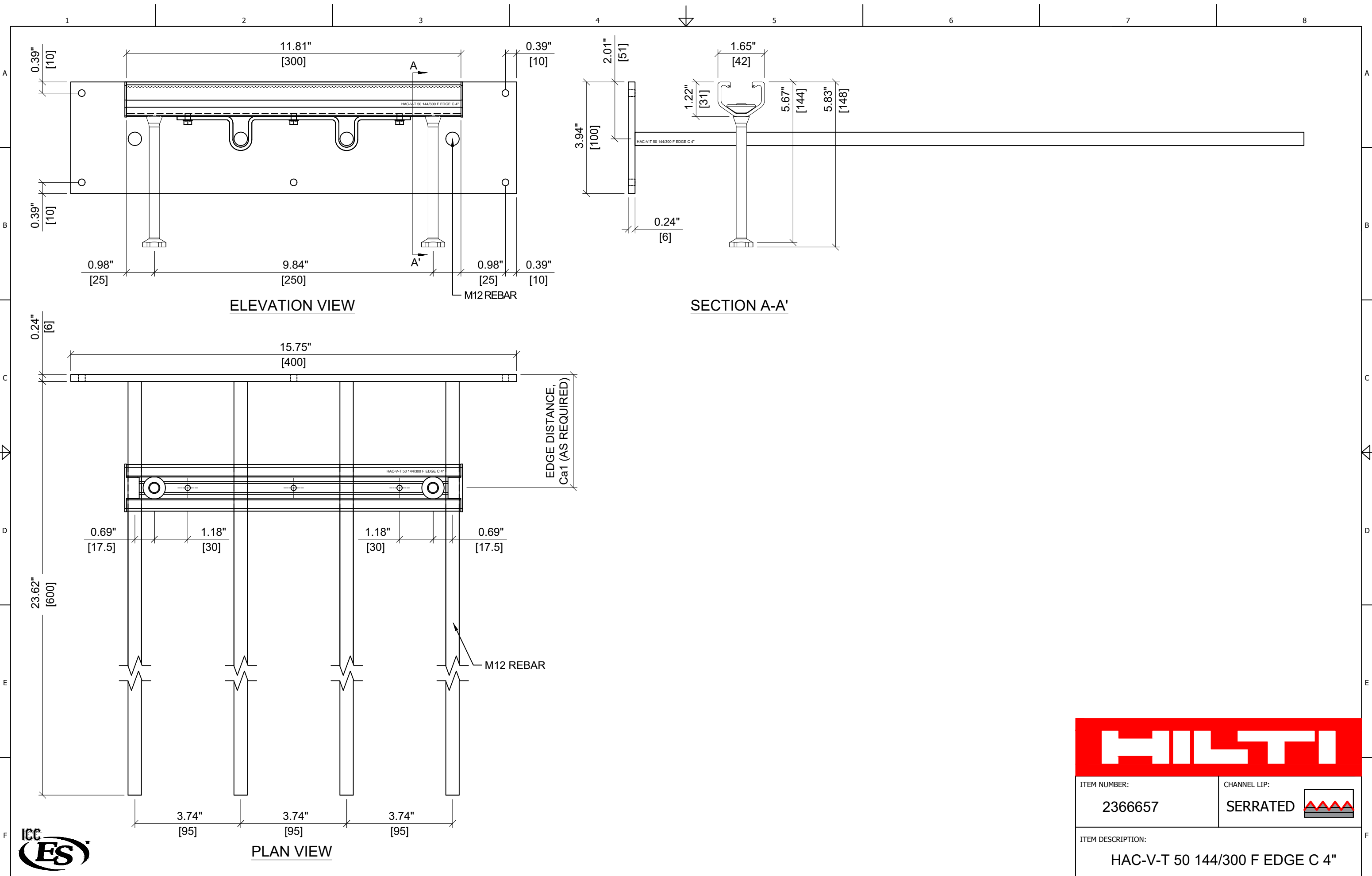
SECTION A-A'

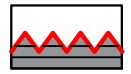


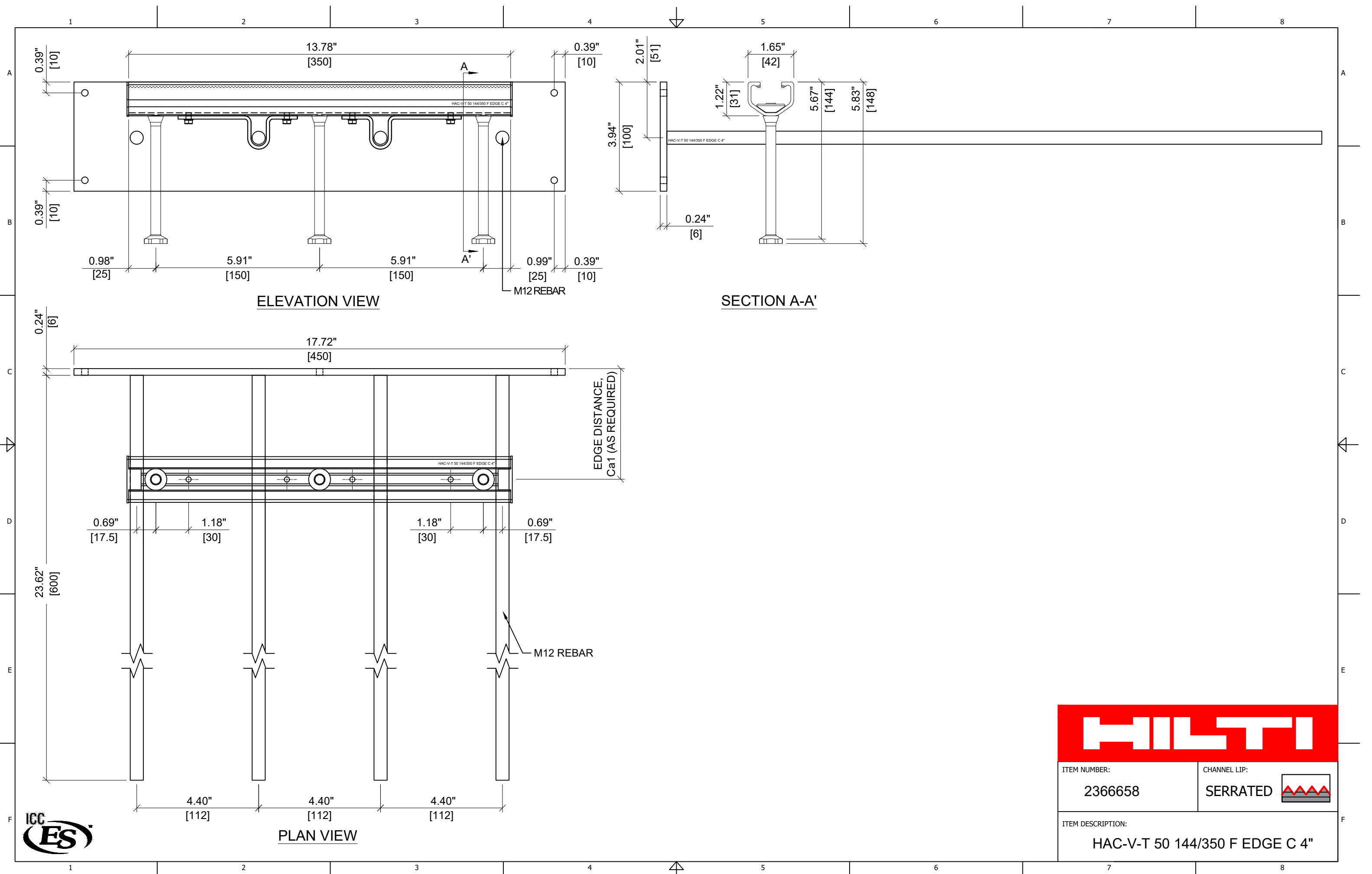
PLAN VIEW

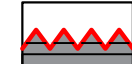


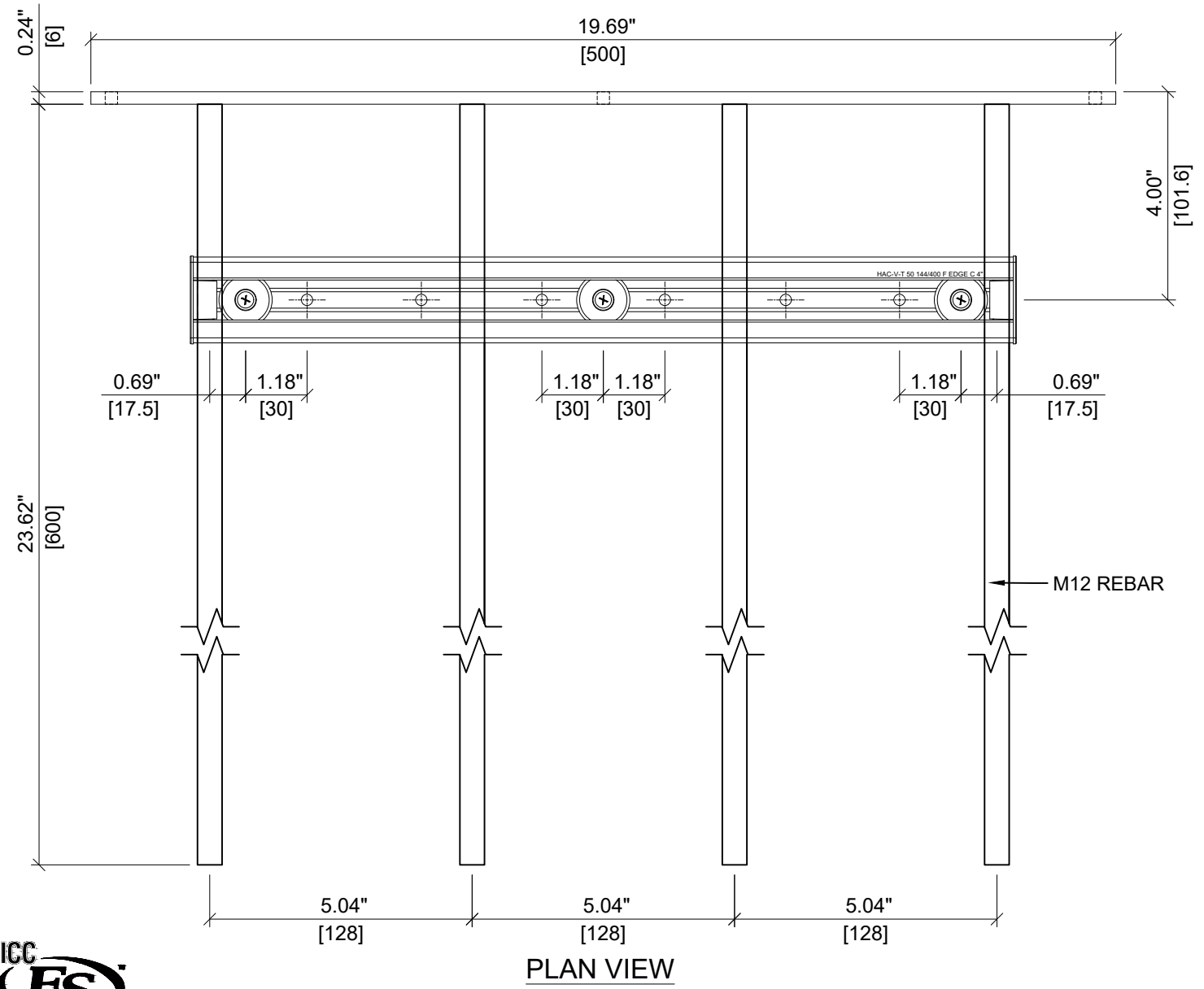
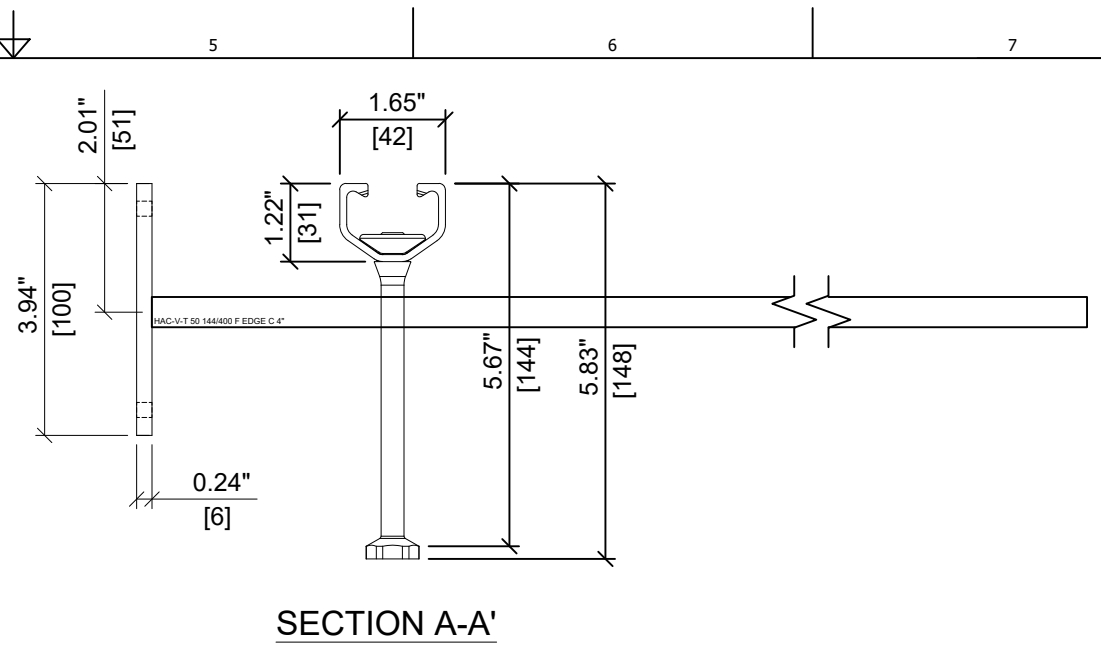
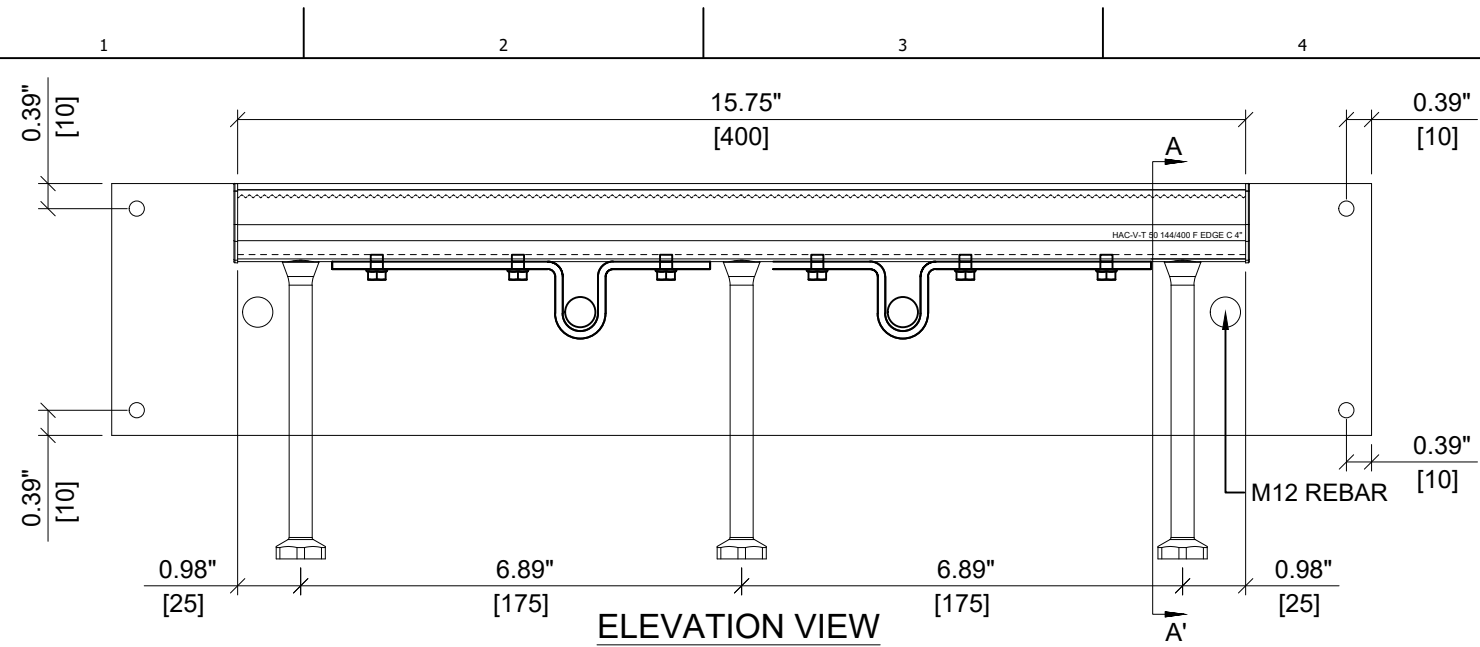
ITEM NUMBER: 2366656	CHANNEL LIP: SERRATED 
ITEM DESCRIPTION: HAC-V-T 50 106/610 F EDGE C 4"	




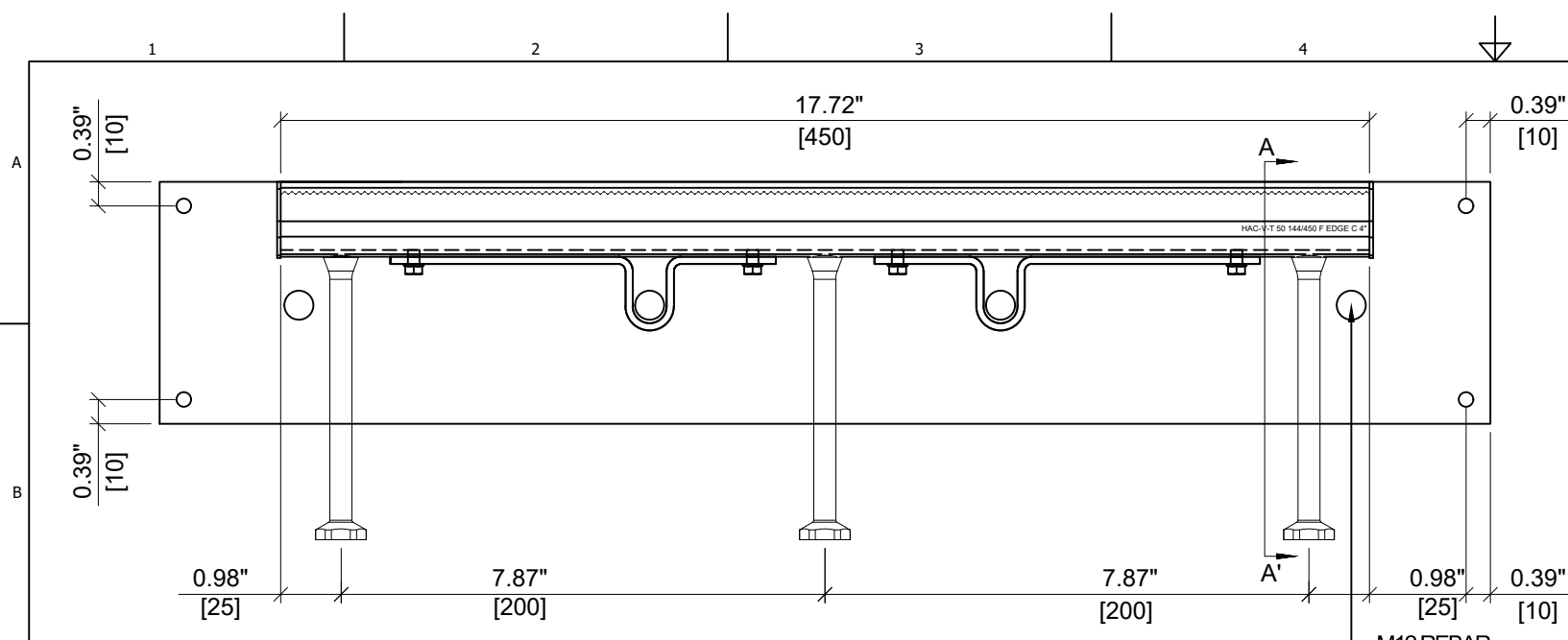
HILTI	
ITEM NUMBER: 2366657	CHANNEL LIP: SERRATED 
ITEM DESCRIPTION: HAC-V-T 50 144/300 F EDGE C 4"	



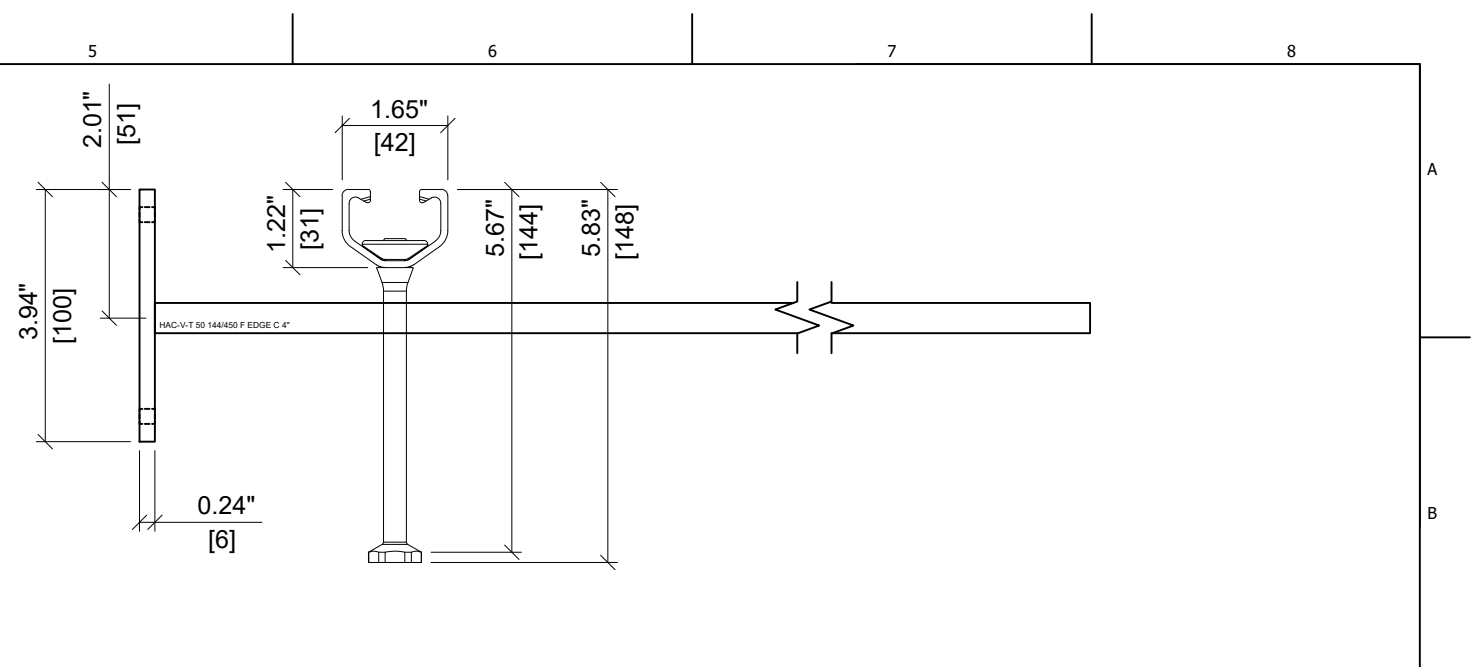
HILTI	
ITEM NUMBER: 2366658	CHANNEL LIP: SERRATED 
ITEM DESCRIPTION: HAC-V-T 50 144/350 F EDGE C 4"	



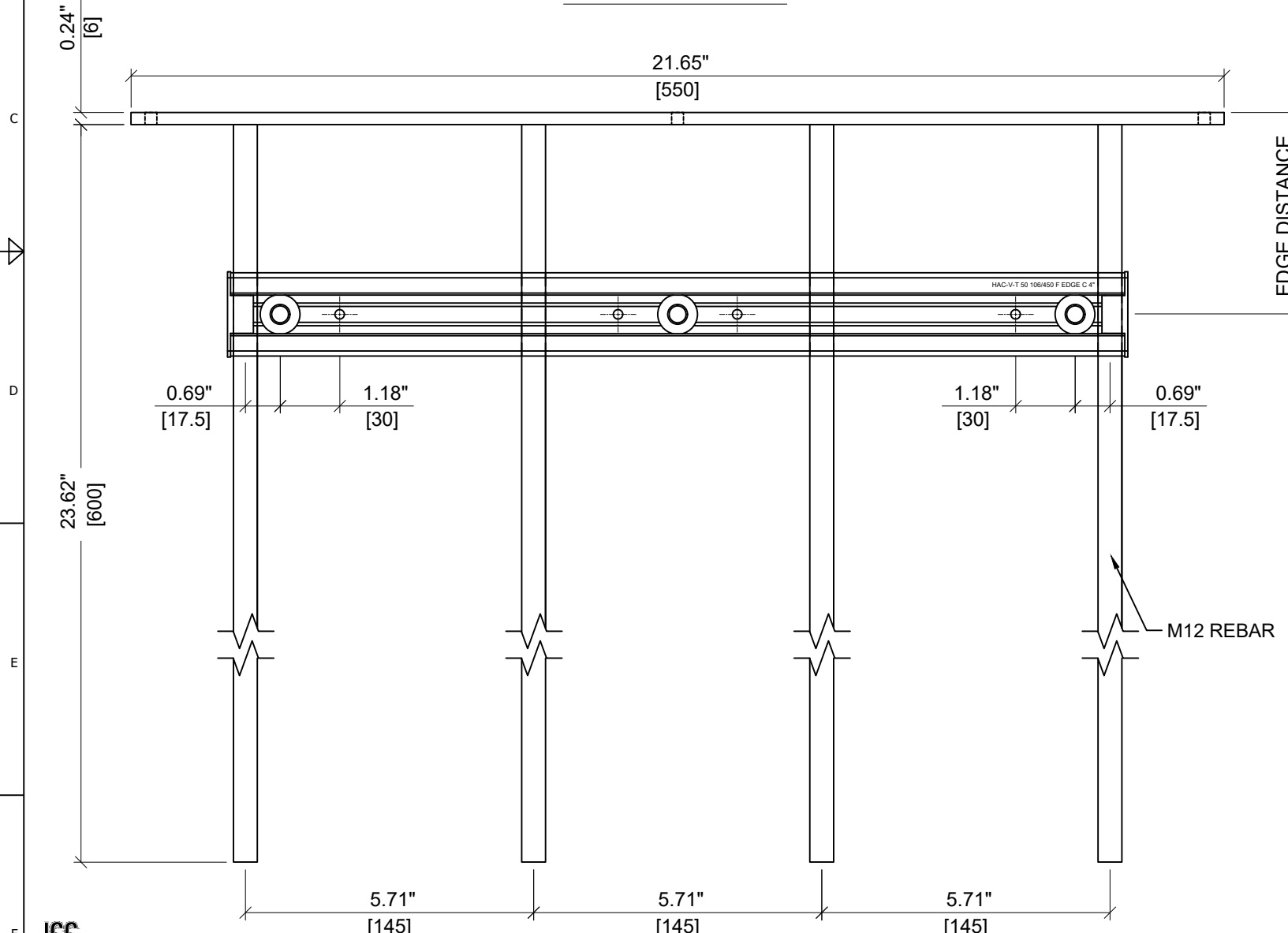
HILTI	
ITEM NUMBER: 2366659	CHANNEL LIP: SERRATED 
ITEM DESCRIPTION: HAC-V-T 50 144/400 F EDGE C 4"	



ELEVATION VIEW




SECTION A-A'

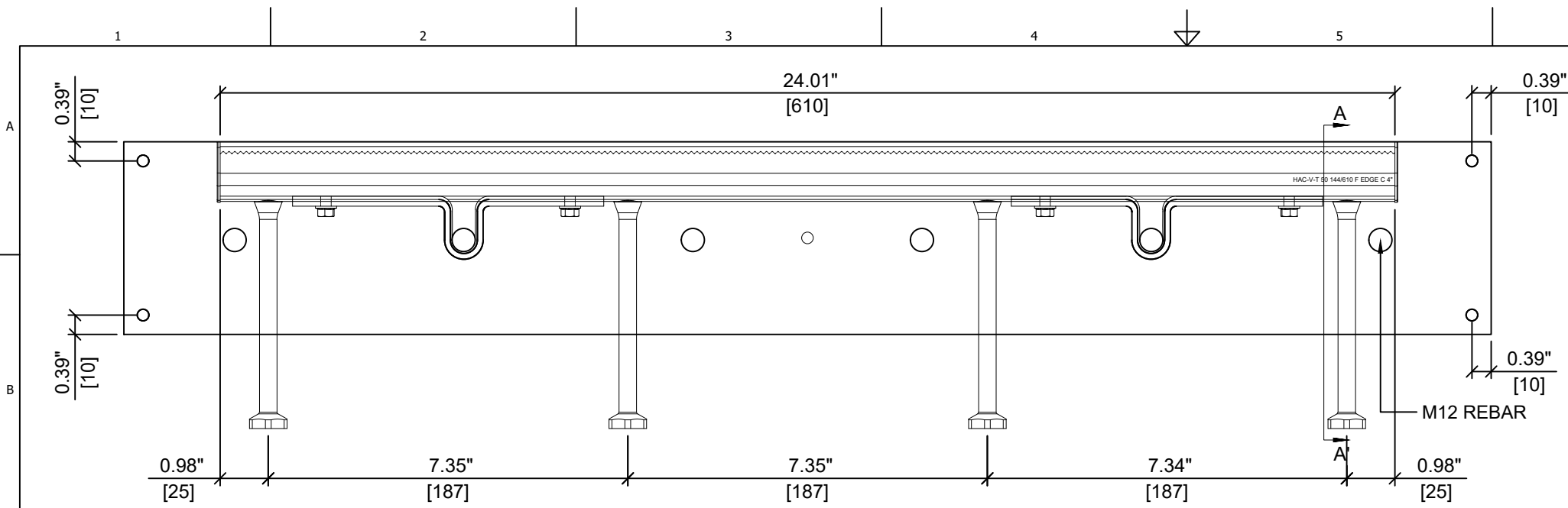


PLAN VIEW

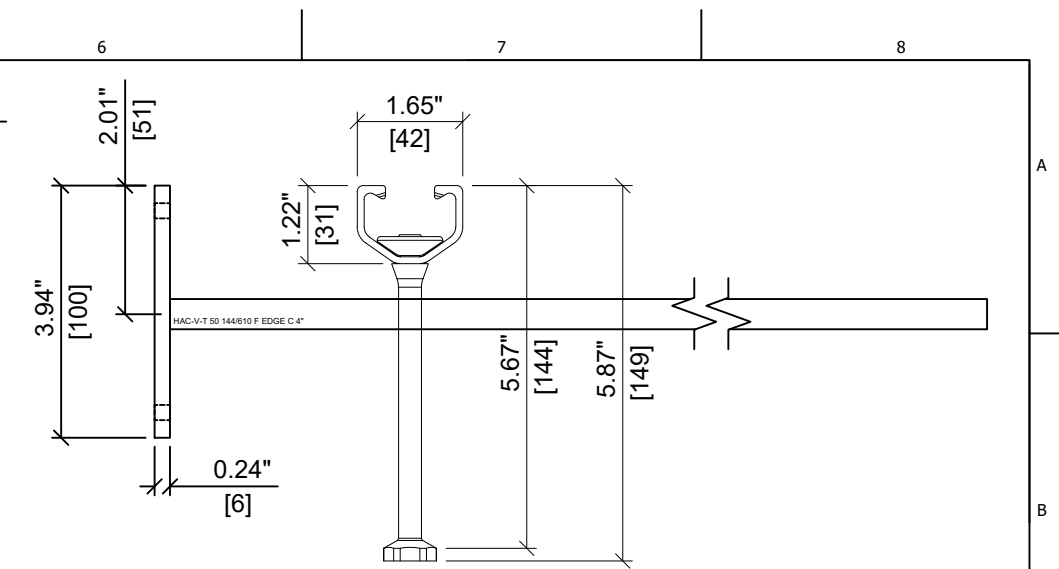
EDGE DISTANCE, Ca1 (AS REQUIRED)



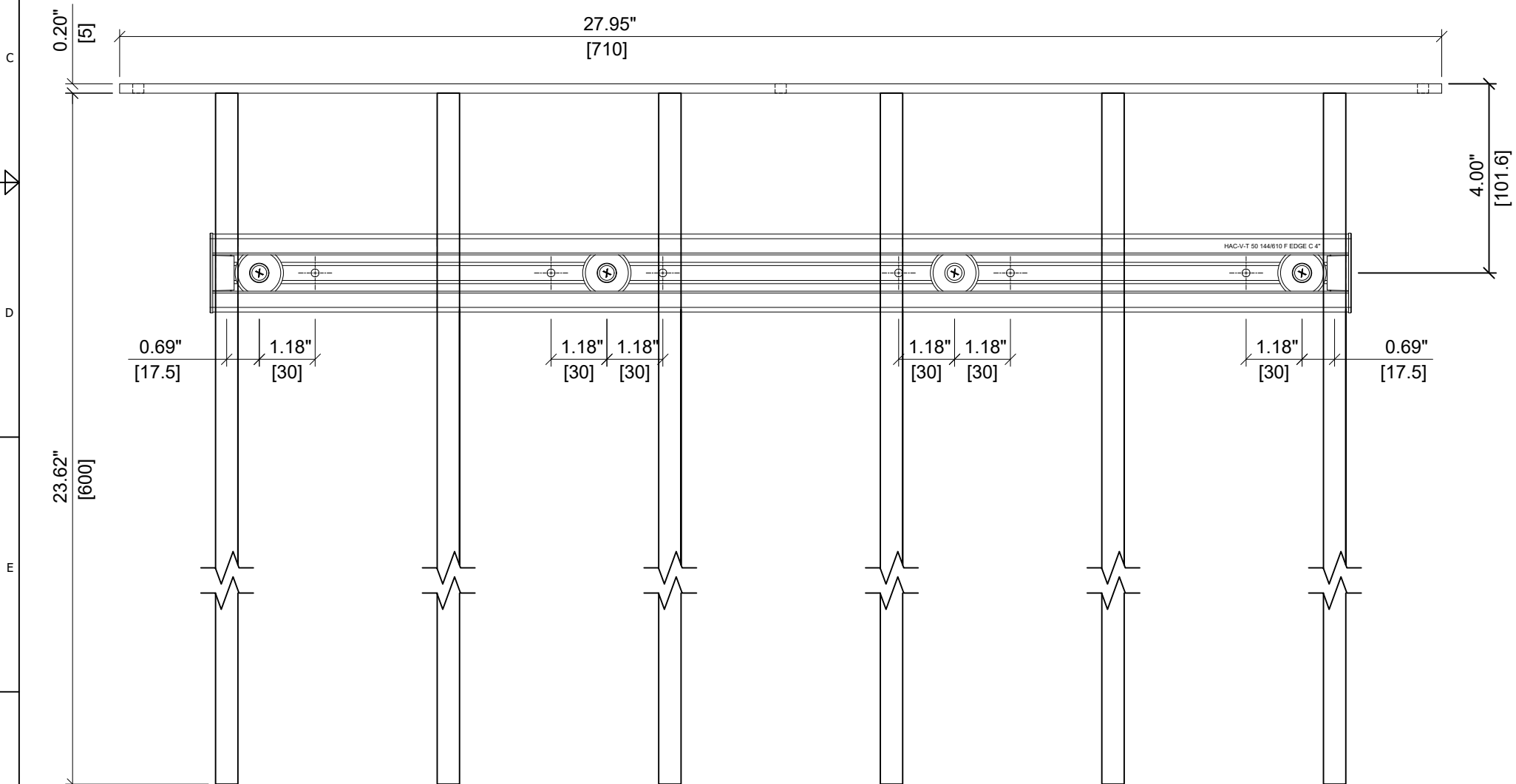
HILTI	
ITEM NUMBER: 2366660	CHANNEL LIP: SERRATED 
ITEM DESCRIPTION: HAC-V-T 50 144/450 F EDGE C 4"	



ELEVATION VIEW

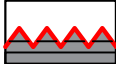


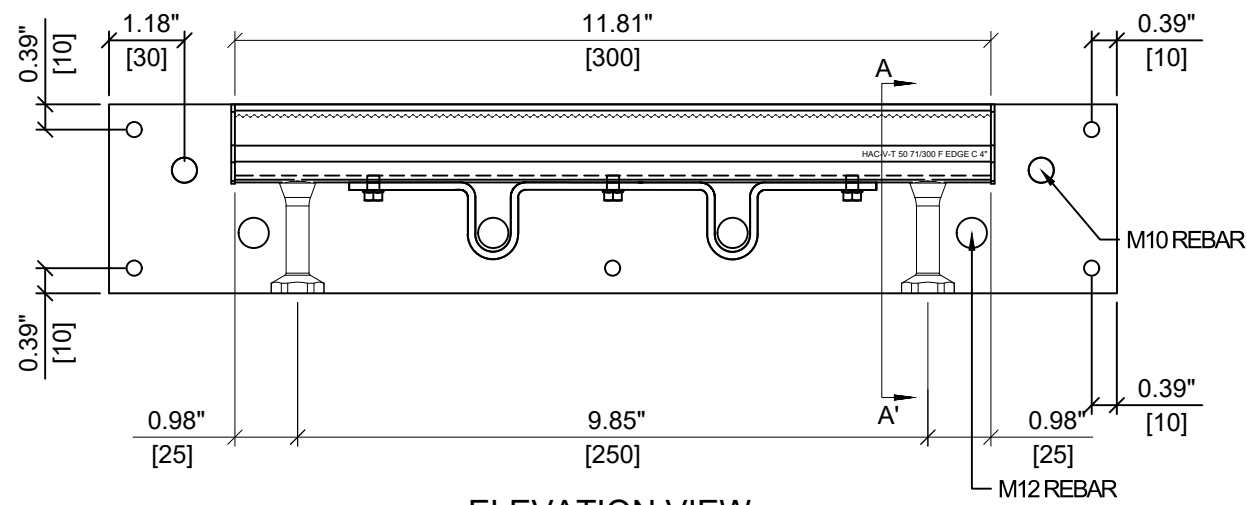
SECTION A-A'



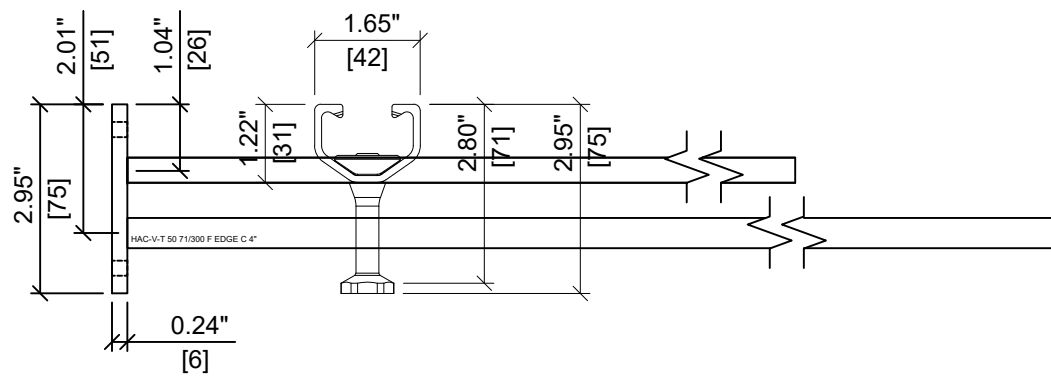
PLAN VIEW



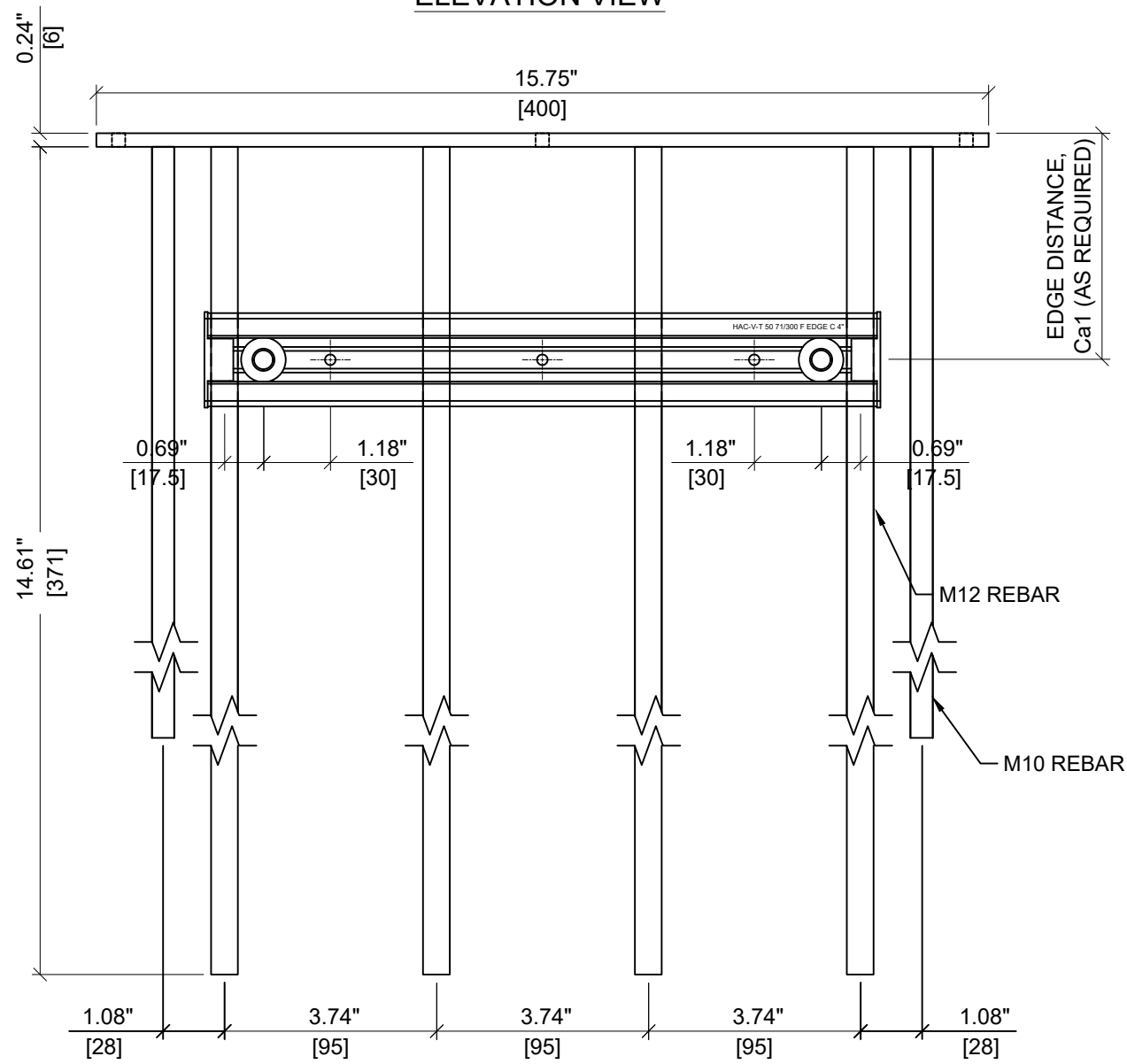
ITEM NUMBER: 2366661	CHANNEL LIP: SERRATED 
ITEM DESCRIPTION: HAC-V-T 50 144/610 F EDGE C 4"	



ELEVATION VIEW



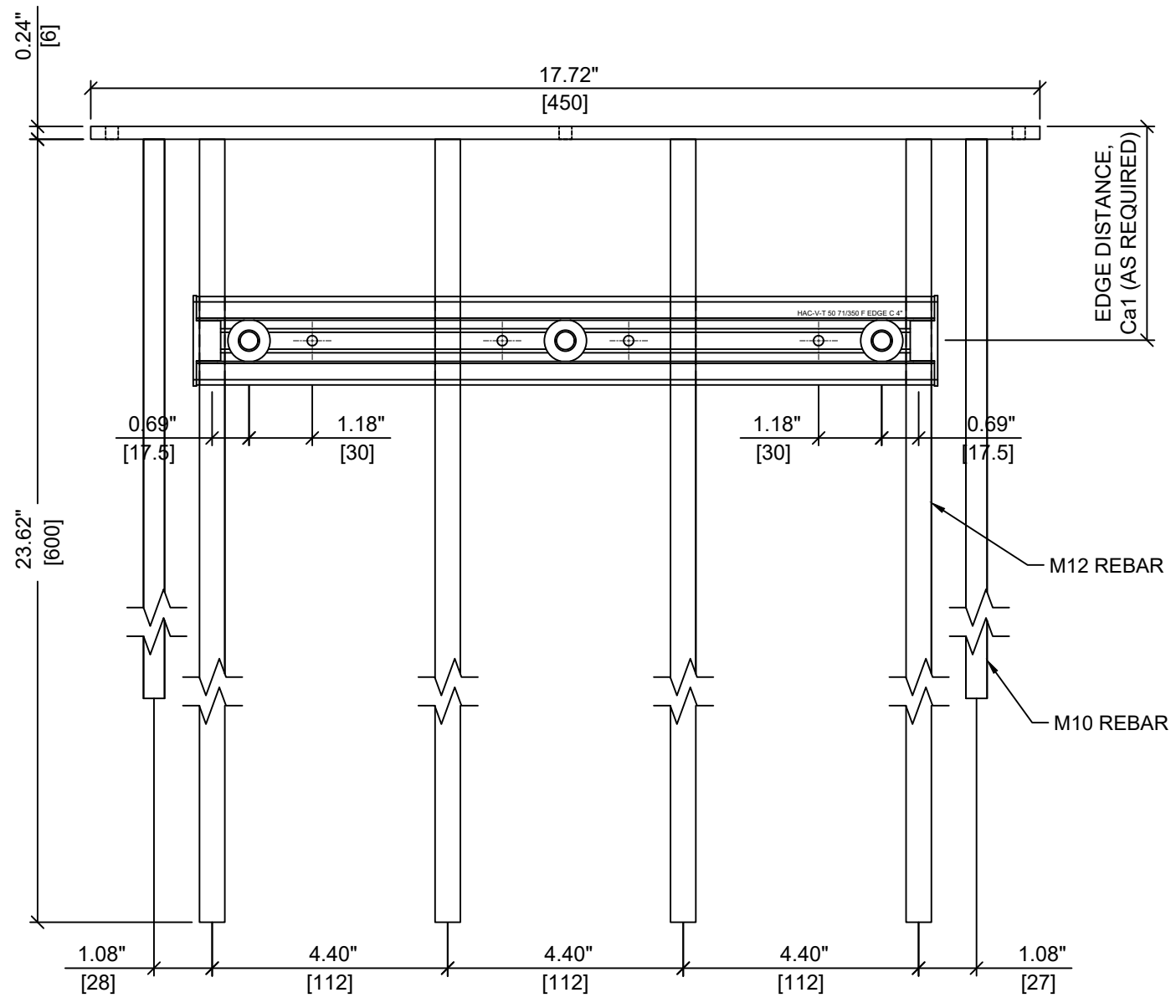
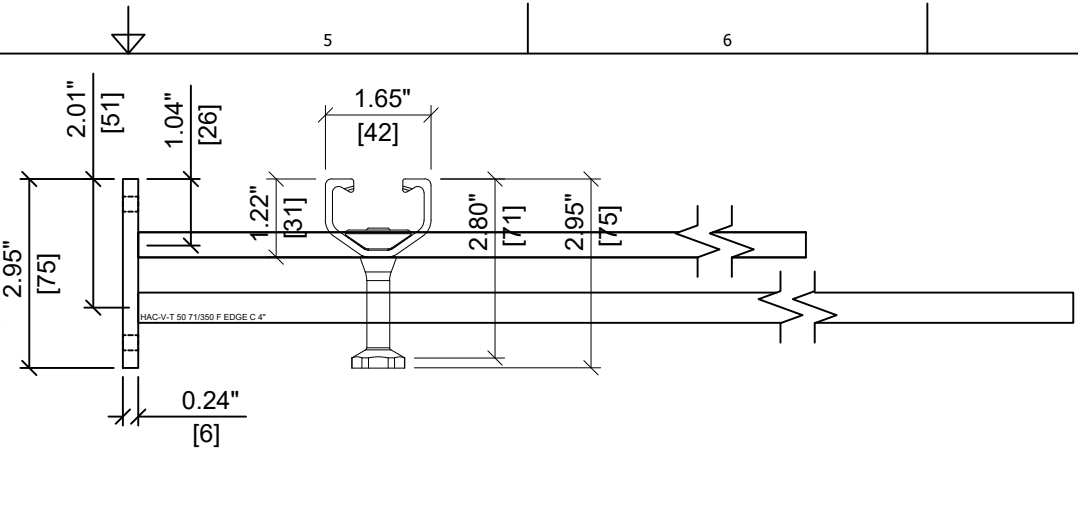
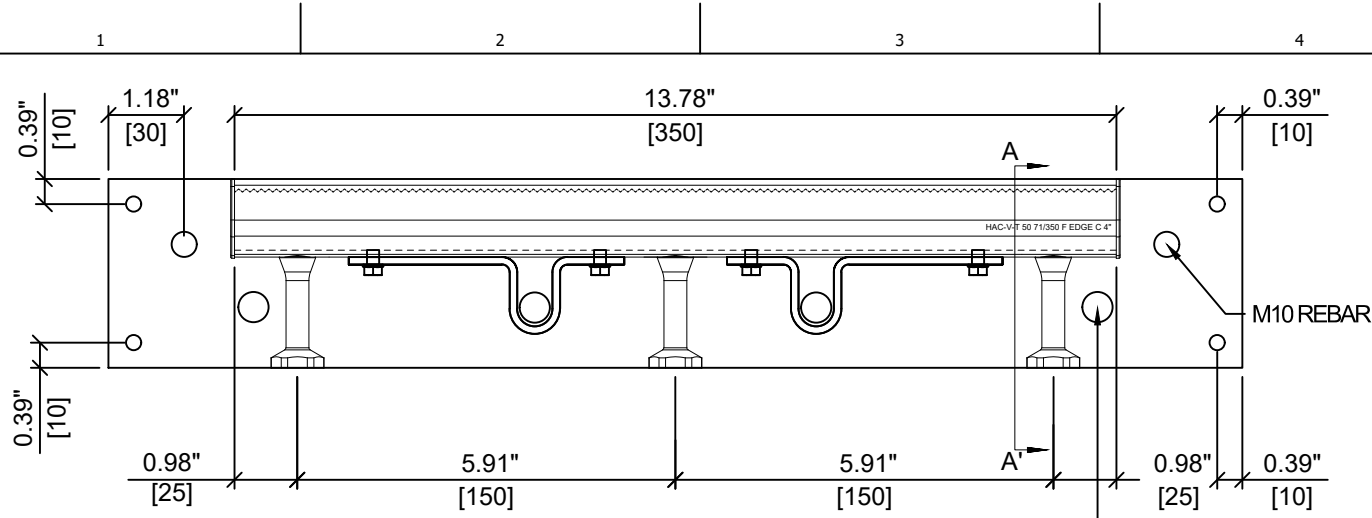
SECTION A-A'




PLAN VIEW

ITEM NUMBER: 2366662	CHANNEL LIP: SERRATED
ITEM DESCRIPTION: HAC-V-T 50 71/300 F EDGE C 4"	

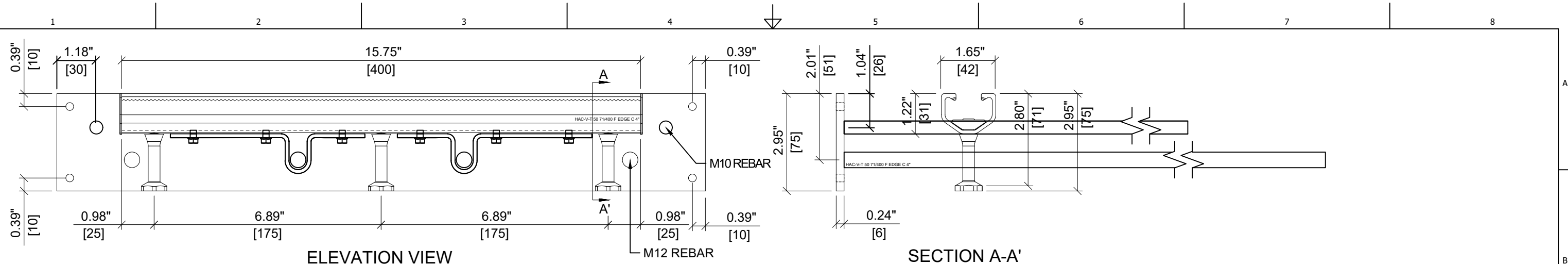




HILTI

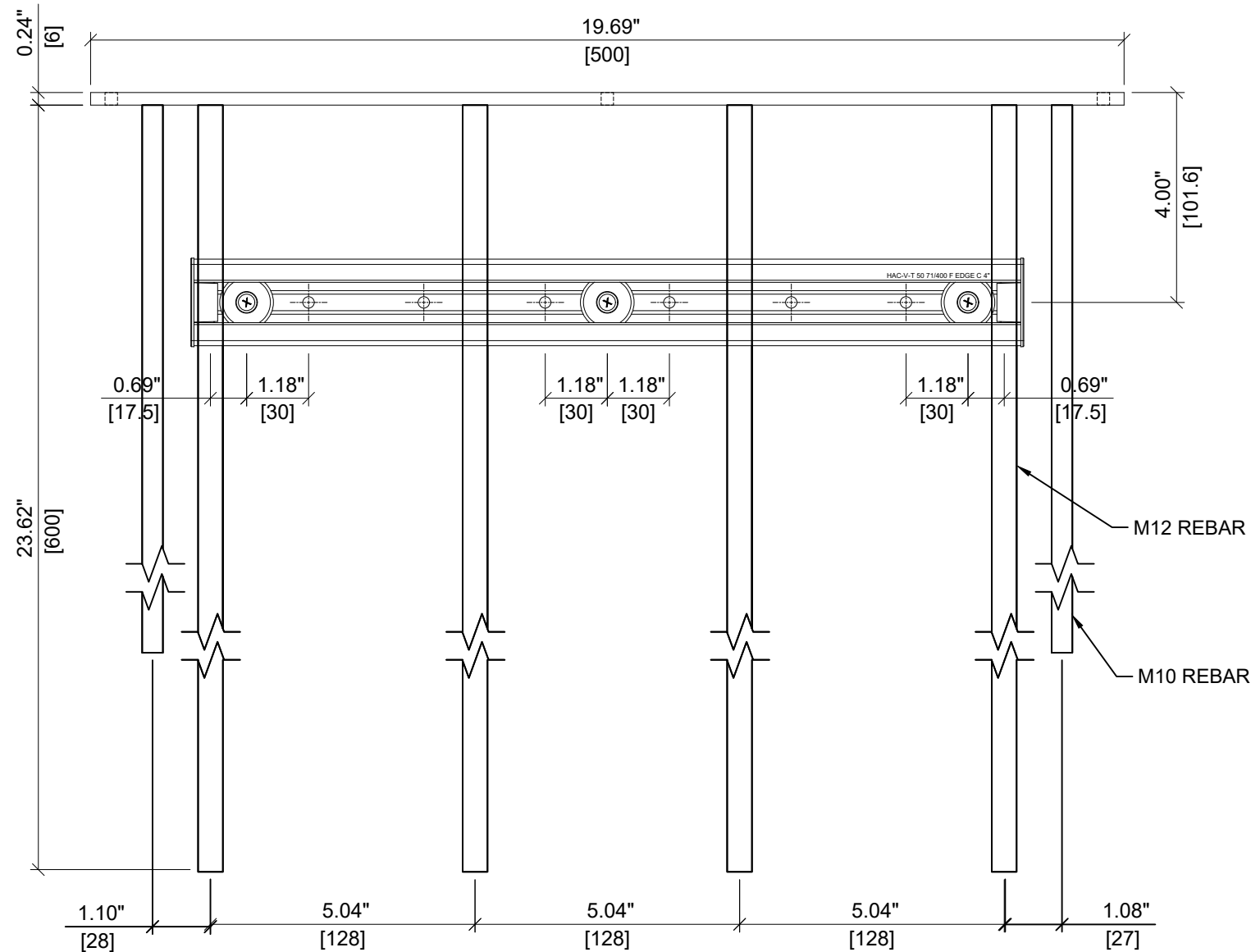
ITEM NUMBER: TBD	CHANNEL LIP: SERRATED 
ITEM DESCRIPTION: HAC-V-T 50 71/350 F EDGE C 4"	





ELEVATION VIEW

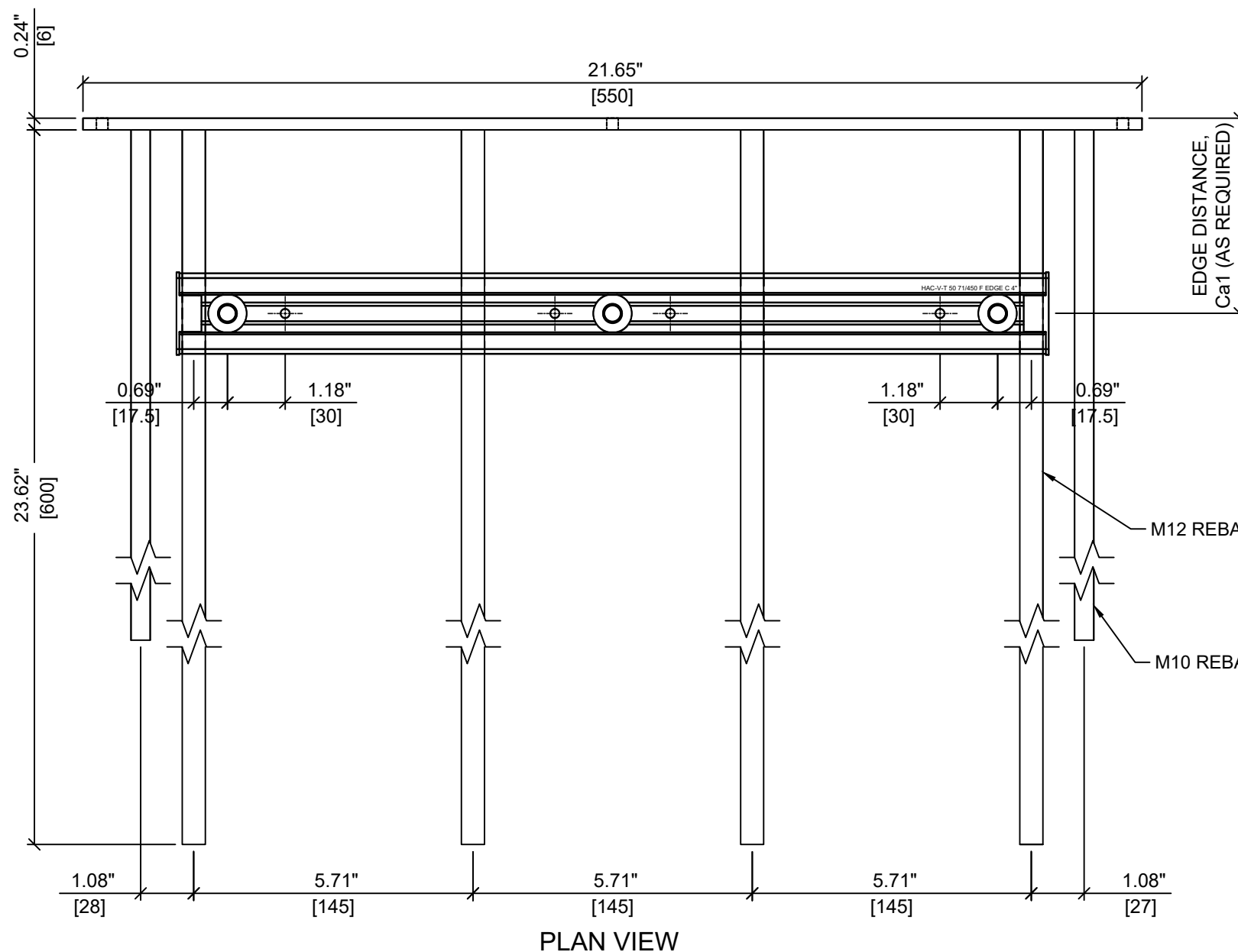
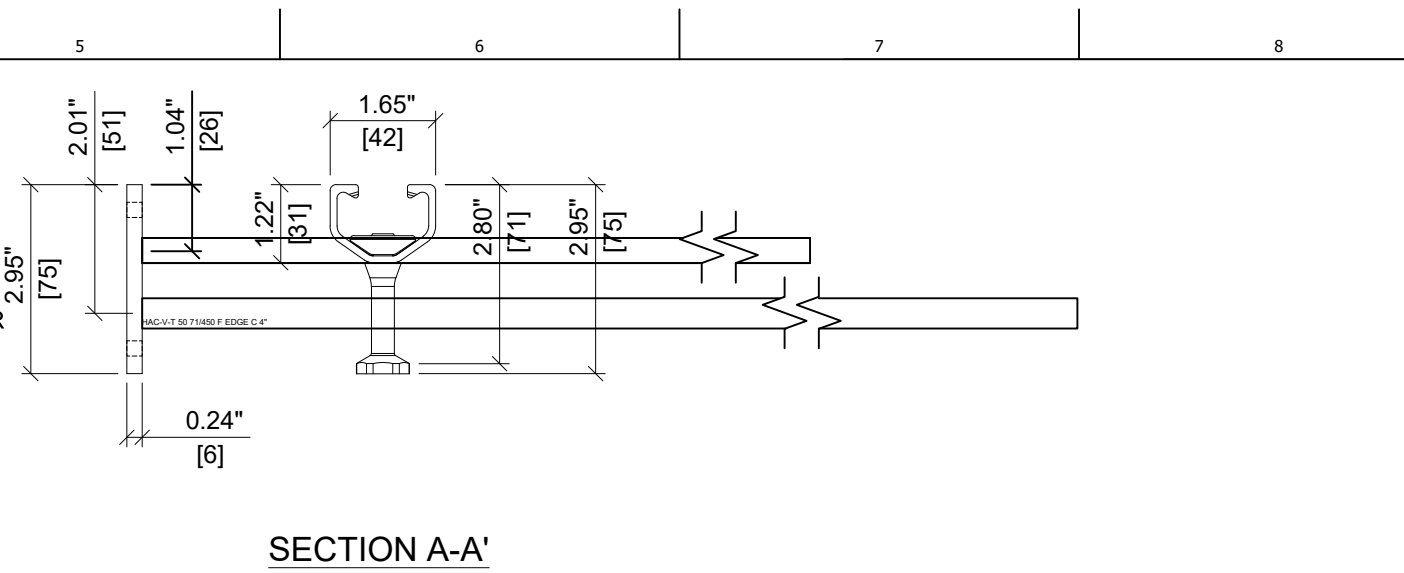
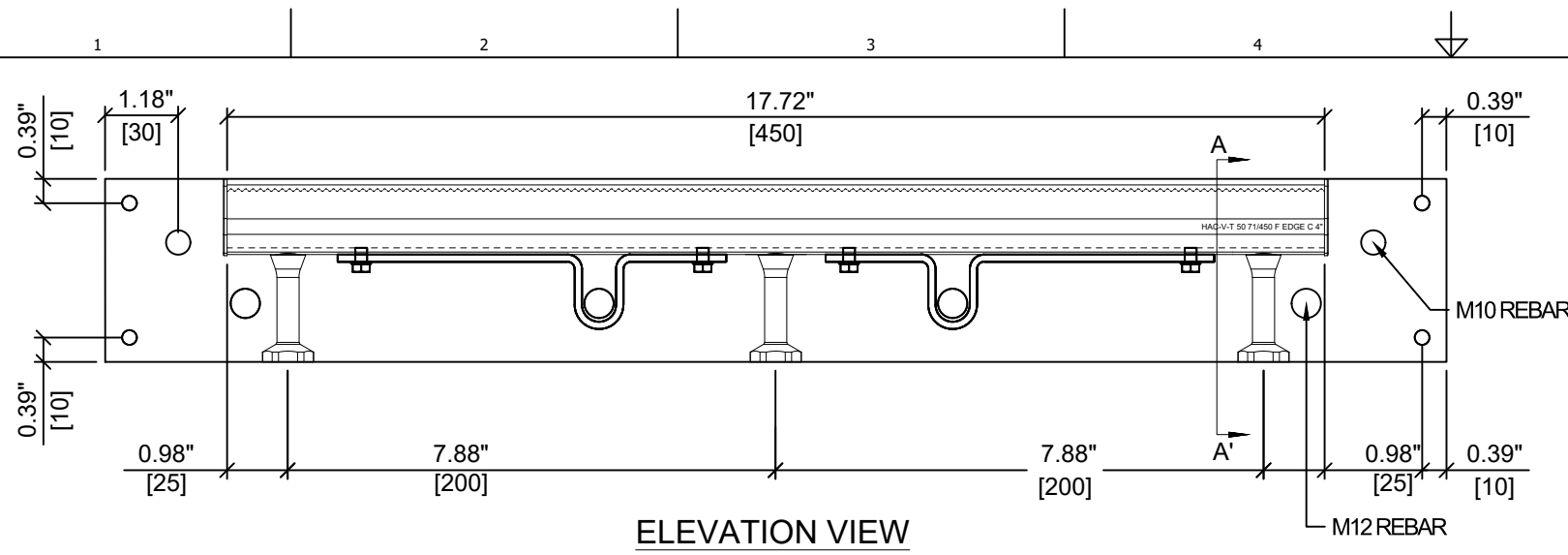
SECTION A-A'

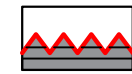


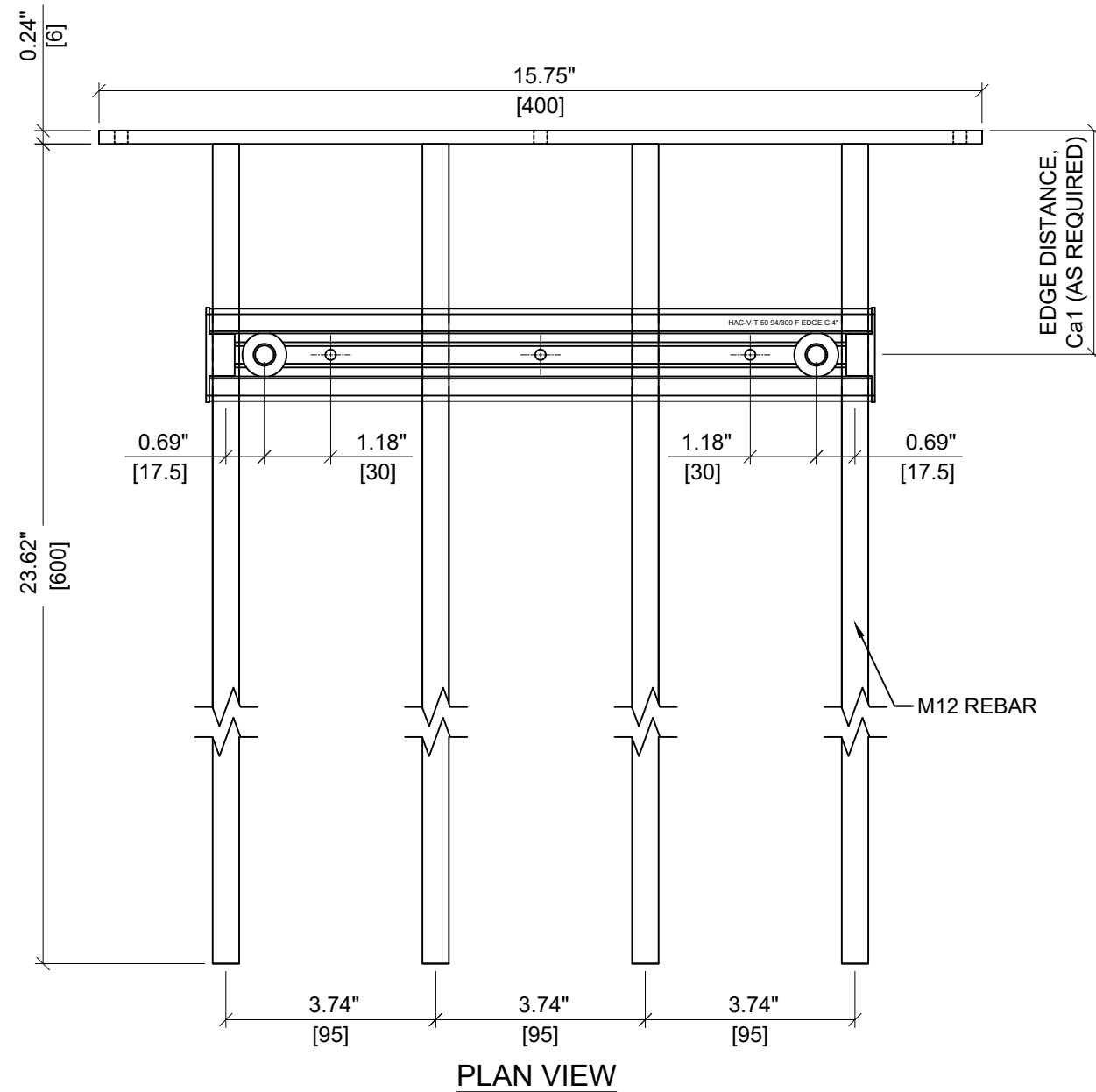
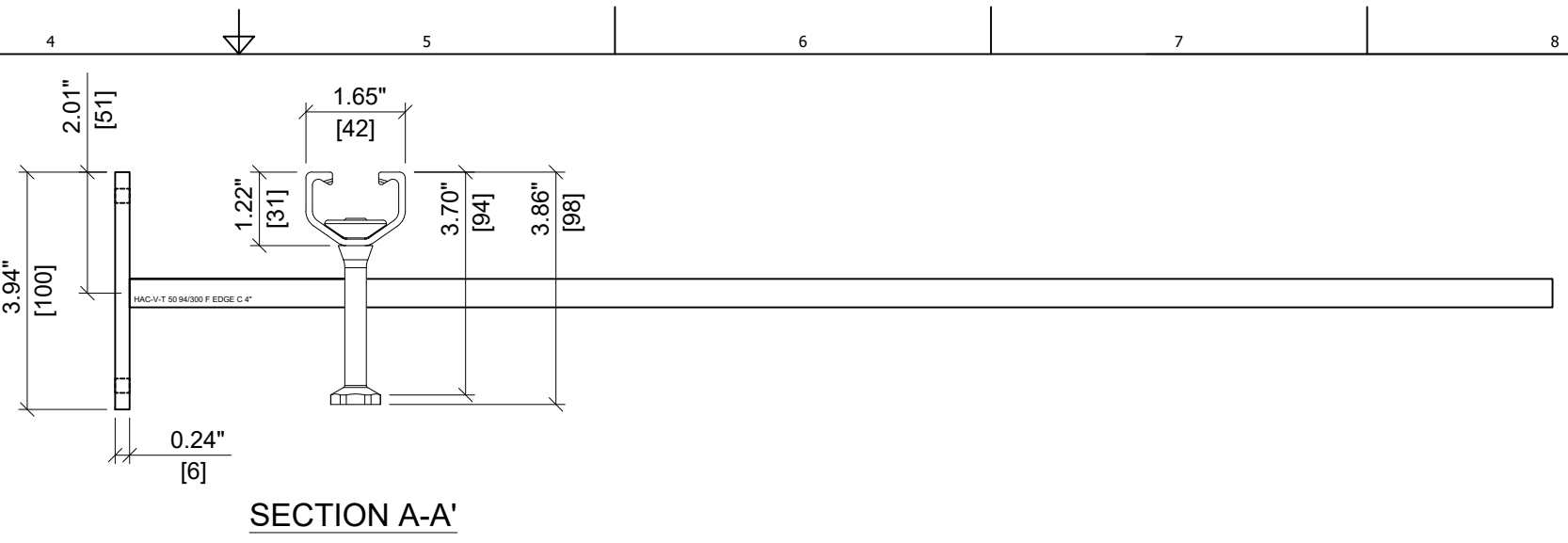
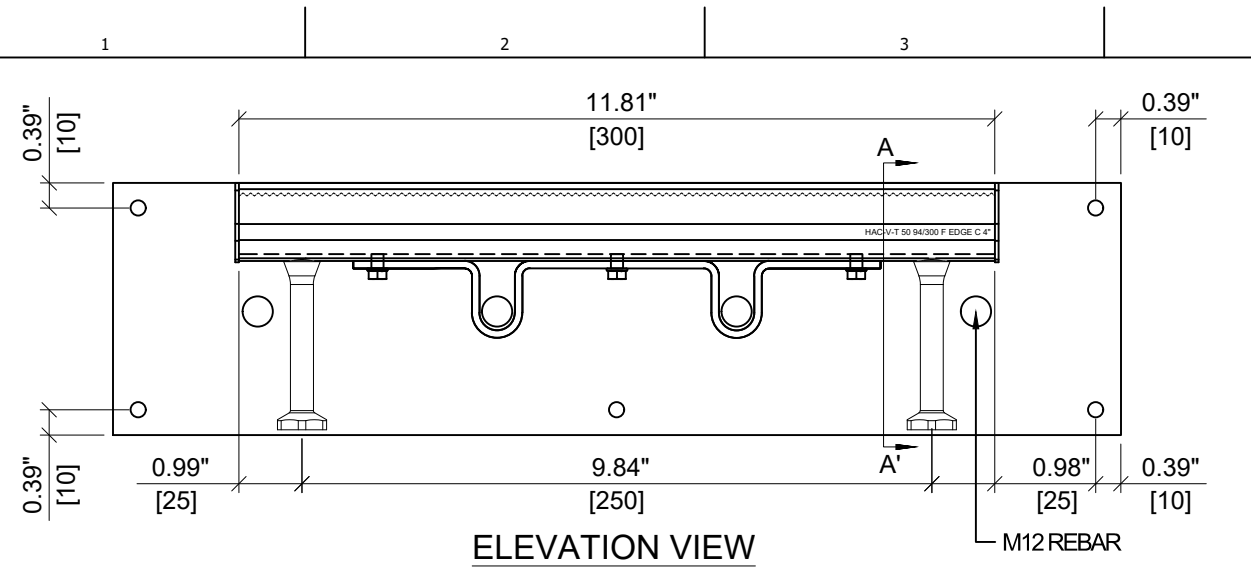
PLAN VIEW


ITEM NUMBER: 2366663	CHANNEL LIP: SERRATED
ITEM DESCRIPTION: HAC-V-T 50 71/400 F EDGE C 4"	

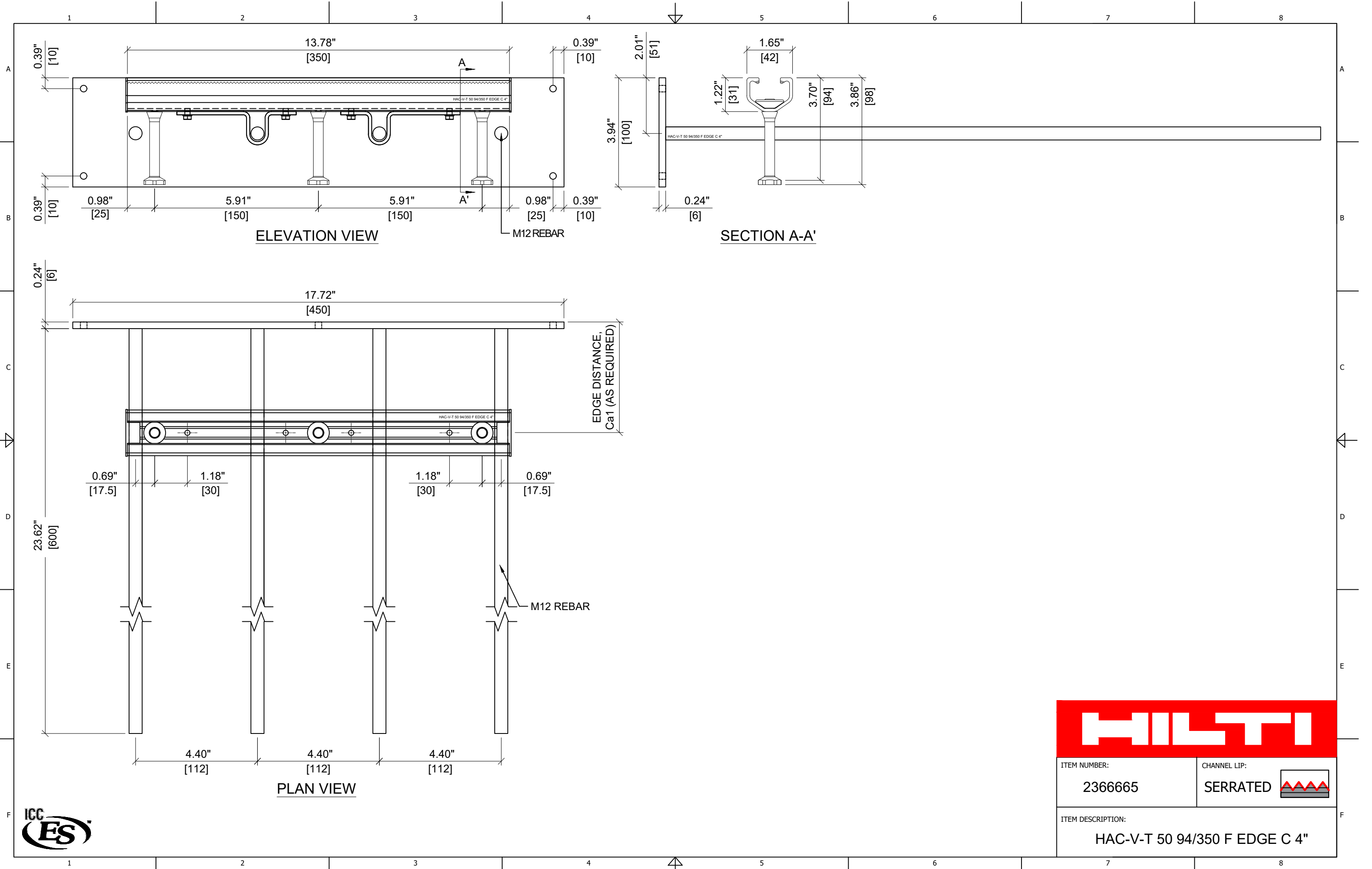


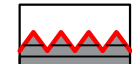


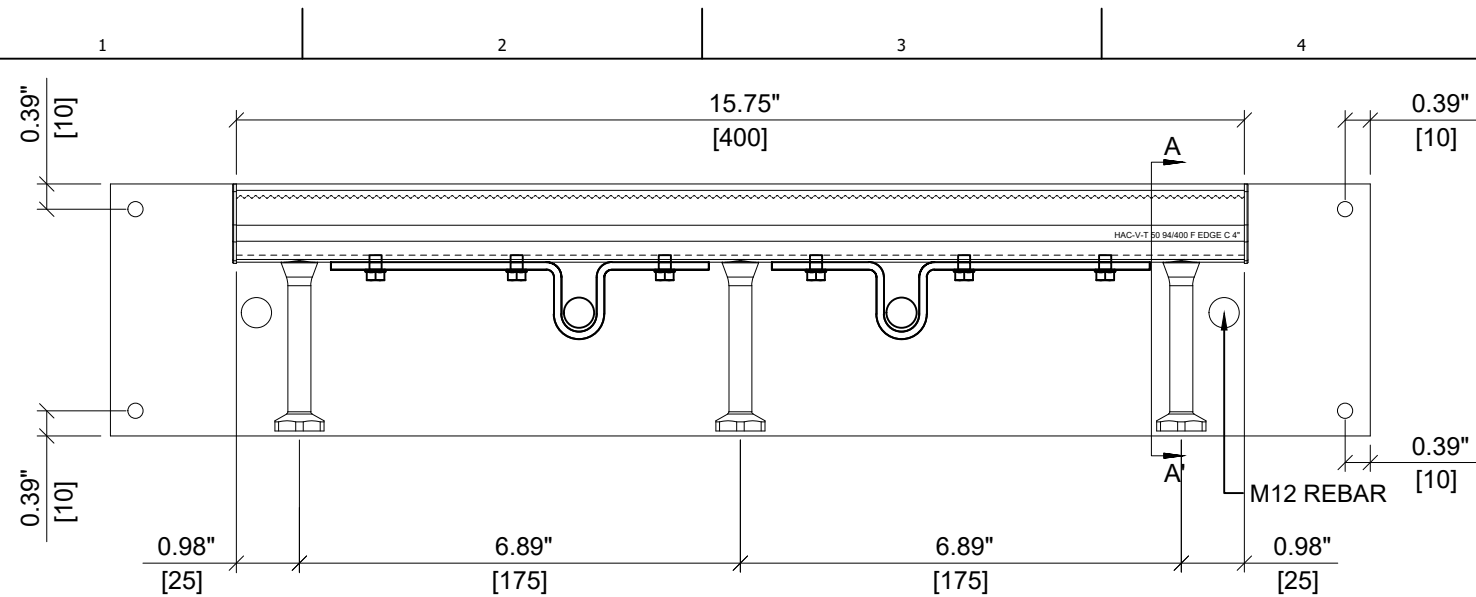
HILTI	
ITEM NUMBER: TBD	CHANNEL LIP: SERRATED 
ITEM DESCRIPTION: HAC-V-T 50 71/450 F EDGE C 4"	



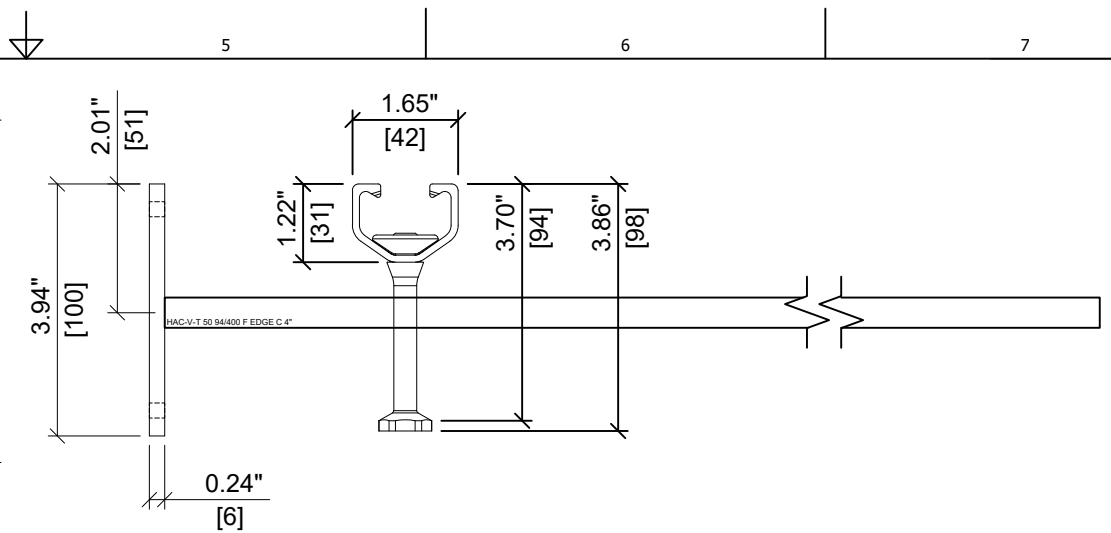
HILTI	
ITEM NUMBER: 2366664	CHANNEL LIP: SERRATED 
ITEM DESCRIPTION: HAC-V-T 50 94/300 F EDGE C 4"	



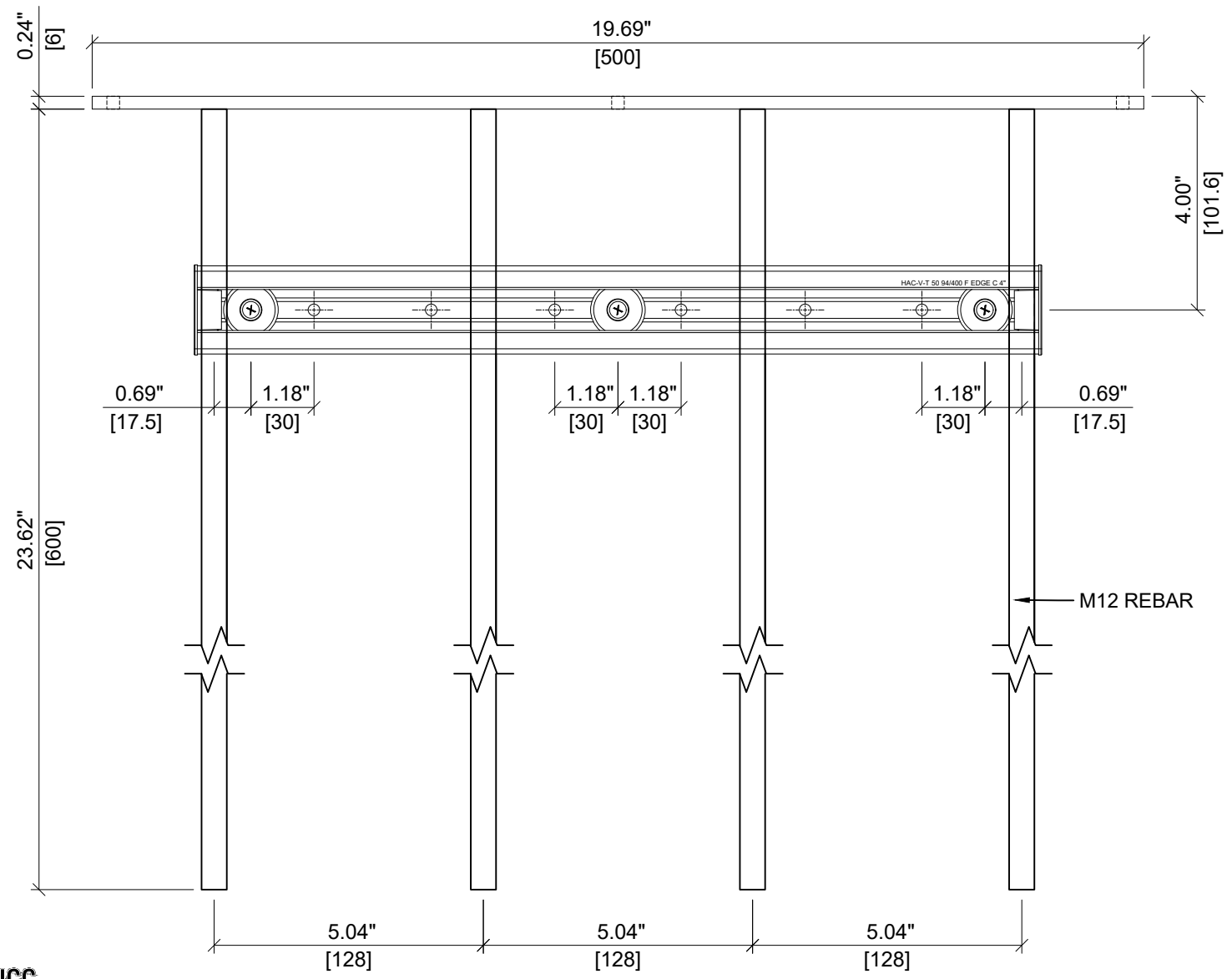
HILTI	
ITEM NUMBER: 2366665	CHANNEL LIP: SERRATED 
ITEM DESCRIPTION: HAC-V-T 50 94/350 F EDGE C 4"	



ELEVATION VIEW

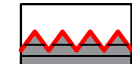


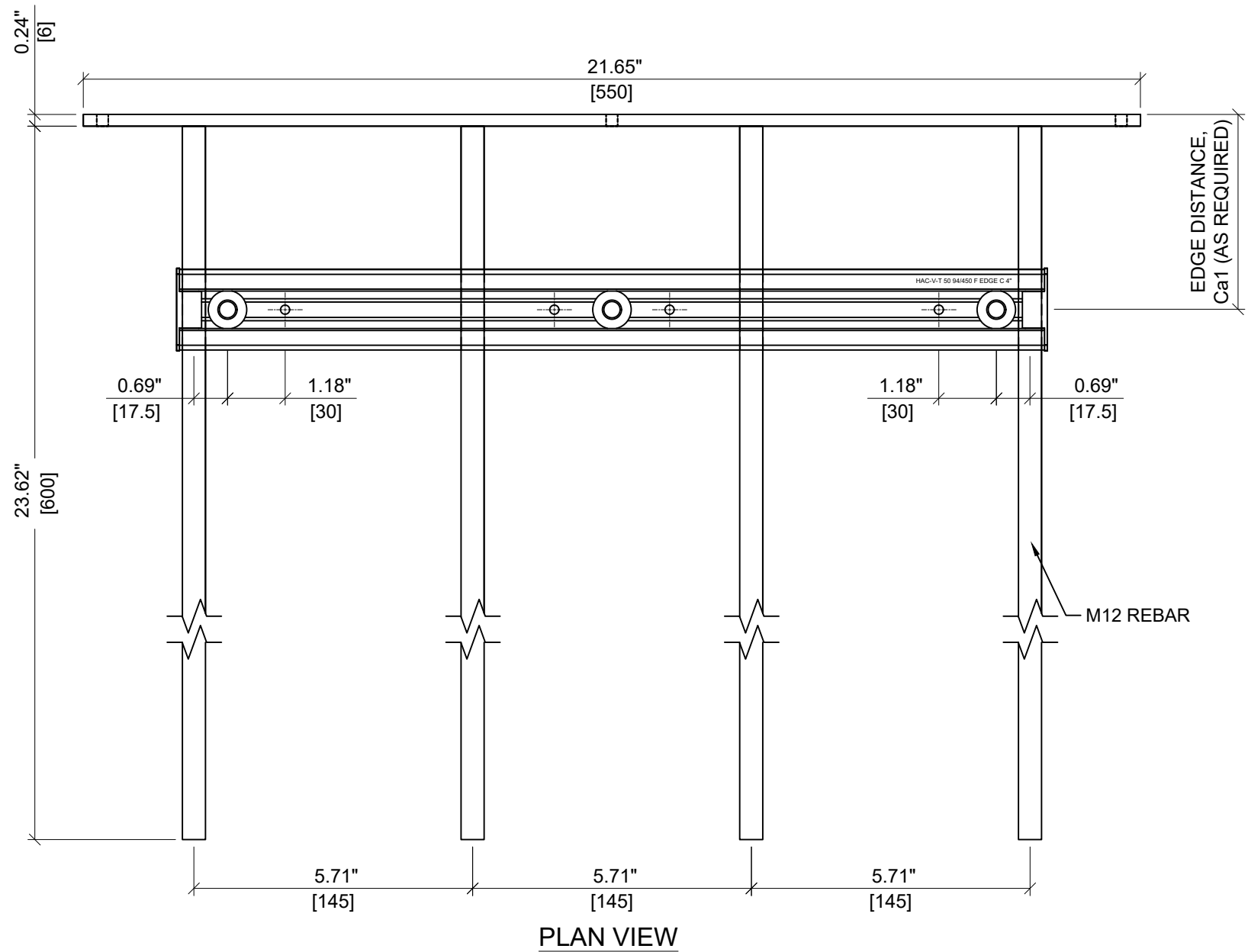
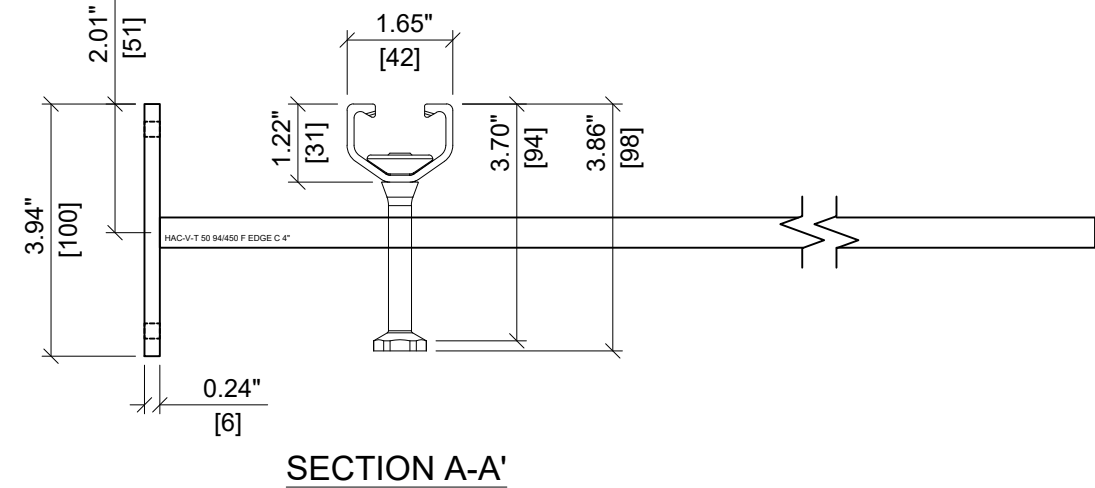
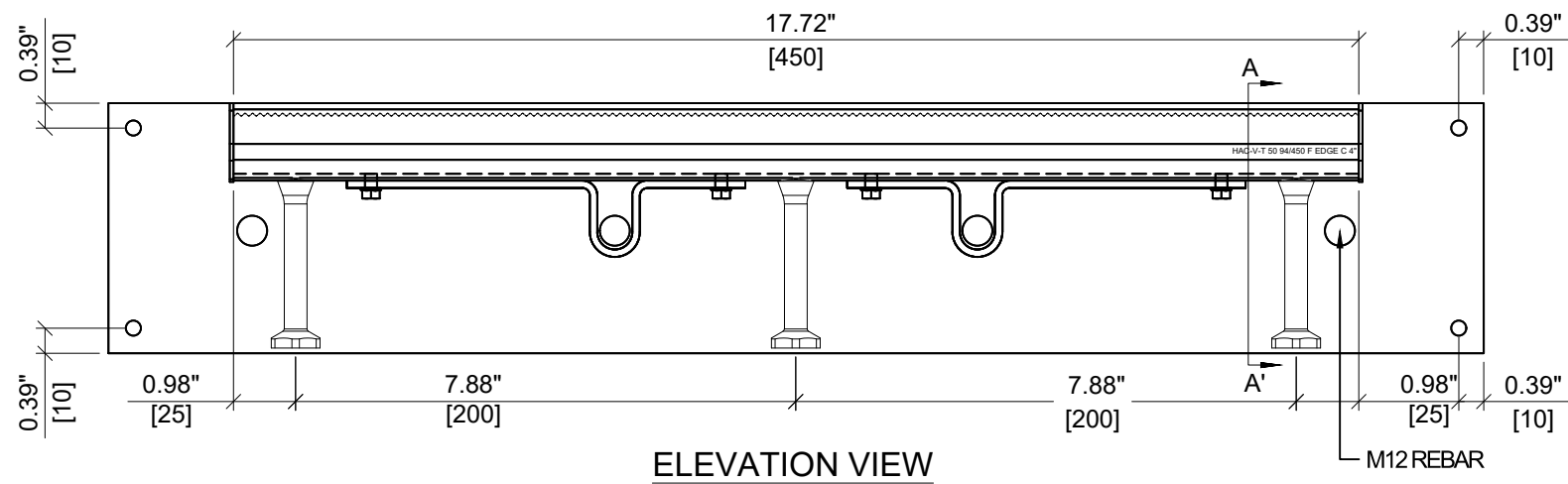
SECTION A-A'



PLAN VIEW

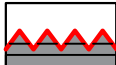


HILTI	
ITEM NUMBER: 2366666	CHANNEL LIP: SERRATED 
ITEM DESCRIPTION: HAC-V-T 50 94/400 F EDGE C 4"	



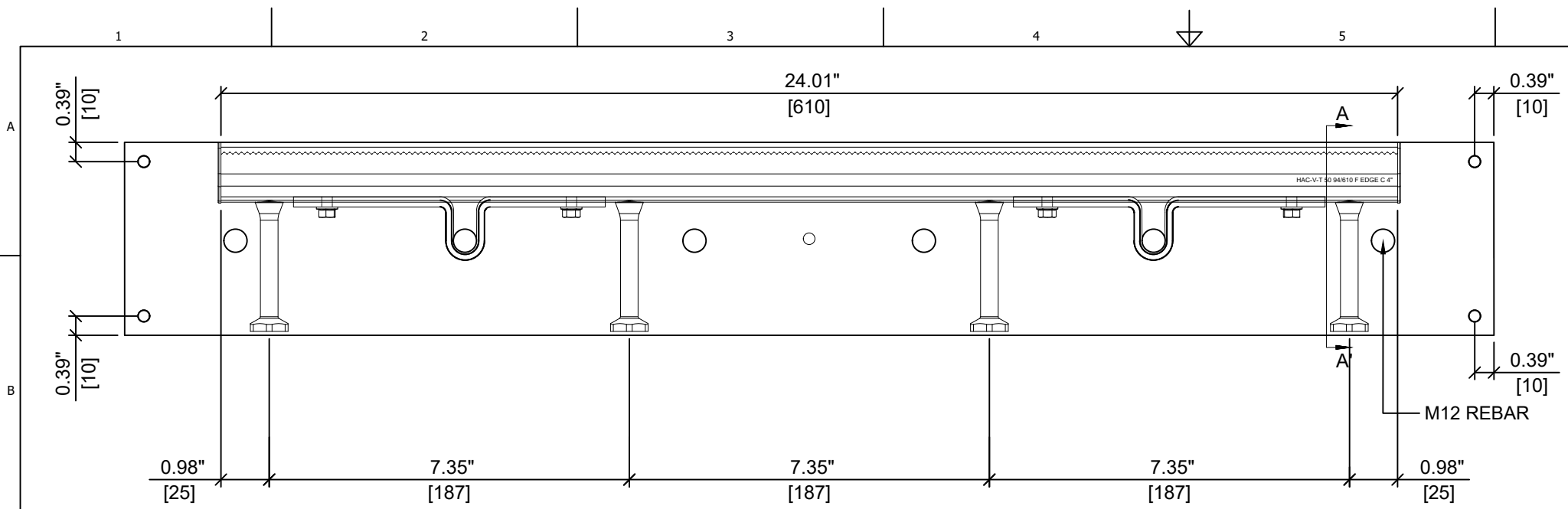
HILTI

ITEM NUMBER: 2366667

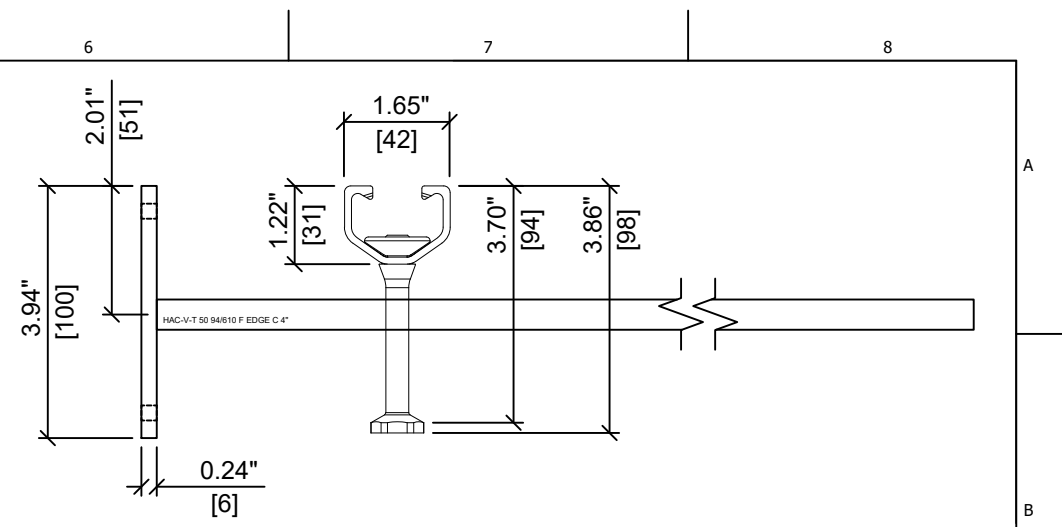
CHANNEL LIP: SERRATED 

ITEM DESCRIPTION: HAC-V-T 50 94/450 F EDGE C 4"

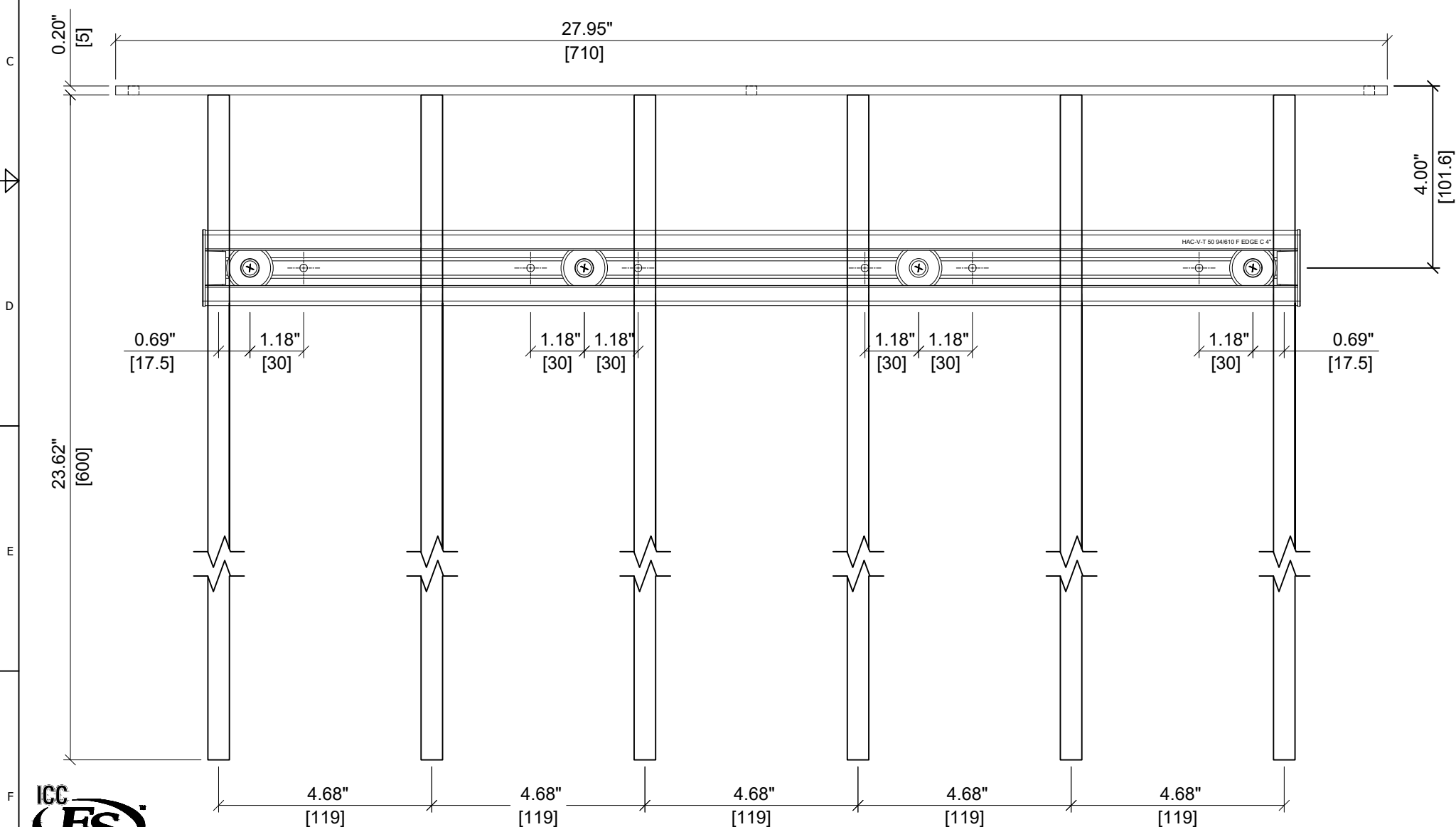




ELEVATION VIEW

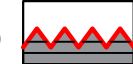


SECTION A-A'



PLAN VIEW



HILTI	
ITEM NUMBER: 2366668	CHANNEL LIP: SERRATED 
ITEM DESCRIPTION: HAC-V-T 50 94/610 F EDGE C 4"	