

UL SYSTEM NO. F-A-2322

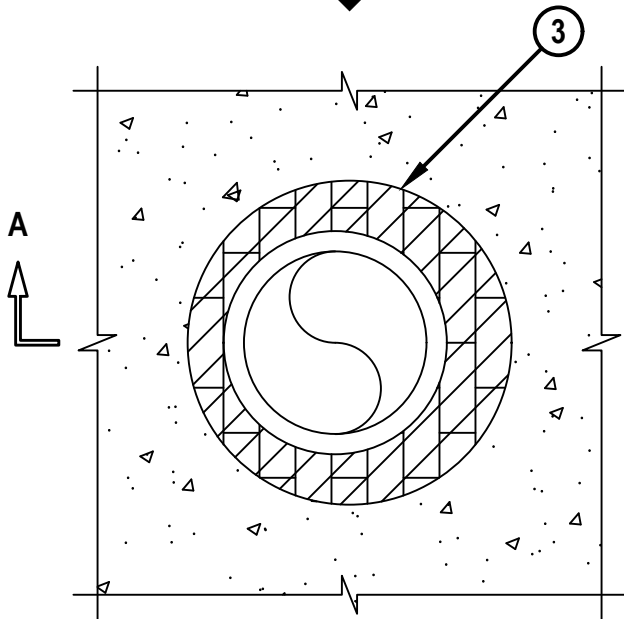
NONMETALLIC PIPE THROUGH CONCRETE FLOOR ASSEMBLY

F-RATING = 2-HR.

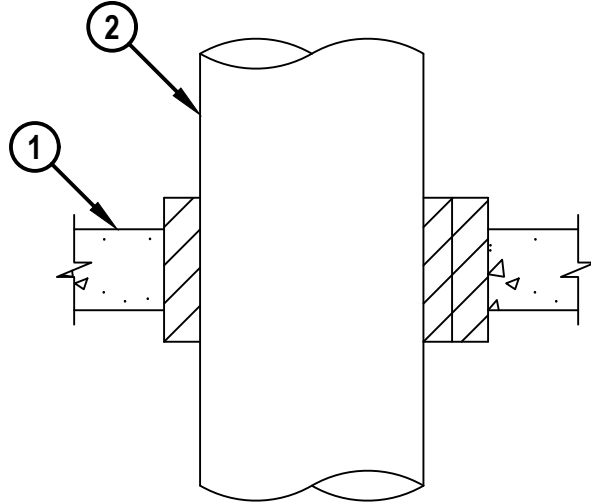
T-RATING = 1-3/4-HR. OR 2-HR. (SEE NOTE NO. 4 BELOW)

FA2322b.091322

TOP VIEW



SECTION A-A



1. LIGHTWEIGHT OR NORMAL WEIGHT CONCRETE FLOOR ASSEMBLY (MINIMUM 4-1/2" THICK) (2-HR. FIRE-RATING).
2. PENETRATING ITEM TO BE ONE OF THE FOLLOWING :
 - A. NOMINAL 12" DIAMETER AQUATHERM BLUEPIPE POLYPROPYLENE (PP-R) (SDR 11) (CLOSED PIPING SYSTEM).
 - B. NOMINAL 12" DIAMETER MULTI CLIMA POLYPROPYLENE (PP-RCT) (SDR 7.3) MANUFACTURED BY NIRON (CLOSED PIPING SYSTEM).
3. HILTI CFS-BL FIRESTOP BLOCK (2" THICK x 5" WIDE x 8" DEEP, REFERENCE : TOP VIEW) FIRMLY PACKED AND CENTERED WITHIN OPENING.

NOTES : 1. MAXIMUM DIAMETER OF OPENING = 18".
2. ANNULAR SPACE = MINIMUM 1/2", MAXIMUM 5".
3. APPLY HILTI FS-ONE MAX INTUMESCENT FIRESTOP SEALANT IN ANY VOID THAT MAY EXIST AROUND PENETRANT OR FIRESTOP BLOCKS ON TOP SIDE OF FLOOR.
4. WHEN PENETRANT TYPE 2A IS USED, T-RATING IS 1-3/4-HR.
WHEN PENETRANT TYPE 2B IS USED, T-RATING IS 2-HR.

HILTI
Hilti Firestop Systems

HILTI, Inc.
Plano, Texas USA (800) 879-8000

Sheet 1 of 1
Scale 3/32" = 1"
Date Sep. 13, 2022

Drawing No.
FA
2322b

Saving Lives through Innovation and Education