

ALUMINUM TUBING THROUGH CONCRETE FLOOR/WALL OR BLOCK WALL ASSEMBLY

F-RATING = 1-HR.

T-RATING = 1/4-HR.

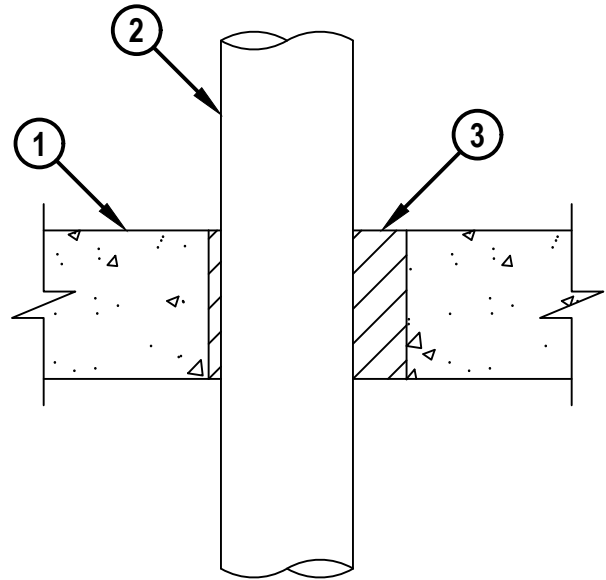
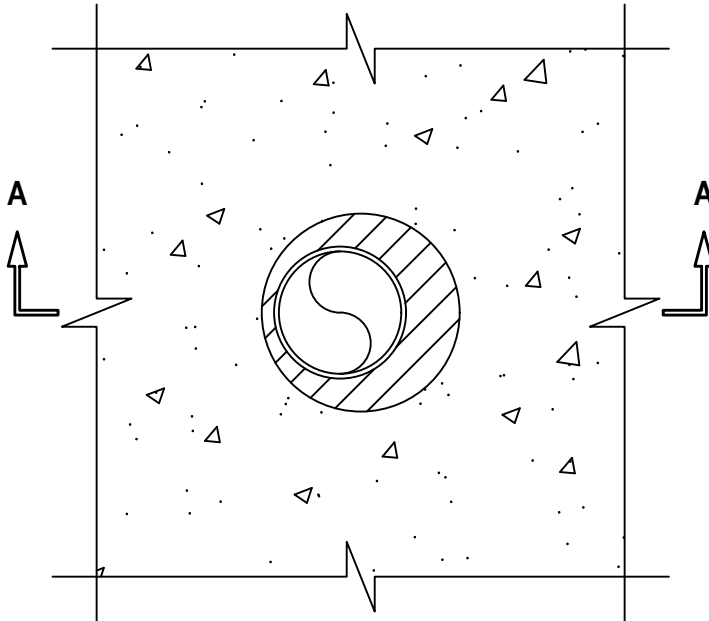
L-RATING AT AMBIENT = LESS THAN 1 CFM / SQ FT

L-RATING AT 400°F = 4 CFM / SQ FT

C-AJ-1173a.061623

FRONT VIEW

SECTION A-A



1. CONCRETE FLOOR OR WALL ASSEMBLY (1-HR. FIRE-RATING) :
 - A. LIGHTWEIGHT OR NORMAL WEIGHT CONCRETE FLOOR OR WALL (MINIMUM 4-1/2" THICK).
 - B. ANY UL/cUL CLASSIFIED CONCRETE BLOCK WALL.
2. MAXIMUM 4" NOMINAL DIAMETER ALUMINUM TUBING (WALL THICKNESS OF 0.145" OR HEAVIER) (CLOSED OR VENTED PIPING SYSTEM).
3. MINIMUM 4-1/2" DEPTH HILTI FS-ONE MAX INTUMESCENT FIRESTOP SEALANT.

NOTES : 1. MAXIMUM DIAMETER OF OPENING = 6".
 2. ANNULAR SPACE = MINIMUM 3/8", MAXIMUM 1-5/8".



HILTI, Inc.
 Plano, Texas USA (800) 879-8000

Sheet	1 of 1
Scale	11/64" = 1"
Date	June 16, 2023

Drawing No.
CAJ
1173a