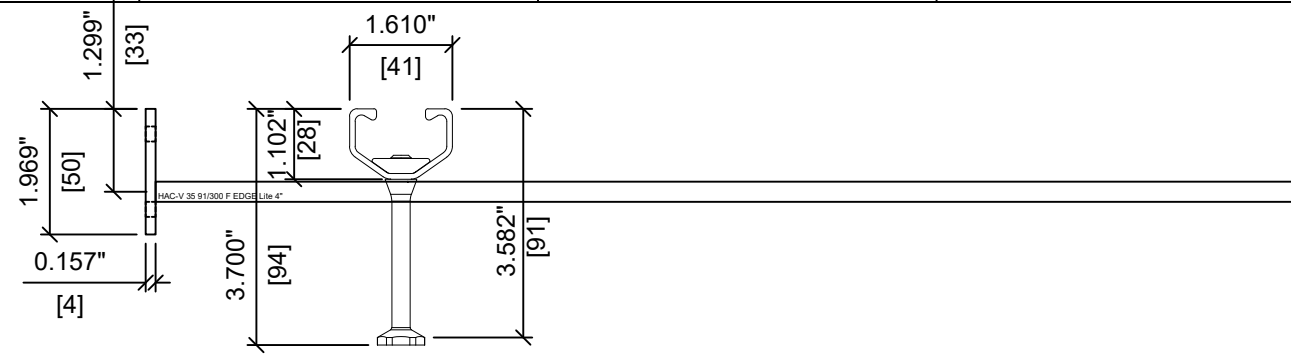
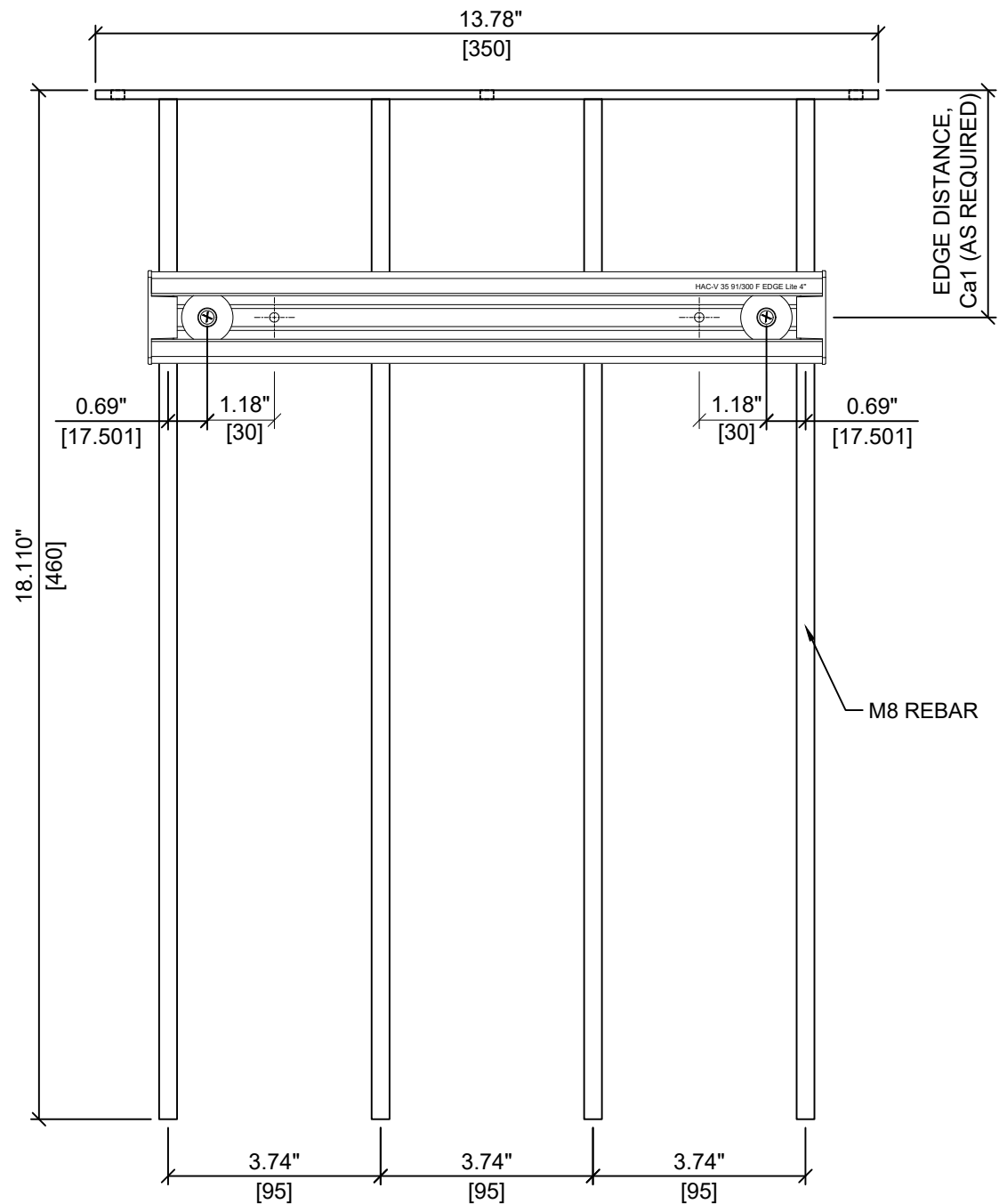


ELEVATION VIEW



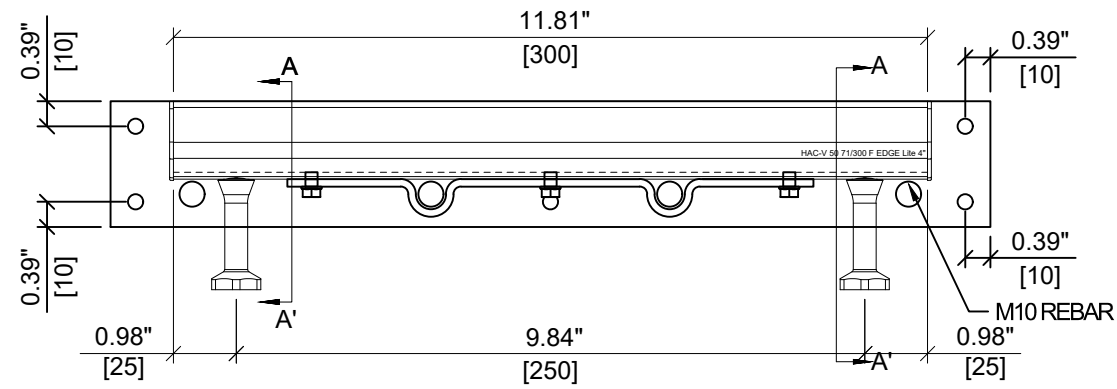
SECTION A-A'



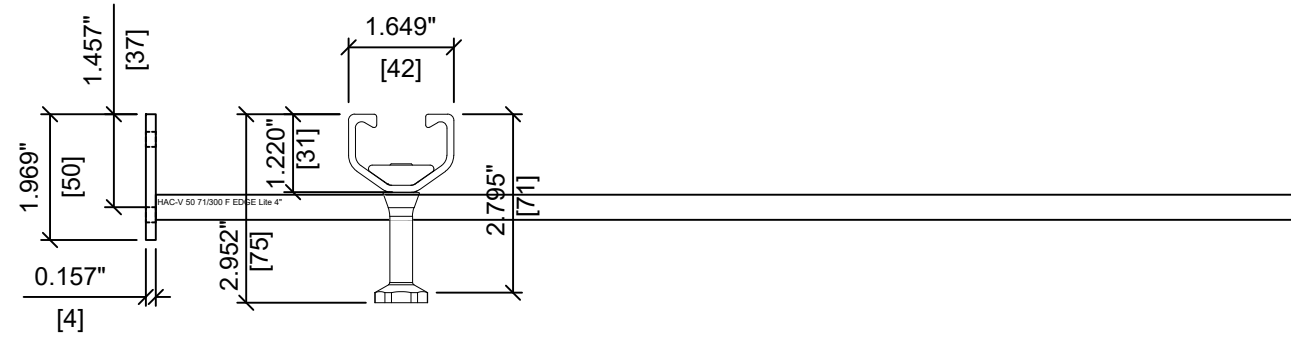
PLAN VIEW

HILTI

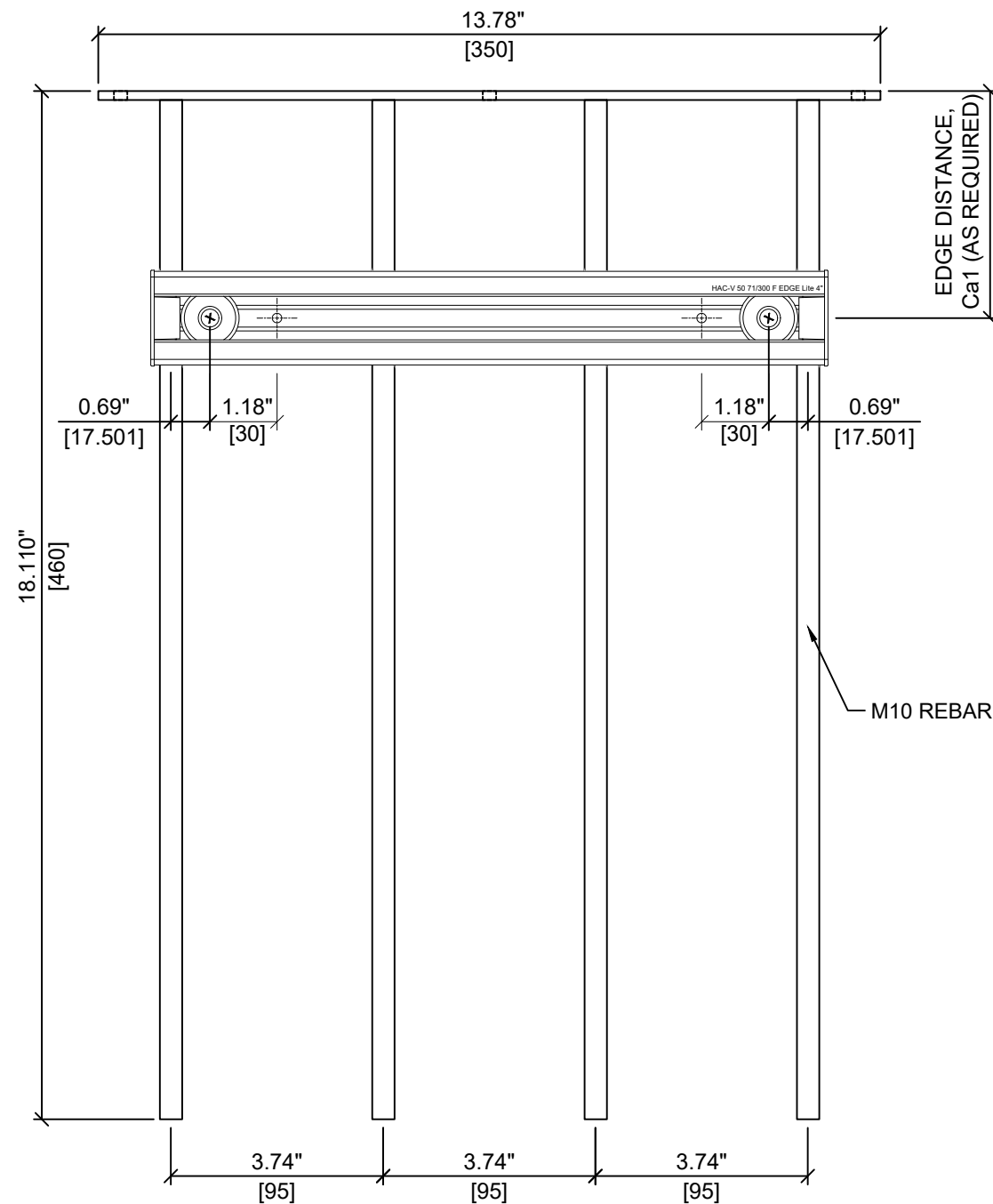
ITEM NUMBER: 2366669	CHANNEL LIP: SMOOTH
ITEM DESCRIPTION: Rebar HAC-V 35 91/300 F EDGE Lite 4"	



ELEVATION VIEW



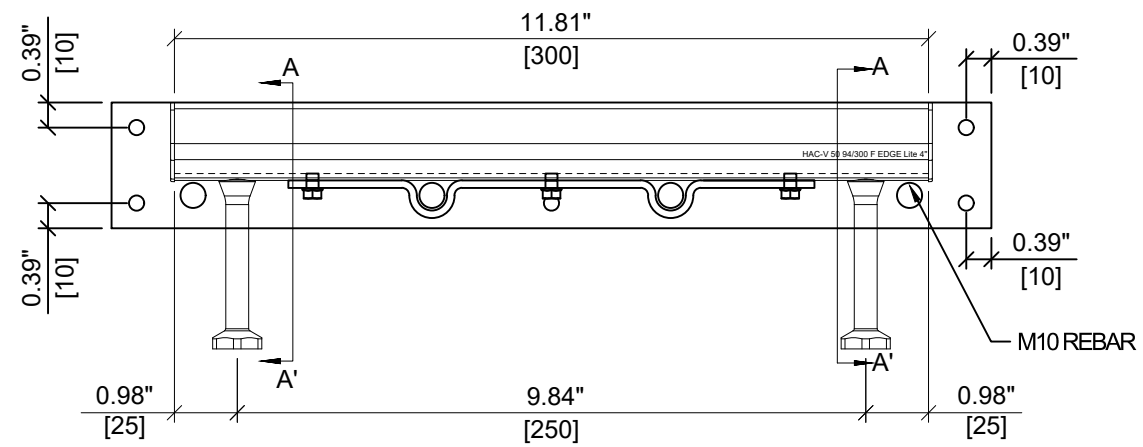
SECTION A-A'



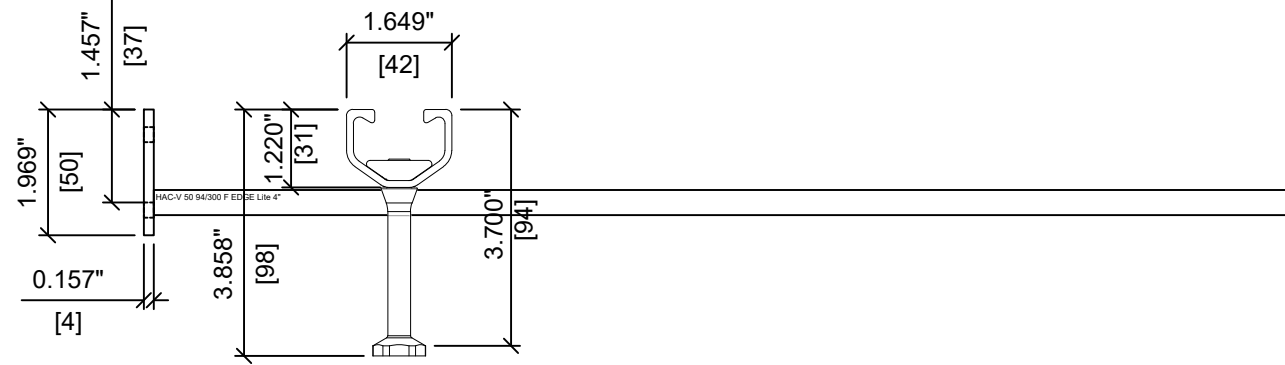
PLAN VIEW



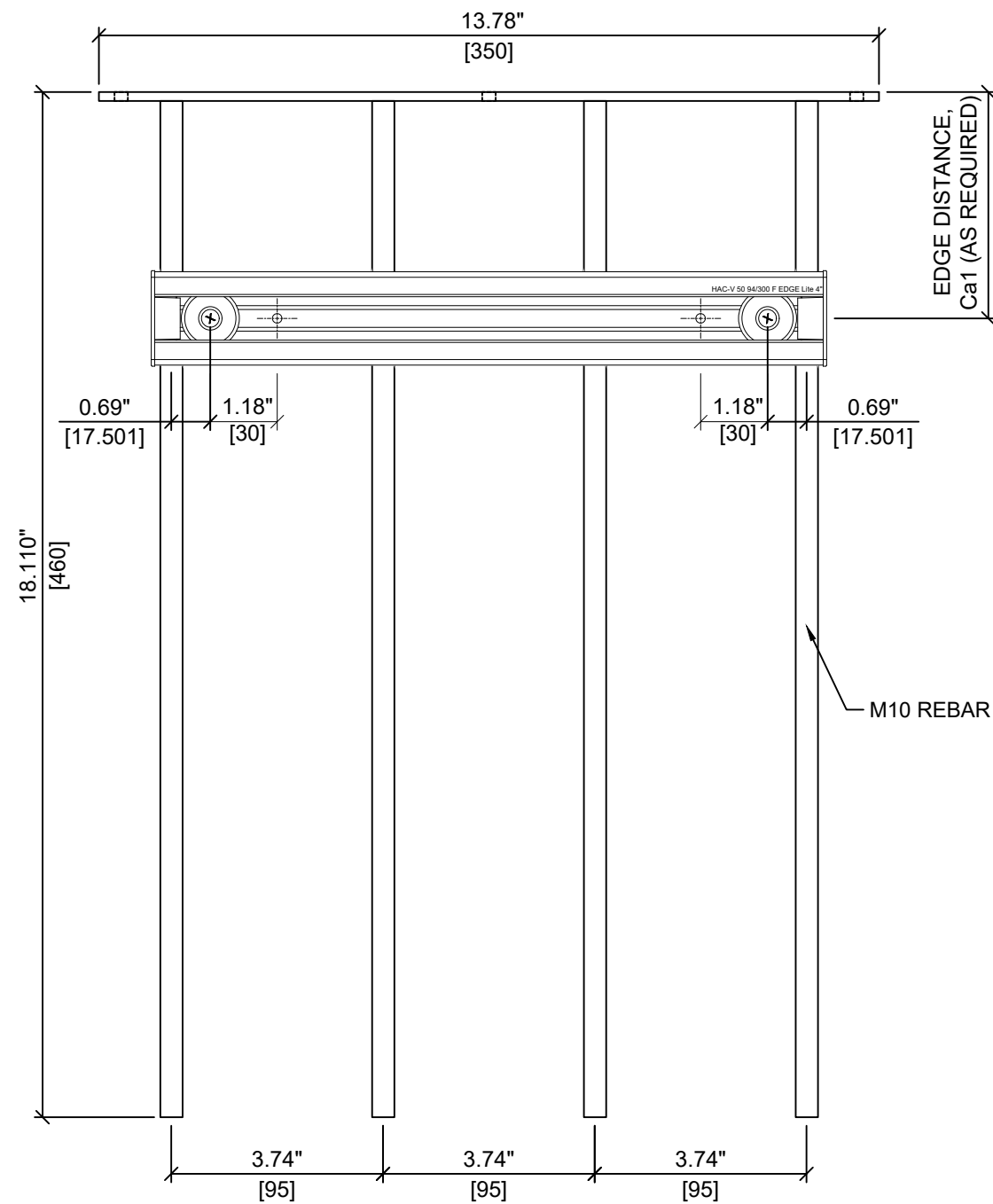
ITEM NUMBER: 2366672	CHANNEL LIP: SMOOTH
ITEM DESCRIPTION: Rebar HAC-V 50 71/300 F EDGE Lite 4"	



ELEVATION VIEW



SECTION A-A'

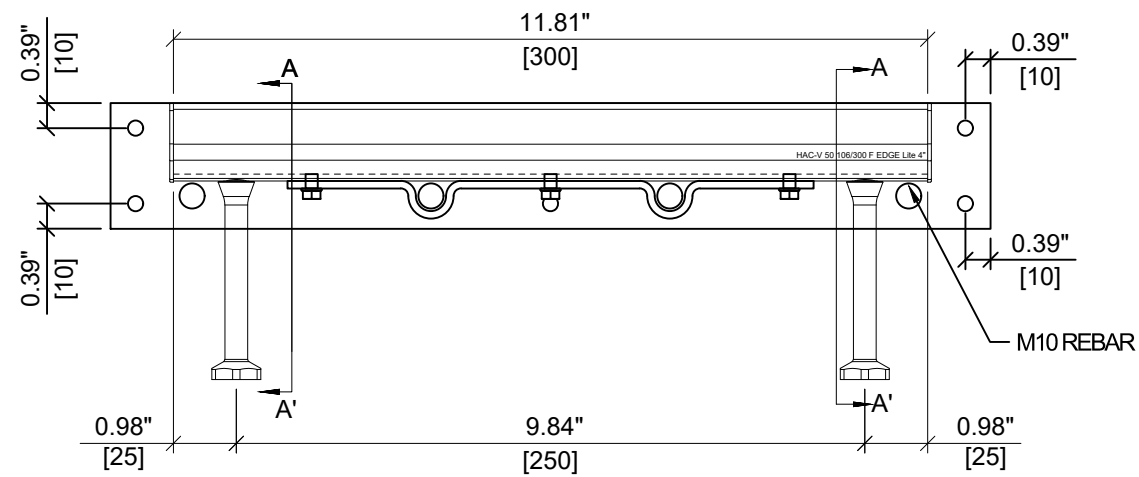


PLAN VIEW

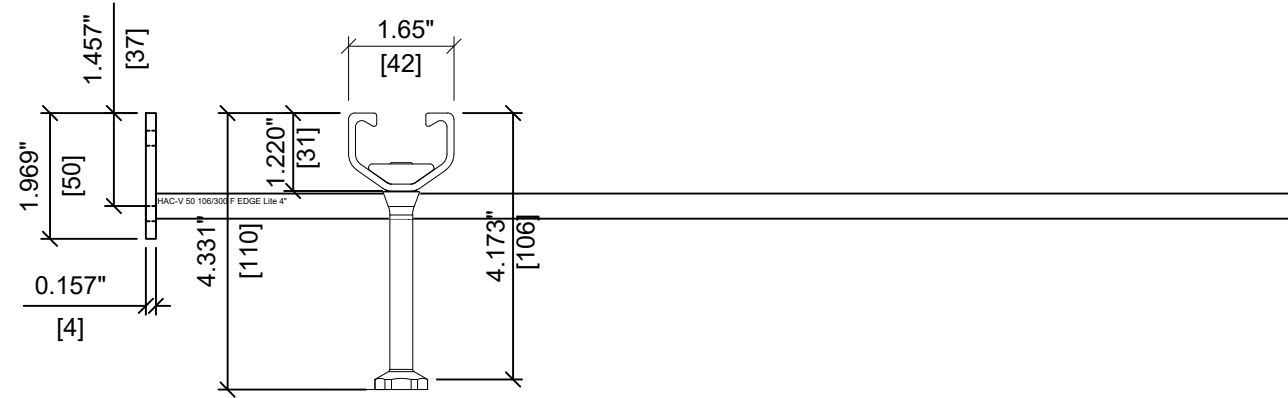


ITEM NUMBER: 2366673	CHANNEL LIP: SMOOTH
--------------------------------	-------------------------------

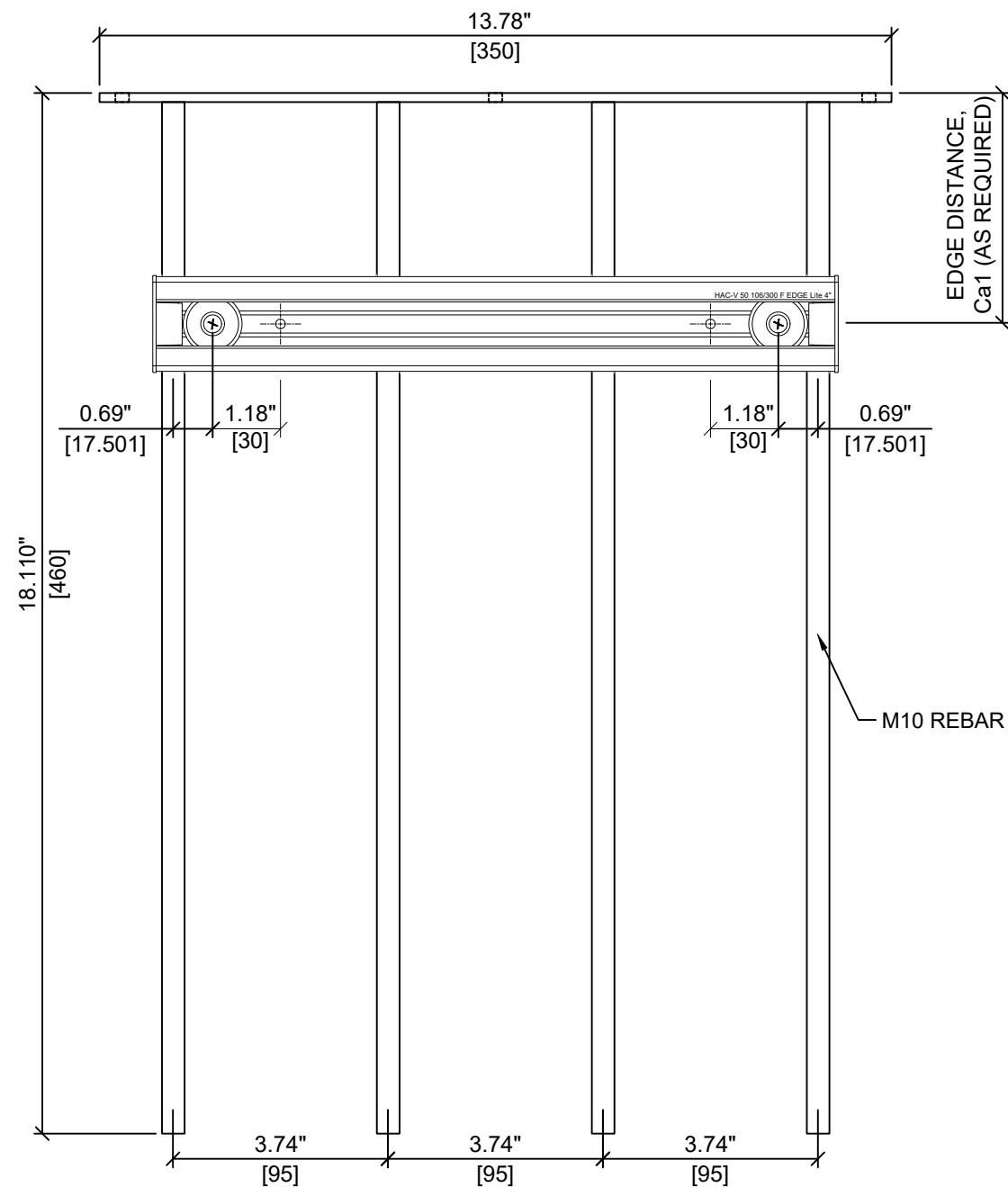
ITEM DESCRIPTION:
Rebar HAC-V 50 94/300 F EDGE Lite 4"



ELEVATION VIEW



SECTION A-A'

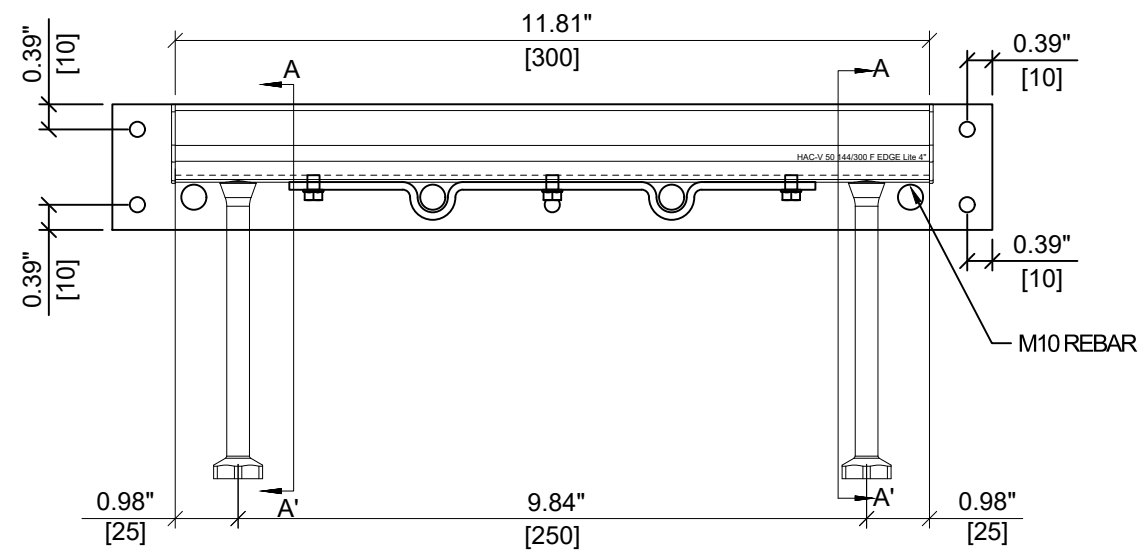


PLAN VIEW

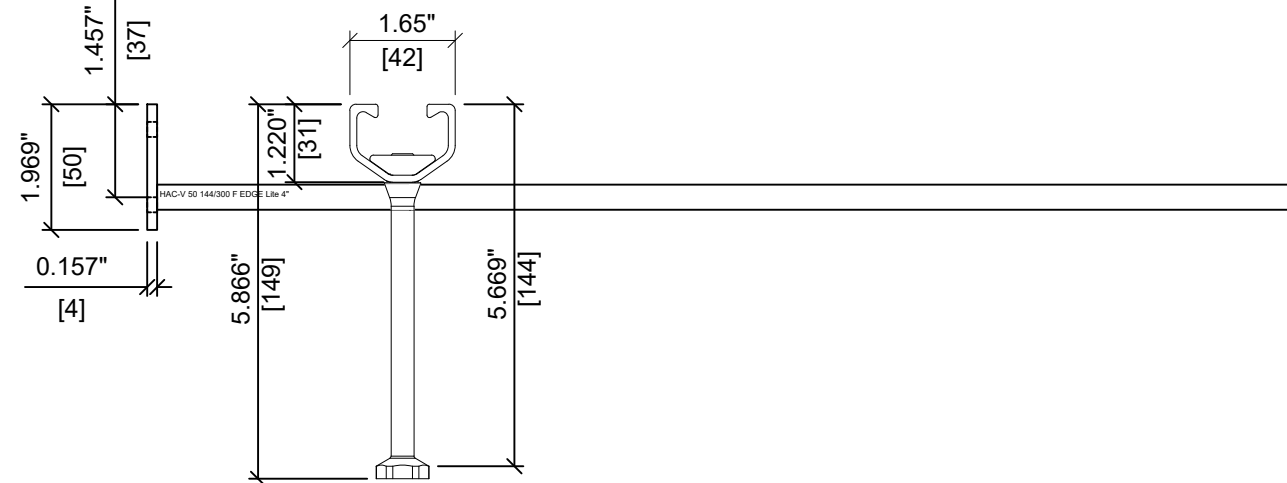


ITEM NUMBER: 2366670	CHANNEL LIP: SMOOTH
--------------------------------	-------------------------------

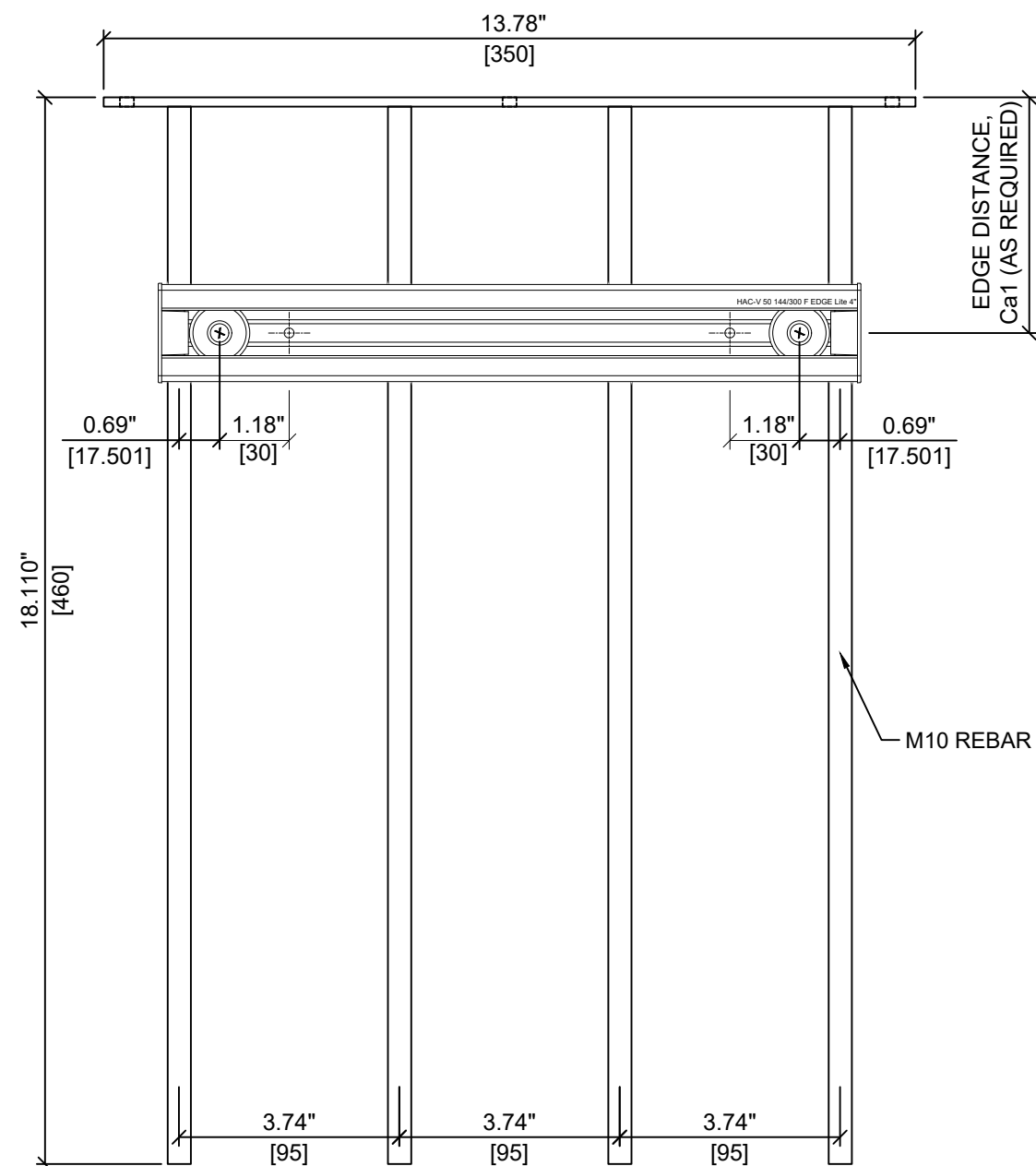
ITEM DESCRIPTION:
Rebar HAC-V 50 106/300 F EDGE Lite 4"



ELEVATION VIEW



SECTION A-A'



PLAN VIEW



ITEM NUMBER: 2366671	CHANNEL LIP: SMOOTH
--------------------------------	-------------------------------

ITEM DESCRIPTION:
Rebar HAC-V 50 144/300 F EDGE Lite 4"