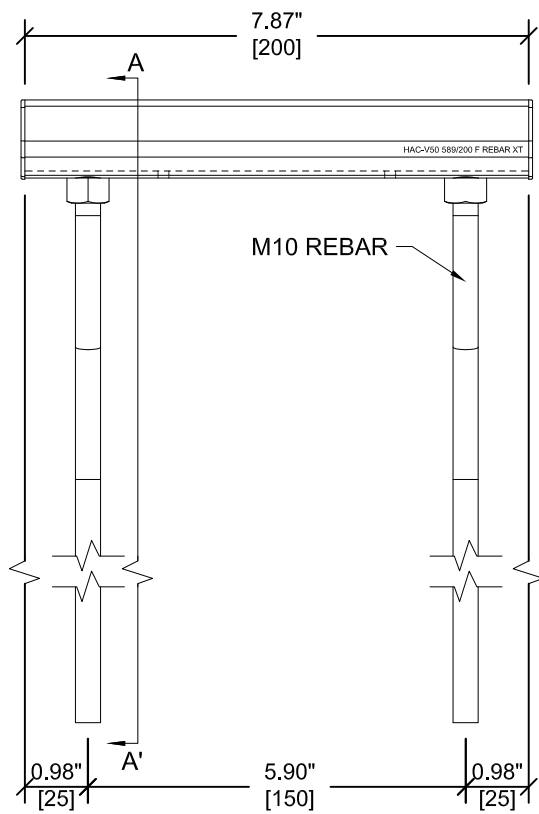
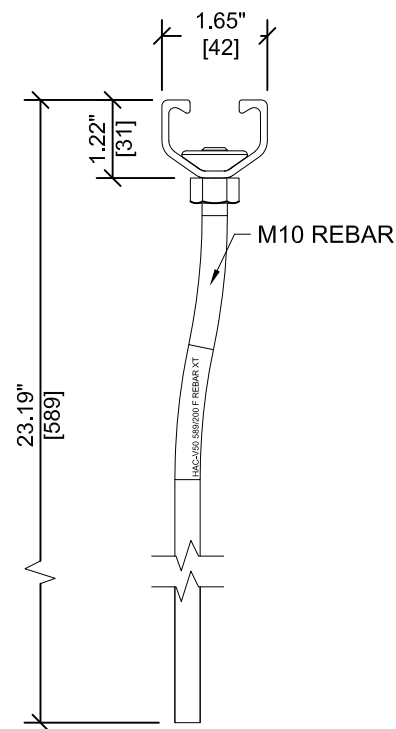


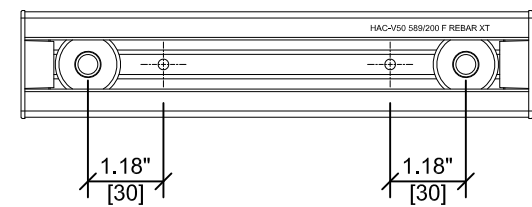
ITEM	DESCRIPTION	QUANTITY
1	CHANNEL PROFILE	1
2	RIVET CONNECTION	2
3	M10 REBAR	2
4	END CAP	2
5	TEAR OUT BAND	1
6	FILLER FOAM	1



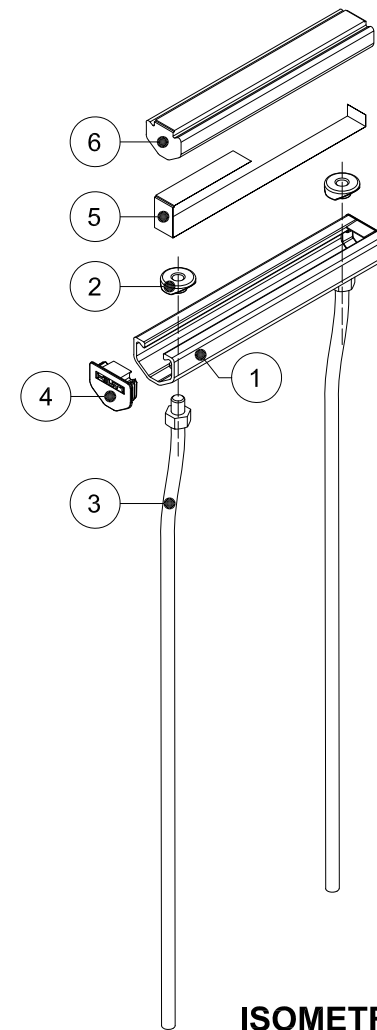
ELEVATION VIEW



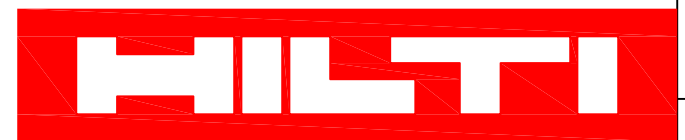
SECTION A-A'



PLAN VIEW



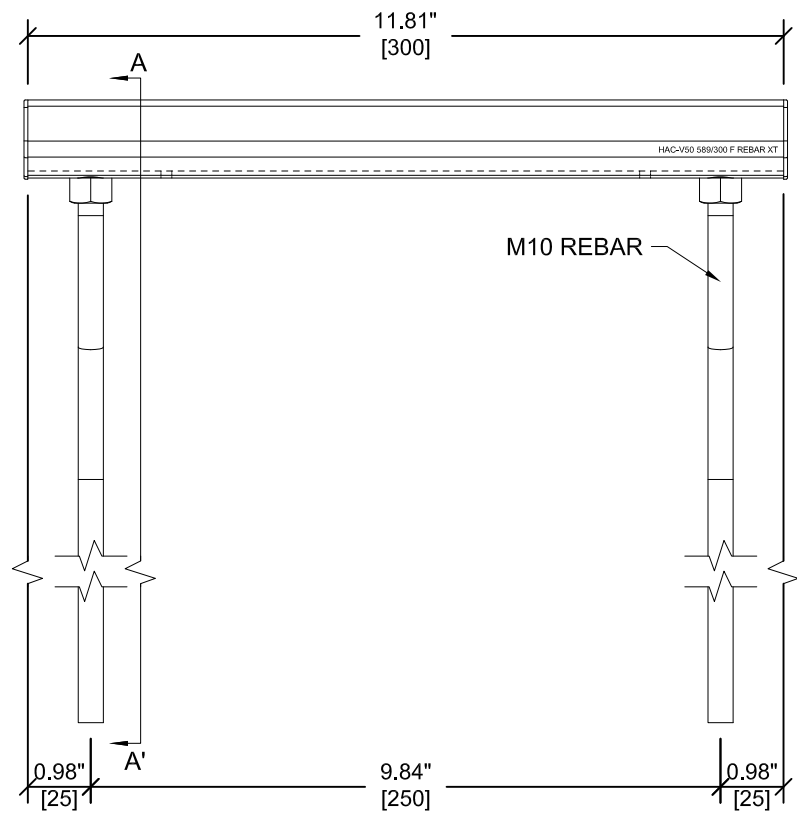
ISOMETRIC VIEW



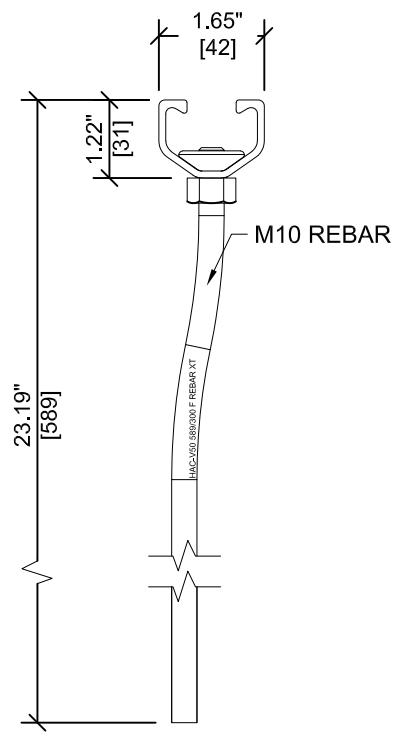
ITEM NUMBER: 2353752	CHANNEL LIP: SMOOTH
--------------------------------	-------------------------------

ITEM DESCRIPTION:
HAC-V 50 589/200 F Rebar XT

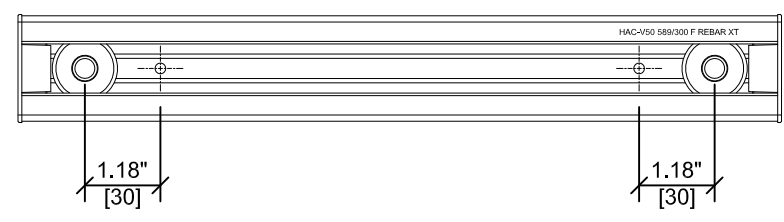
ITEM	DESCRIPTION	QUANTITY
1	CHANNEL PROFILE	1
2	RIVET CONNECTION	2
3	M10 REBAR	2
4	END CAP	2
5	TEAR OUT BAND	1
6	FILLER FOAM	1



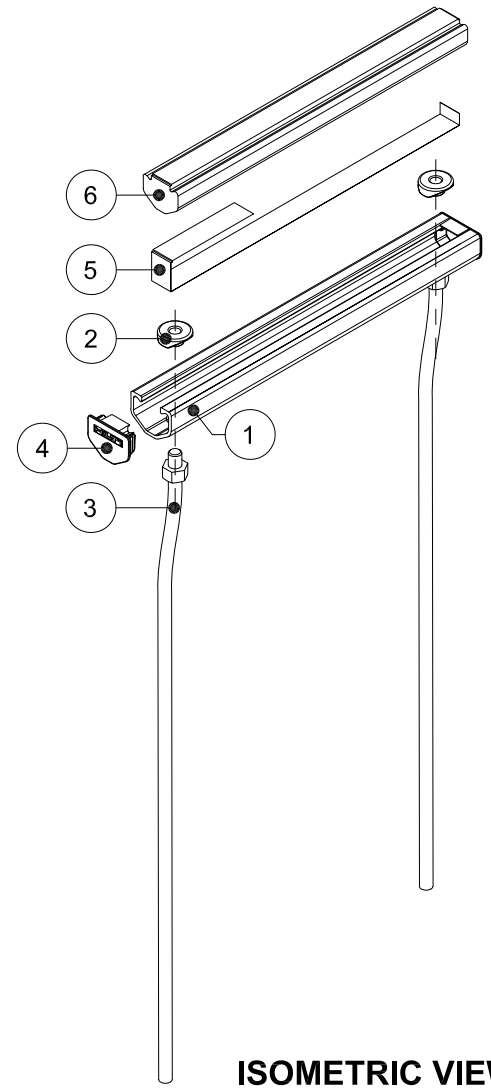
ELEVATION VIEW



SECTION A-A'



PLAN VIEW



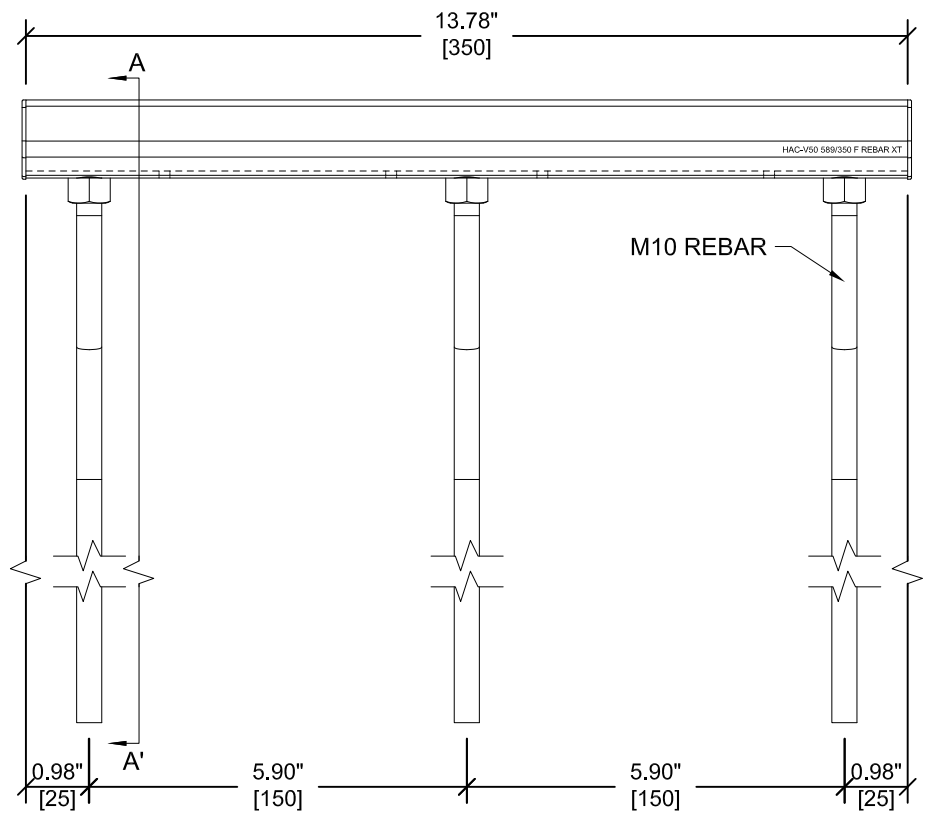
ISOMETRIC VIEW



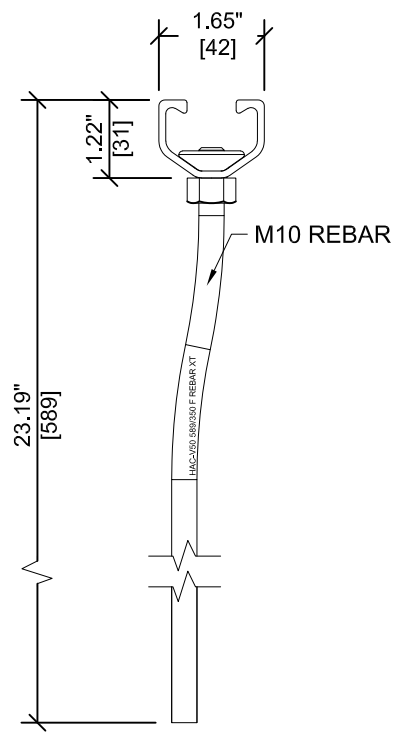
ITEM NUMBER: 2347988	CHANNEL LIP: SMOOTH
--------------------------------	-------------------------------

ITEM DESCRIPTION:
HAC-V 50 589/300 F Rebar XT

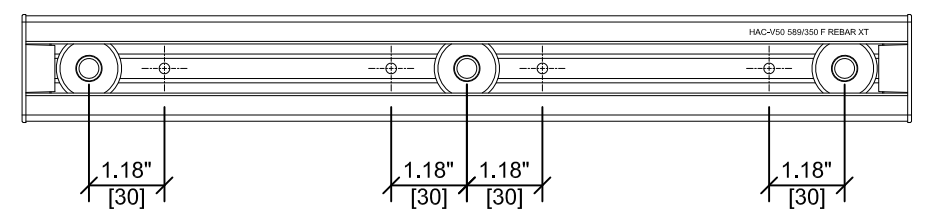
ITEM	DESCRIPTION	QUANTITY
1	CHANNEL PROFILE	1
2	RIVET CONNECTION	3
3	M10 REBAR	3
4	END CAP	2
5	TEAR OUT BAND	1
6	FILLER FOAM	1



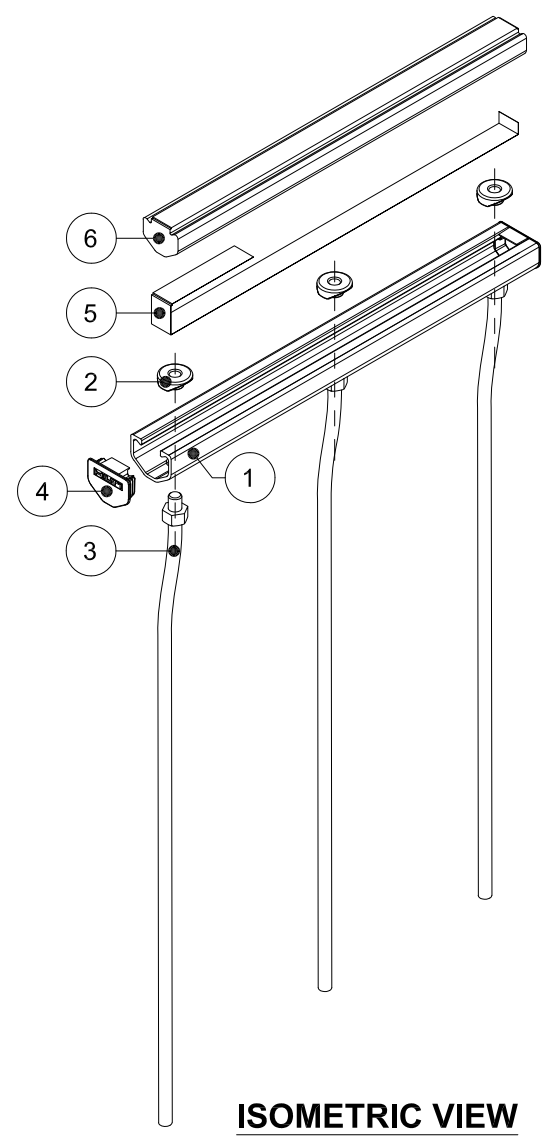
ELEVATION VIEW



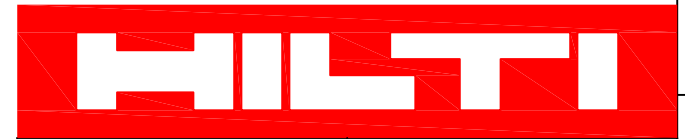
SECTION A-A'



PLAN VIEW



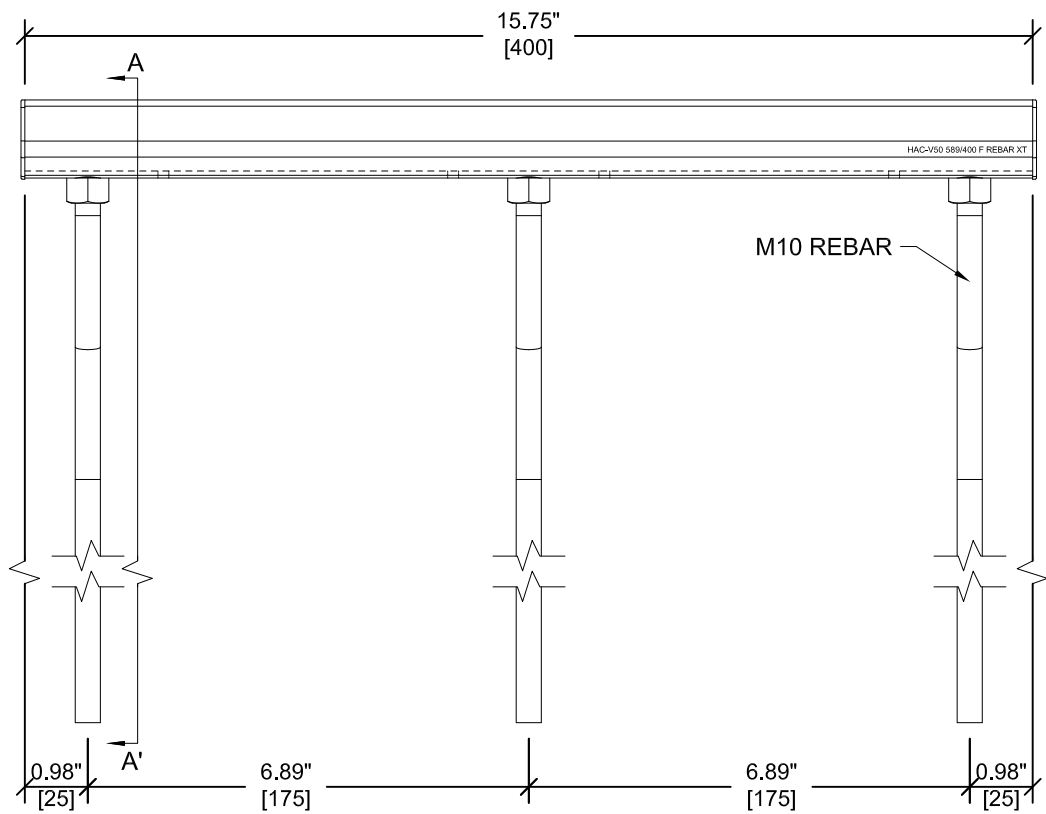
ISOMETRIC VIEW



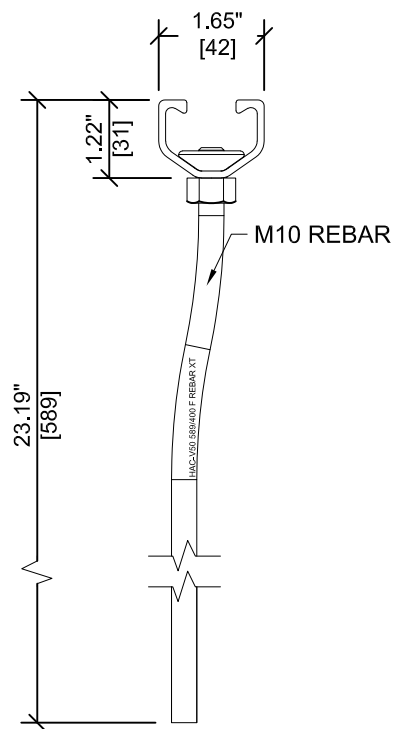
ITEM NUMBER: 2347989	CHANNEL LIP: SMOOTH
--------------------------------	-------------------------------

ITEM DESCRIPTION:
HAC-V 50 589/350 F Rebar XT

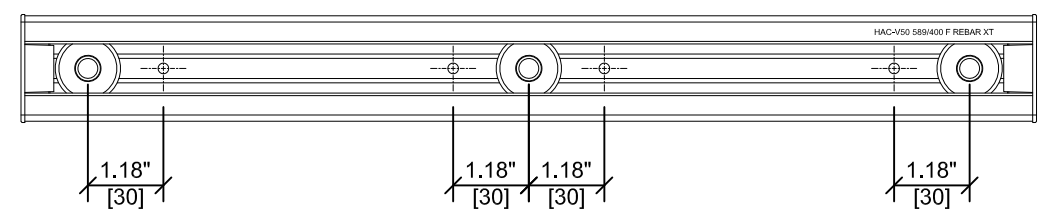
ITEM	DESCRIPTION	QUANTITY
1	CHANNEL PROFILE	1
2	RIVET CONNECTION	3
3	M10 REBAR	3
4	END CAP	2
5	TEAR OUT BAND	1
6	FILLER FOAM	1



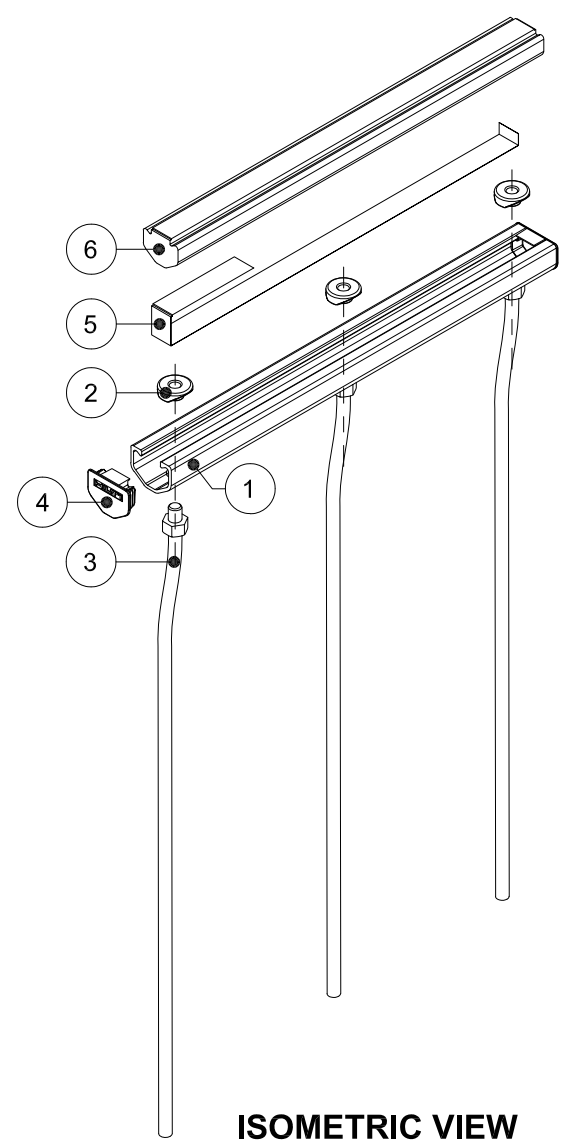
ELEVATION VIEW



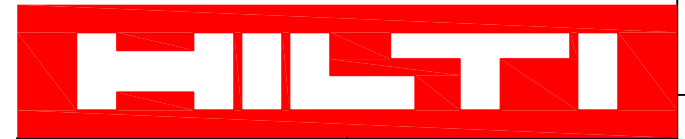
SECTION A-A'



PLAN VIEW



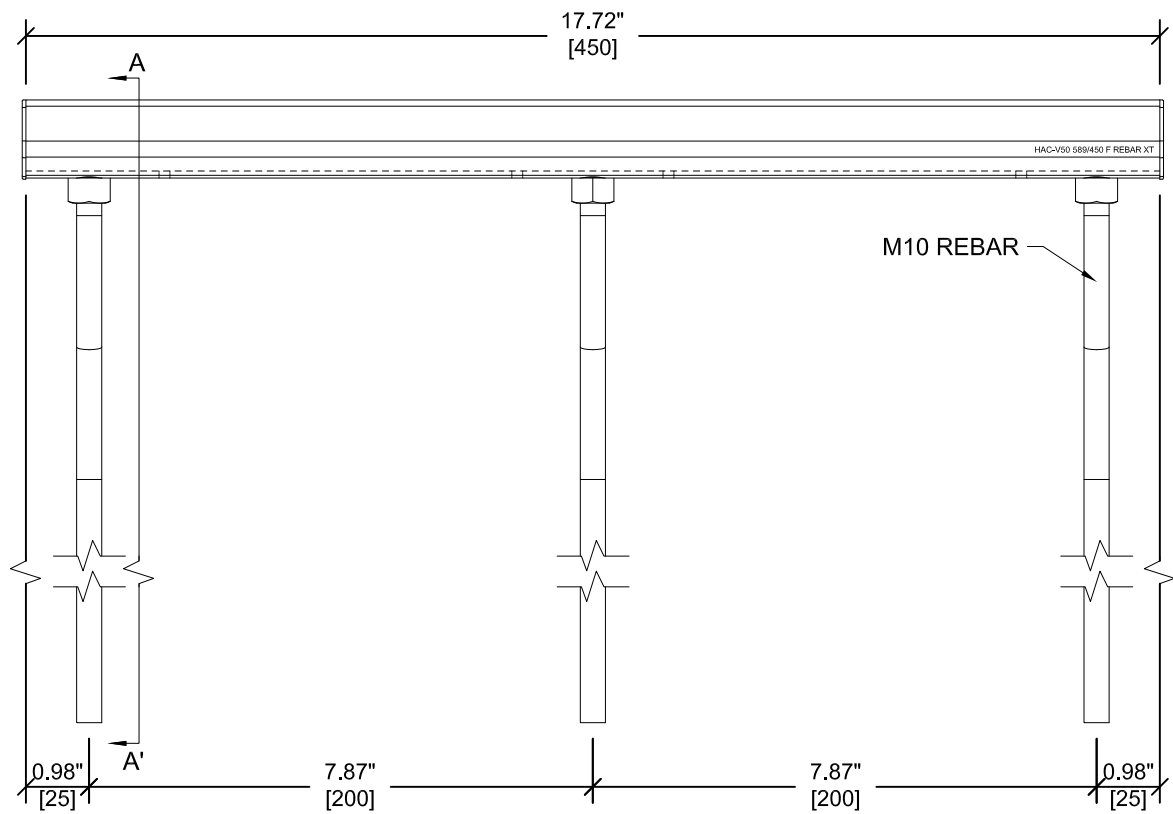
ISOMETRIC VIEW



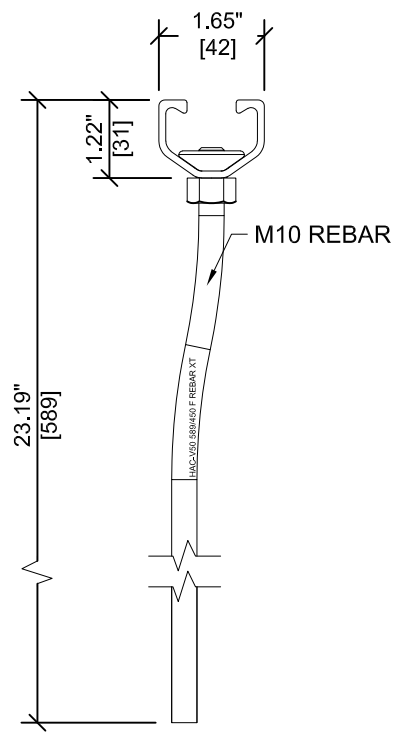
ITEM NUMBER: 2348130	CHANNEL LIP: SMOOTH
--------------------------------	-------------------------------

ITEM DESCRIPTION:
HAC-V 50 589/400 F Rebar XT

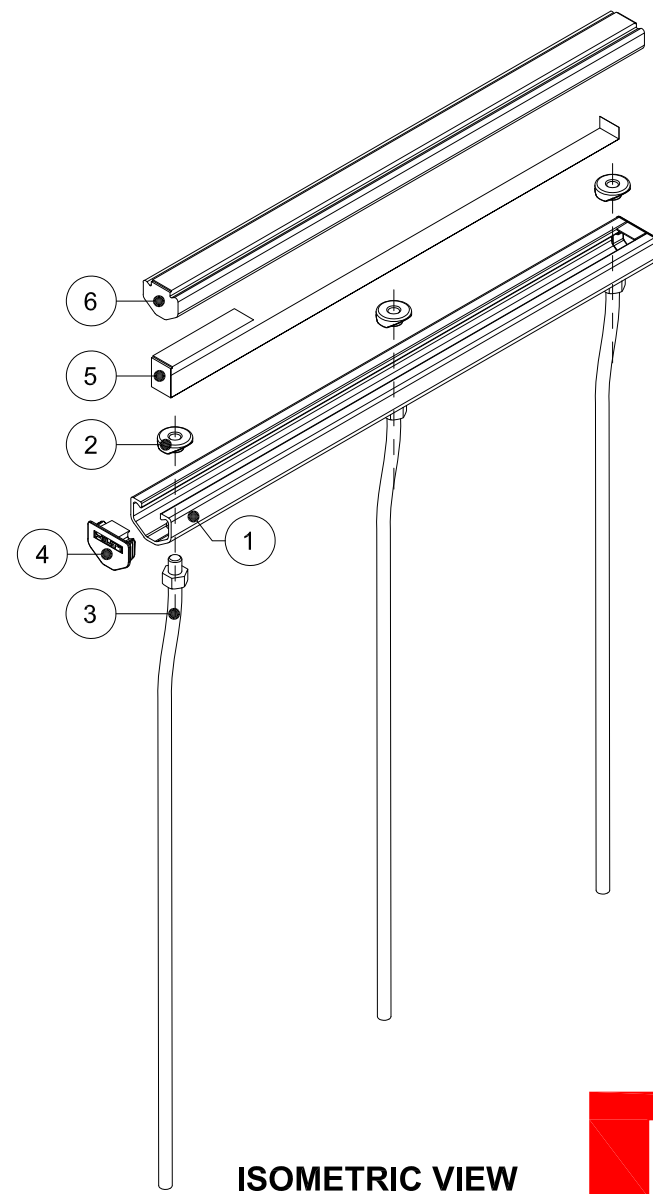
ITEM	DESCRIPTION	QUANTITY
1	CHANNEL PROFILE	1
2	RIVET CONNECTION	3
3	M10 REBAR	3
4	END CAP	2
5	TEAR OUT BAND	1
6	FILLER FOAM	1



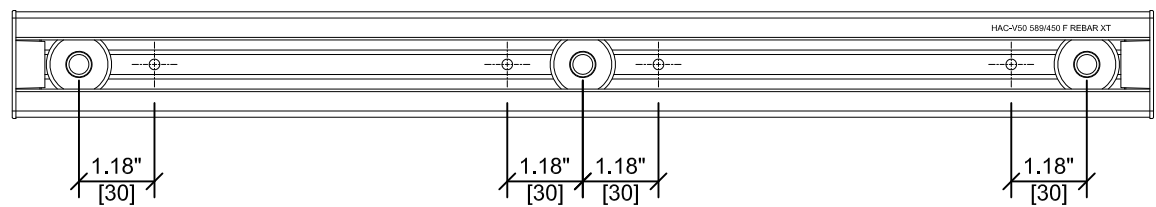
ELEVATION VIEW



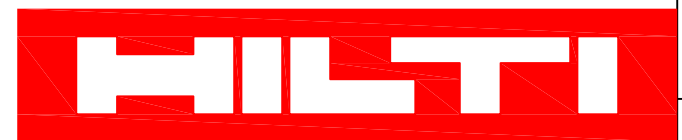
SECTION A-A'



ISOMETRIC VIEW

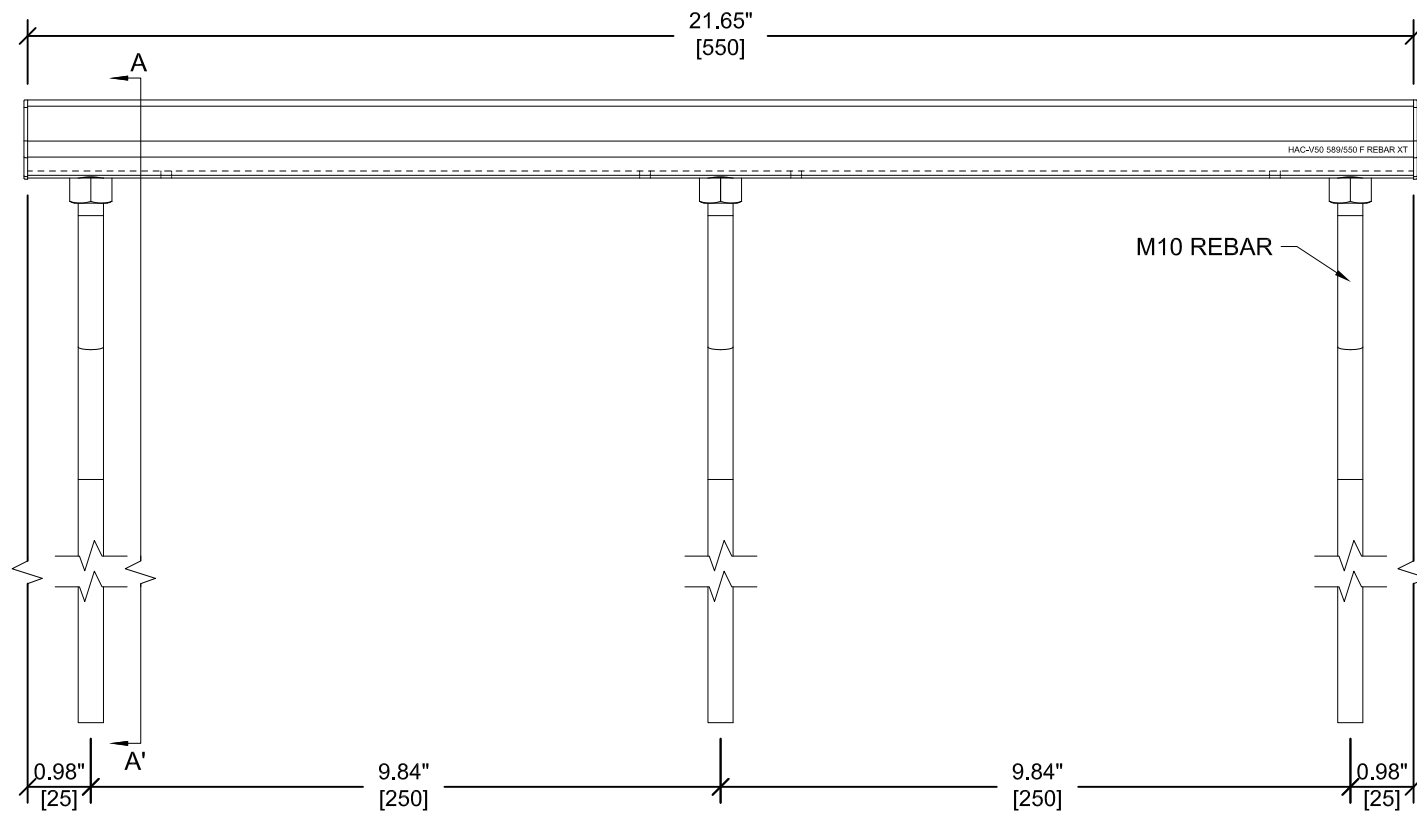


PLAN VIEW

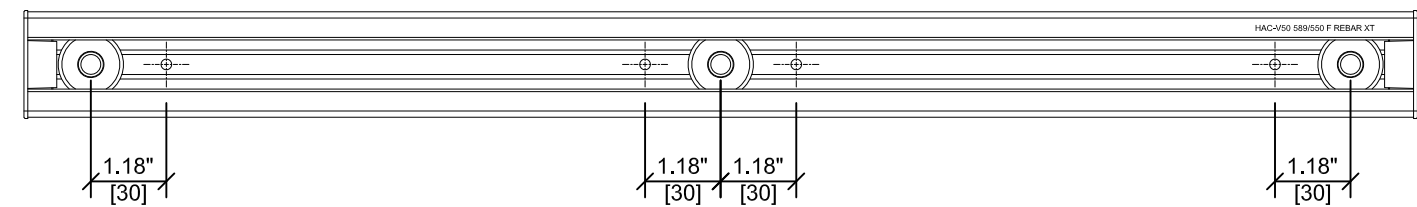


ITEM NUMBER: 2348131	CHANNEL LIP: SMOOTH	
ITEM DESCRIPTION: HAC-V 50 589/450 F Rebar XT		

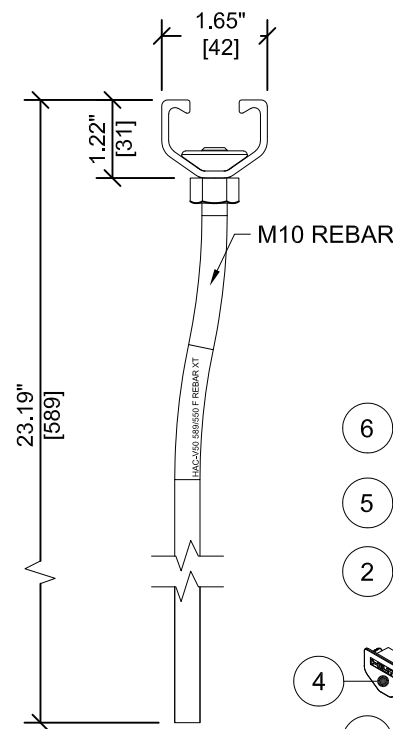
ITEM	DESCRIPTION	QUANTITY
1	CHANNEL PROFILE	1
2	RIVET CONNECTION	3
3	M10 REBAR	3
4	END CAP	2
5	TEAR OUT BAND	1
6	FILLER FOAM	1



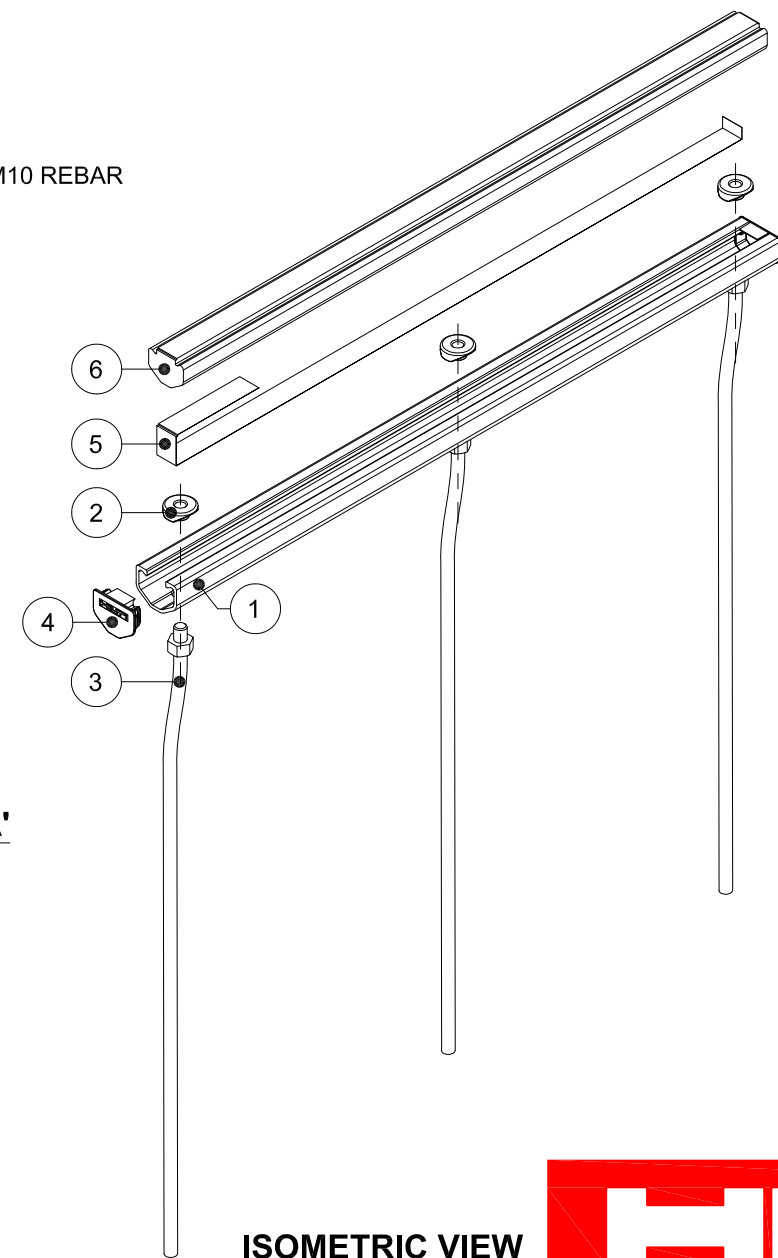
ELEVATION VIEW



PLAN VIEW



SECTION A-A'

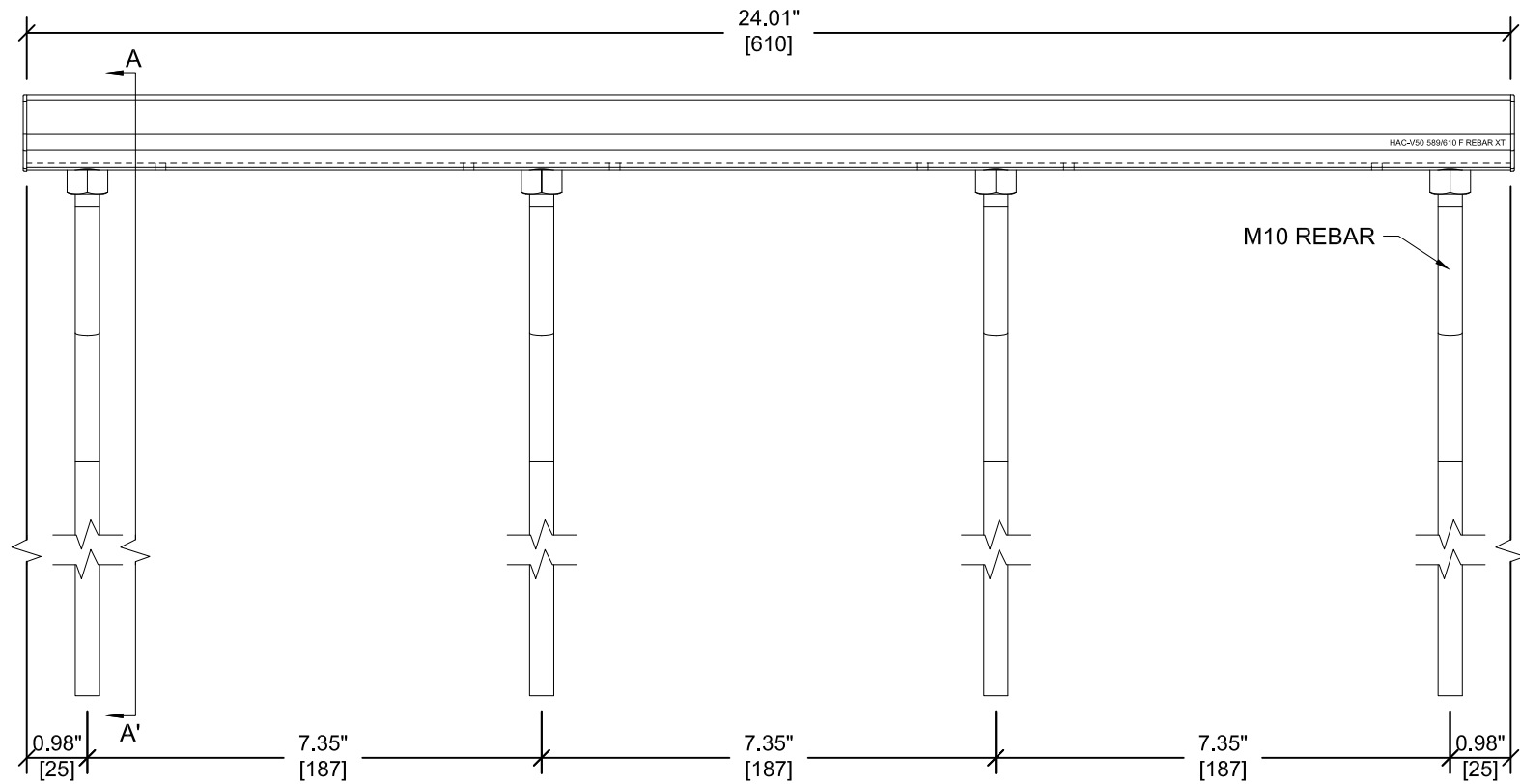


ISOMETRIC VIEW

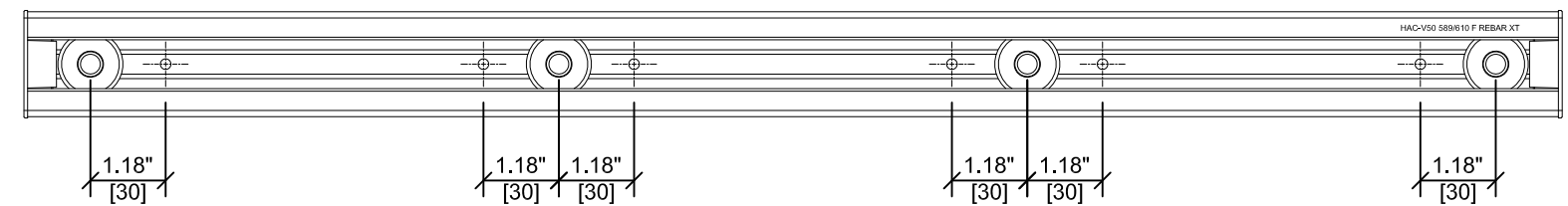
HILTI

ITEM NUMBER: <div style="font-size: 18px; font-weight: bold;">2348132</div>	CHANNEL LIP: <div style="font-size: 18px; font-weight: bold;">SMOOTH</div>
ITEM DESCRIPTION: <div style="font-size: 14px; font-weight: bold;">HAC-V 50 589/550 F Rebar XT</div>	

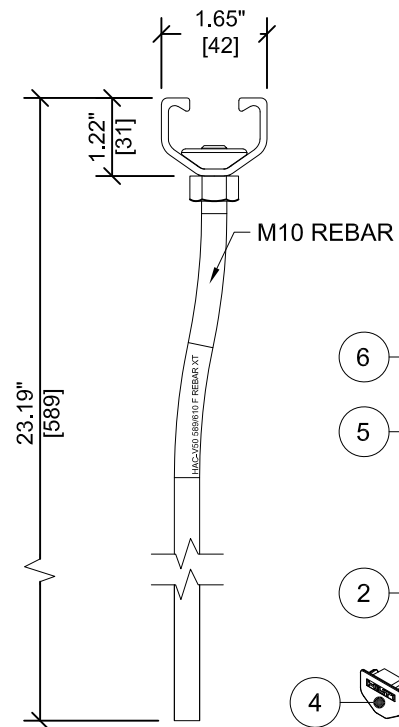
ITEM	DESCRIPTION	QUANTITY
1	CHANNEL PROFILE	1
2	RIVET CONNECTION	4
3	M10 REBAR	4
4	END CAP	2
5	TEAR OUT BAND	2
6	FILLER FOAM	1



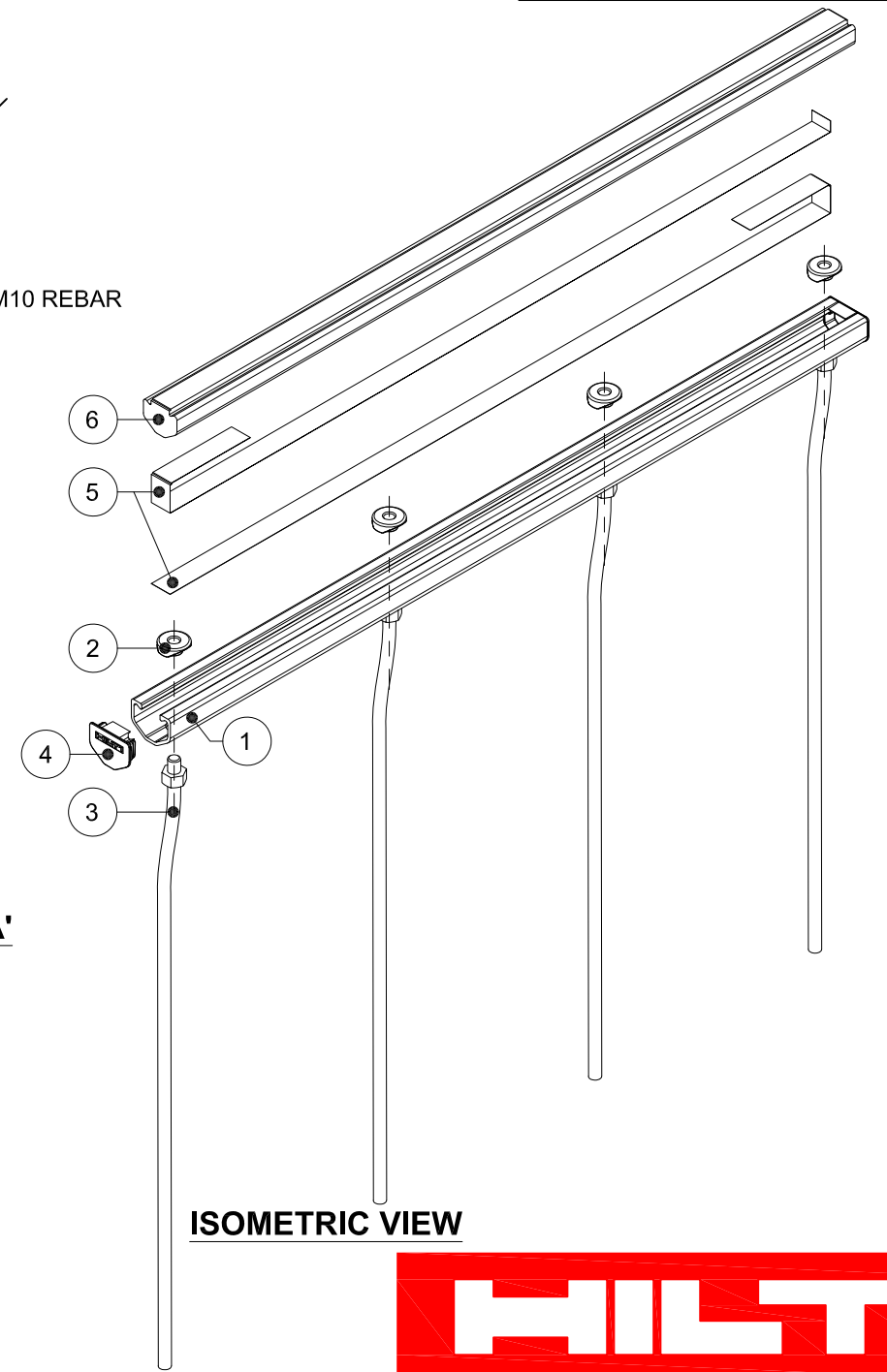
ELEVATION VIEW




PLAN VIEW



SECTION A-A'

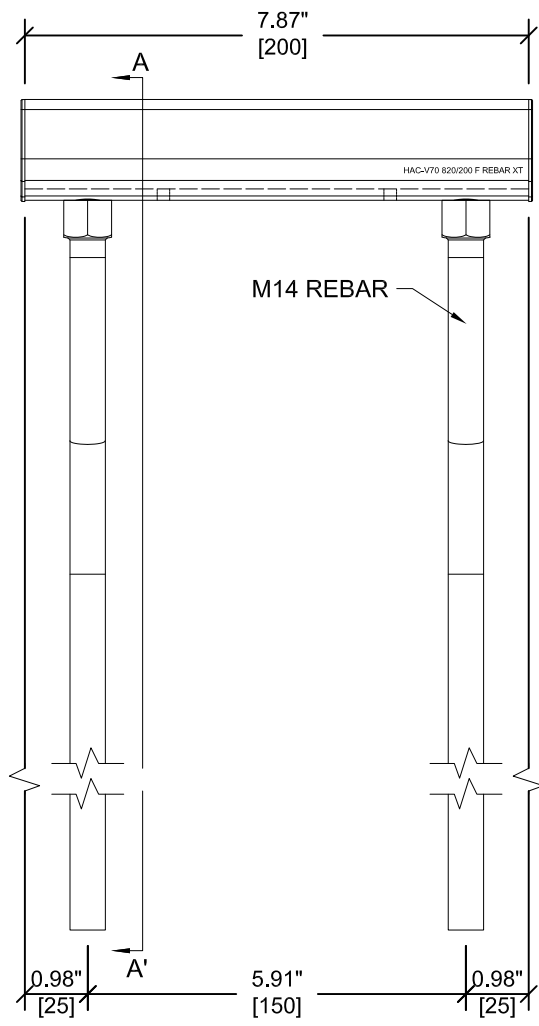


ISOMETRIC VIEW

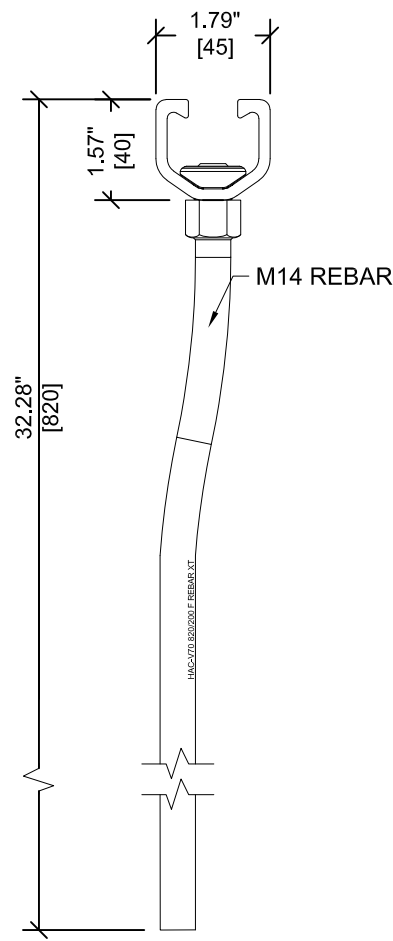


ITEM NUMBER: 2348133	CHANNEL LIP: SMOOTH
ITEM DESCRIPTION: HAC-V 50 589/610 F Rebar XT	

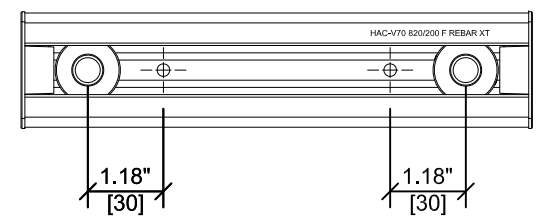
ITEM	DESCRIPTION	QUANTITY
1	CHANNEL PROFILE	1
2	RIVET CONNECTION	2
3	M14 REBAR	2
4	END CAP	2
5	TEAR OUT BAND	1
6	FILLER FOAM	1



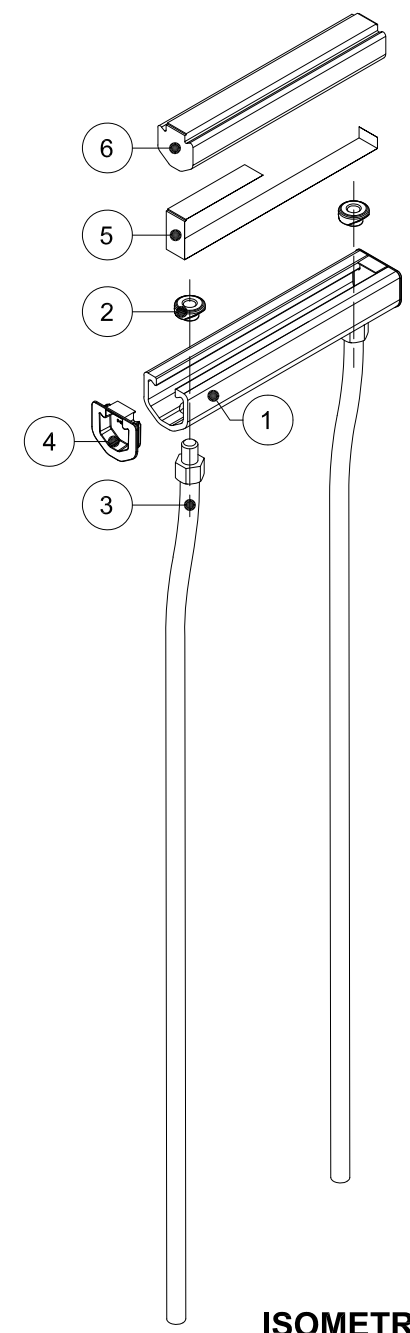
ELEVATION VIEW



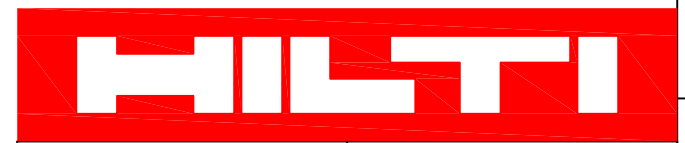
SECTION A-A'



PLAN VIEW



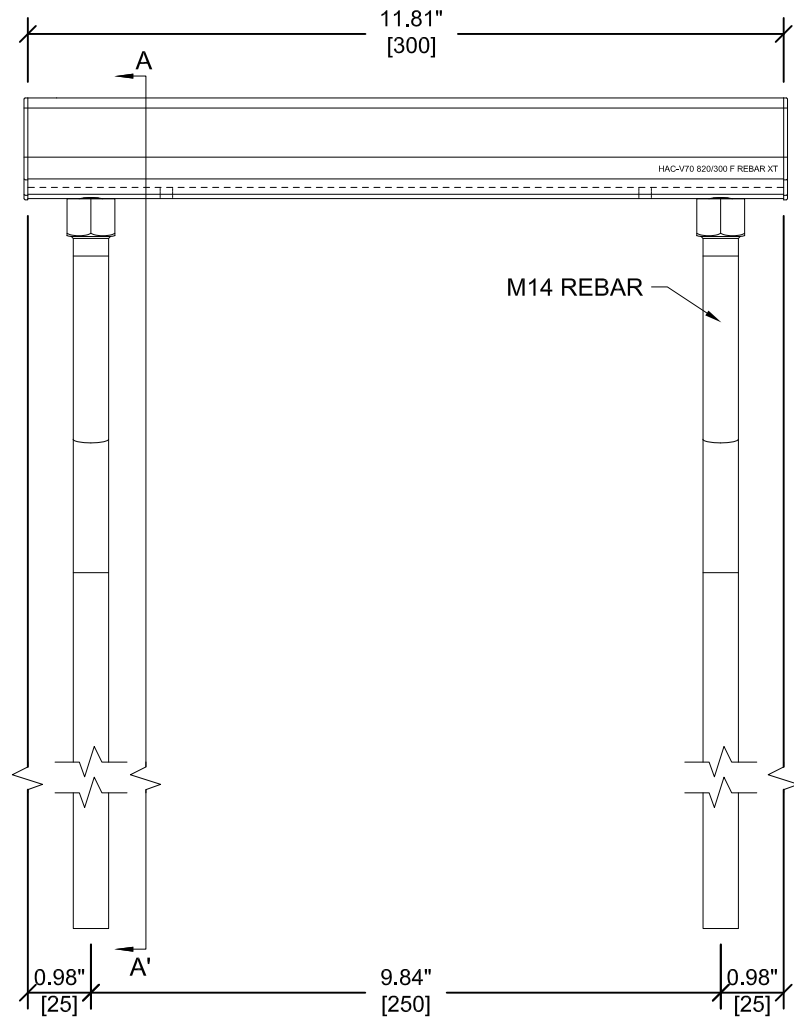
ISOMETRIC VIEW



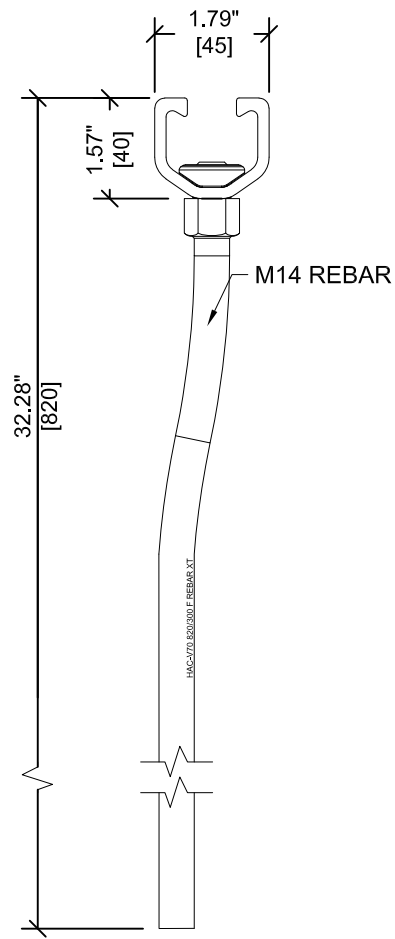
ITEM NUMBER: TBD	CHANNEL LIP: SMOOTH
----------------------------	-------------------------------

ITEM DESCRIPTION:
HAC-V 70 820/200 F Rebar XT

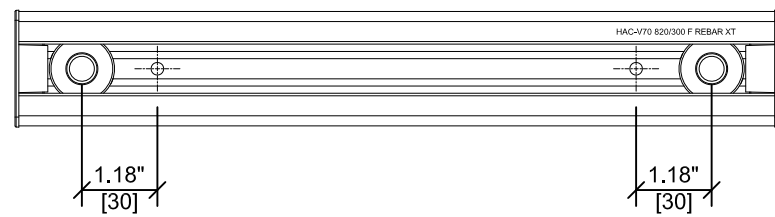
ITEM	DESCRIPTION	QUANTITY
1	CHANNEL PROFILE	1
2	RIVET CONNECTION	2
3	M14 REBAR	2
4	END CAP	2
5	TEAR OUT BAND	1
6	FILLER FOAM	1



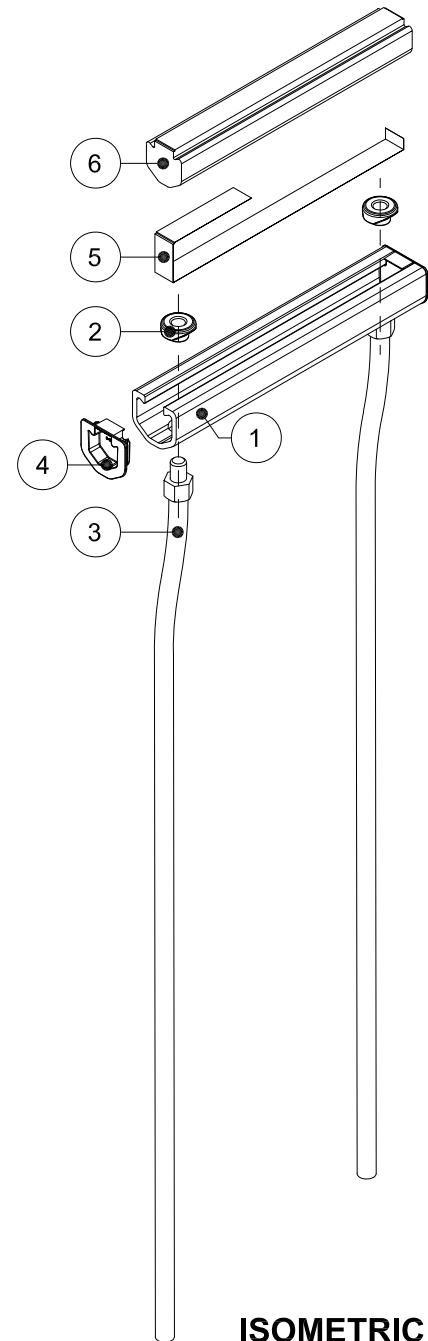
ELEVATION VIEW



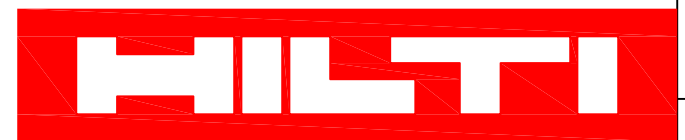
SECTION A-A'



PLAN VIEW

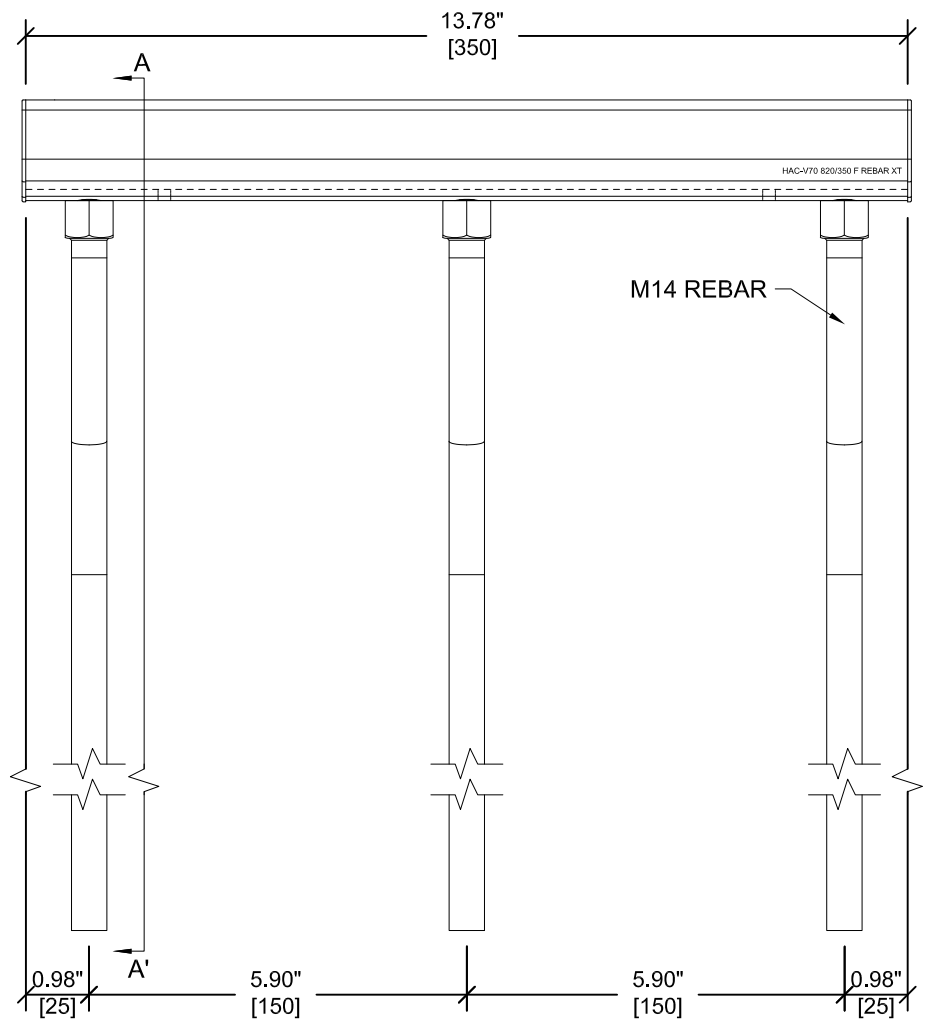


ISOMETRIC VIEW

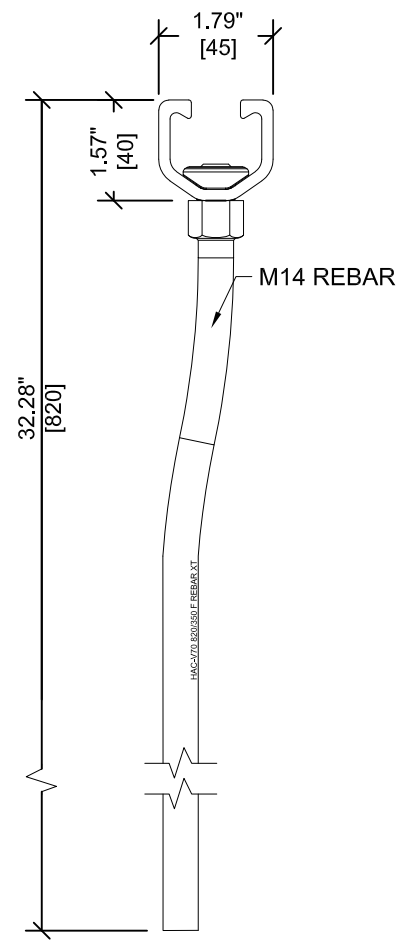


ITEM NUMBER: 2348140	CHANNEL LIP: SMOOTH	
ITEM DESCRIPTION: HAC-V 70 820/300 F Rebar XT		

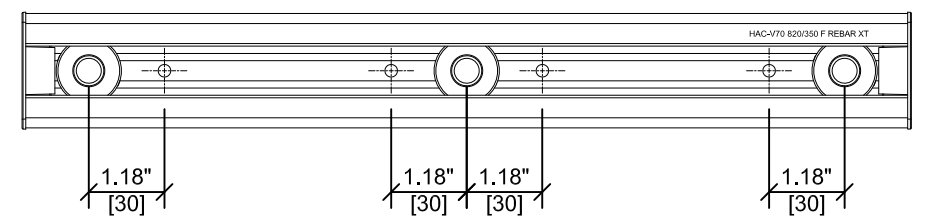
ITEM	DESCRIPTION	QUANTITY
1	CHANNEL PROFILE	1
2	RIVET CONNECTION	3
3	M14 REBAR	3
4	END CAP	2
5	TEAR OUT BAND	1
6	FILLER FOAM	1



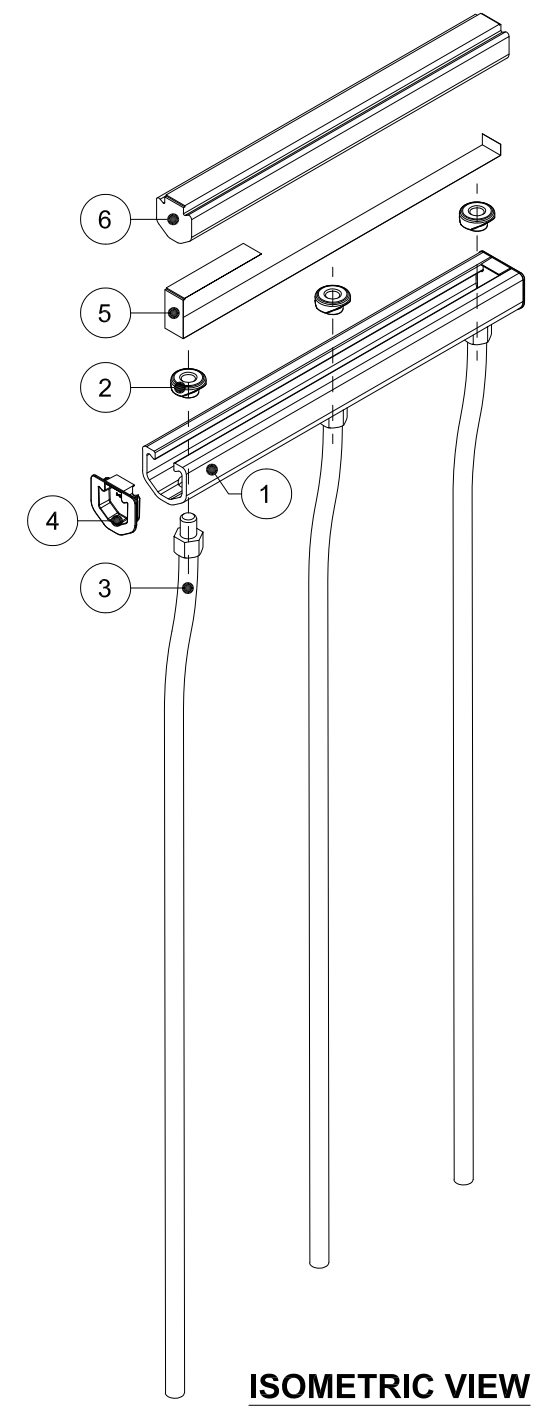
ELEVATION VIEW



SECTION A-A'



PLAN VIEW



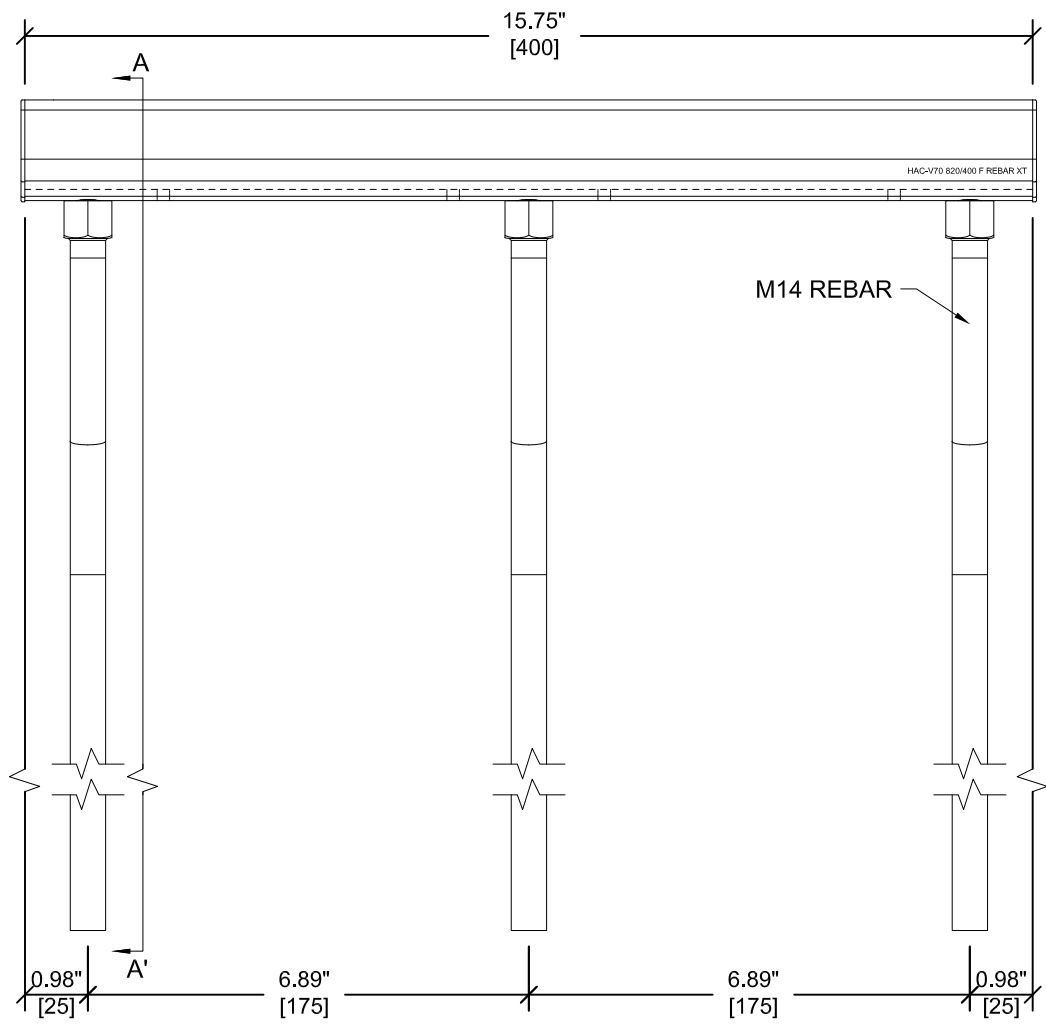
ISOMETRIC VIEW



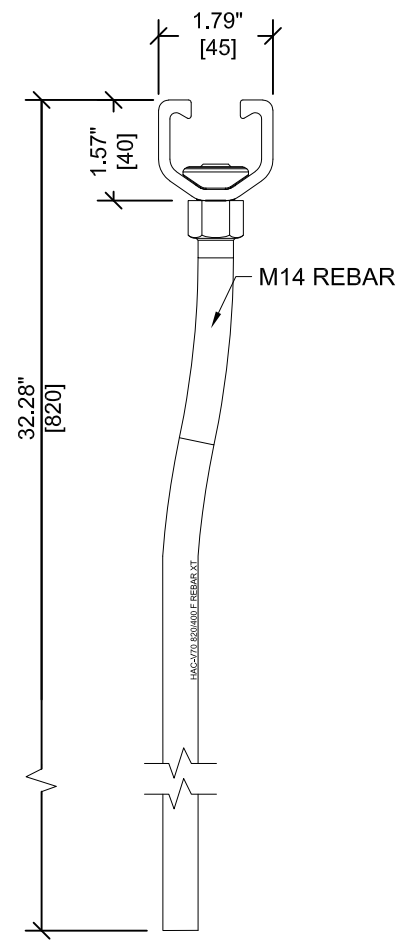
ITEM NUMBER: 2348141	CHANNEL LIP: SMOOTH
--------------------------------	-------------------------------

ITEM DESCRIPTION:
HAC-V 70 820/350 F Rebar XT

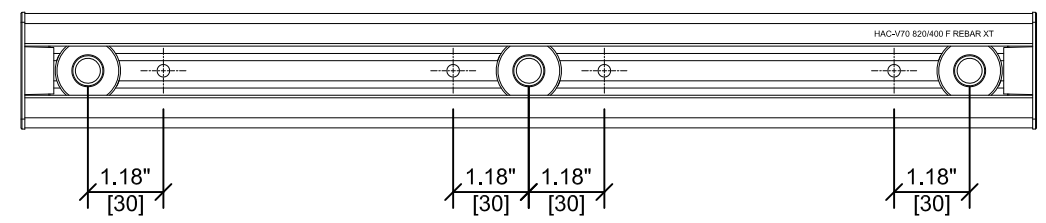
ITEM	DESCRIPTION	QUANTITY
1	CHANNEL PROFILE	1
2	RIVET CONNECTION	3
3	M14 REBAR	3
4	END CAP	2
5	TEAR OUT BAND	1
6	FILLER FOAM	1



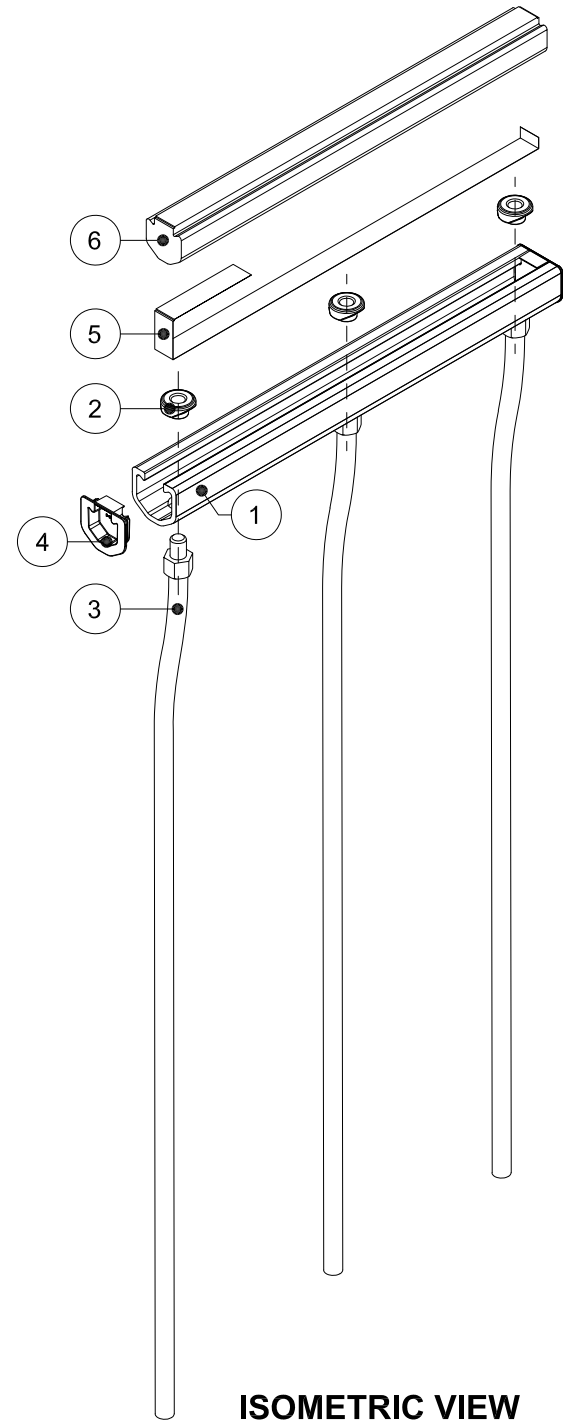
ELEVATION VIEW



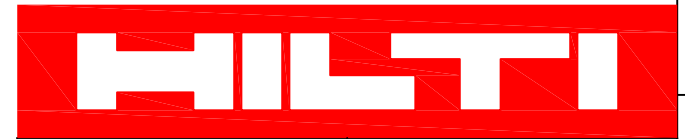
SECTION A-A'



PLAN VIEW



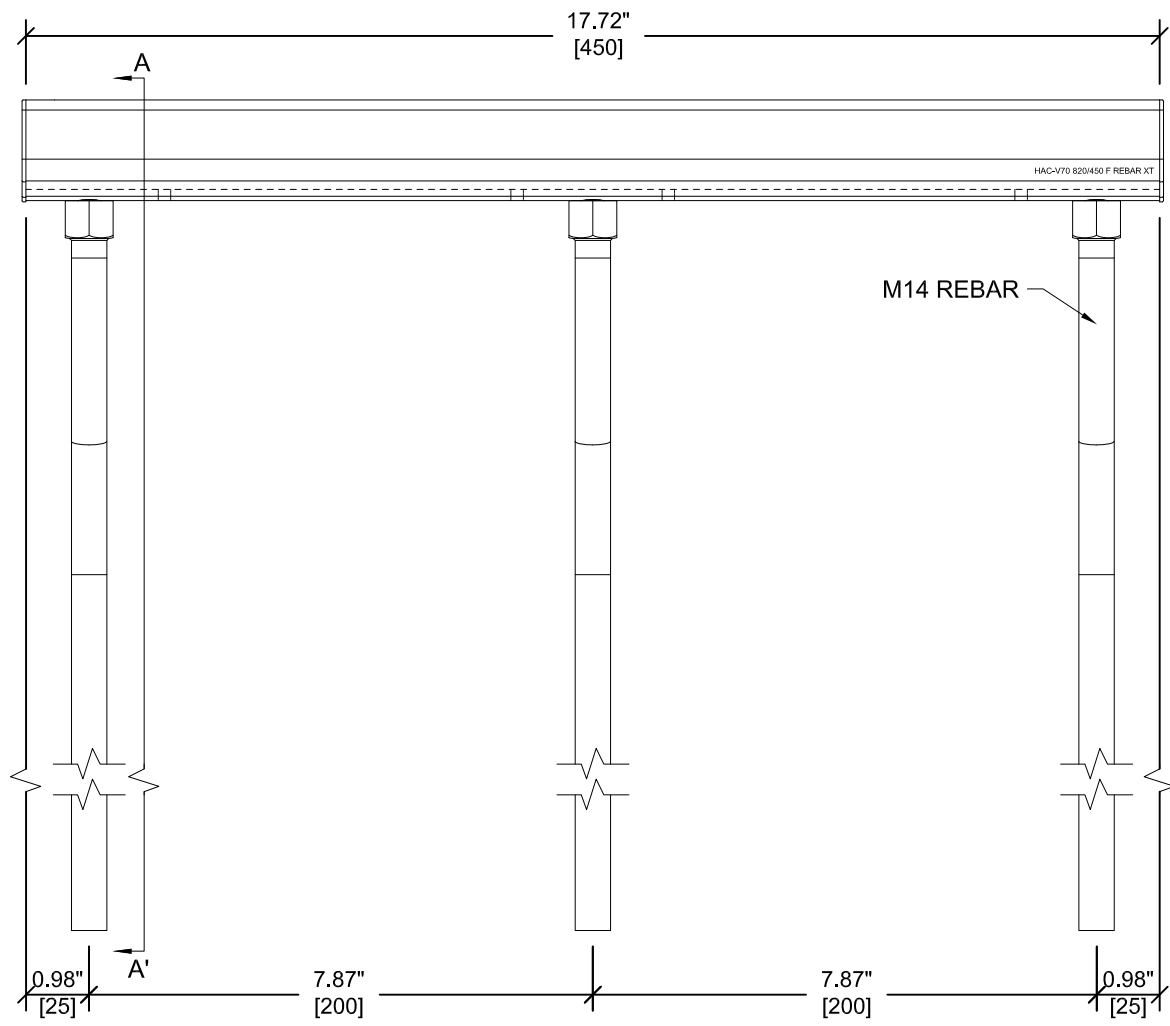
ISOMETRIC VIEW



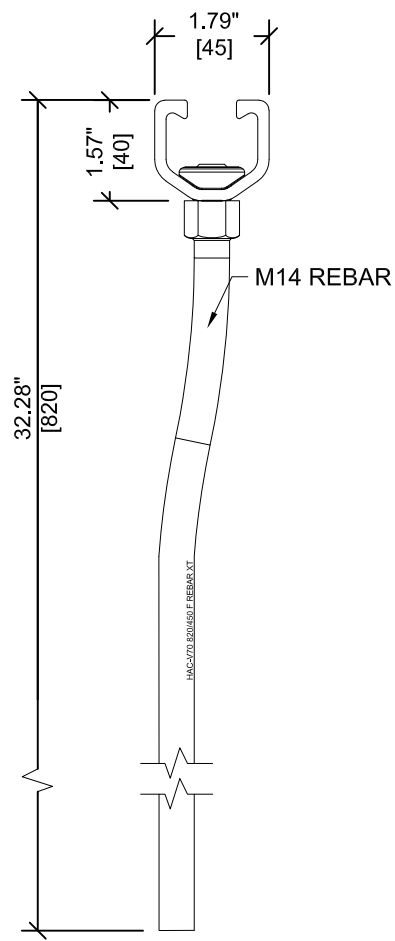
ITEM NUMBER: 2348142	CHANNEL LIP: SMOOTH
--------------------------------	-------------------------------

ITEM DESCRIPTION:
HAC-V 70 820/400 F Rebar XT

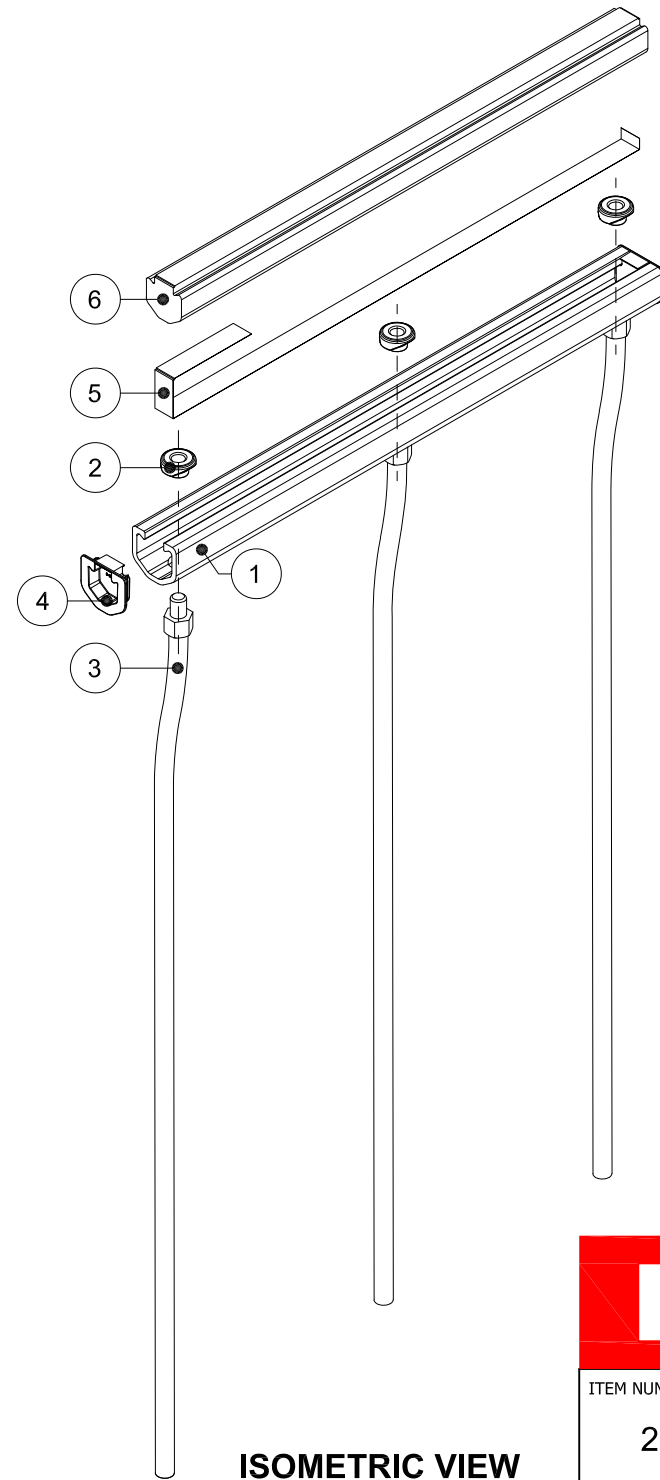
ITEM	DESCRIPTION	QUANTITY
1	CHANNEL PROFILE	1
2	RIVET CONNECTION	3
3	M14 REBAR	3
4	END CAP	2
5	TEAR OUT BAND	1
6	FILLER FOAM	1



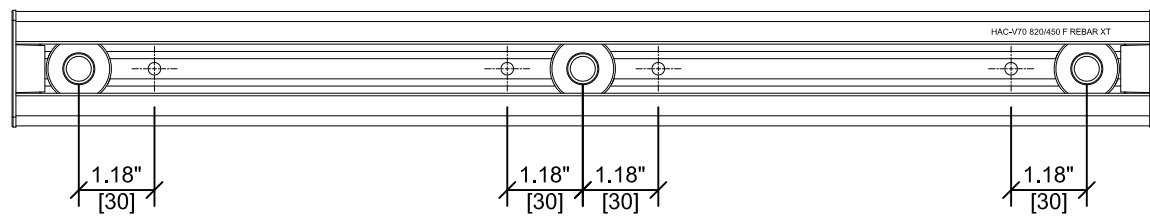
ELEVATION VIEW



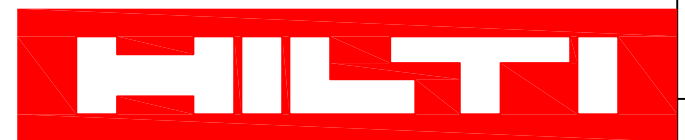
SECTION A-A'



ISOMETRIC VIEW

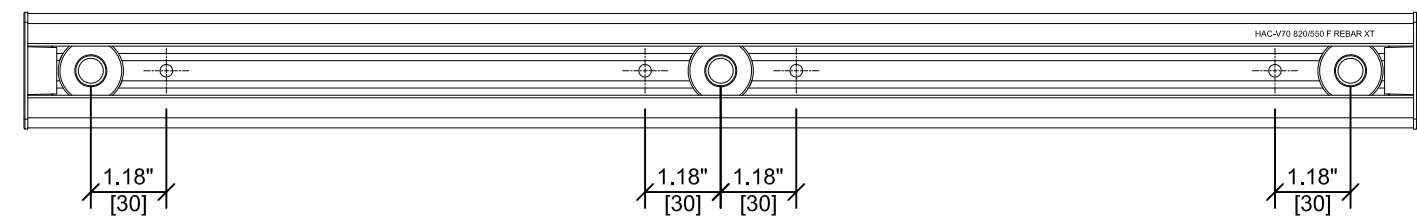
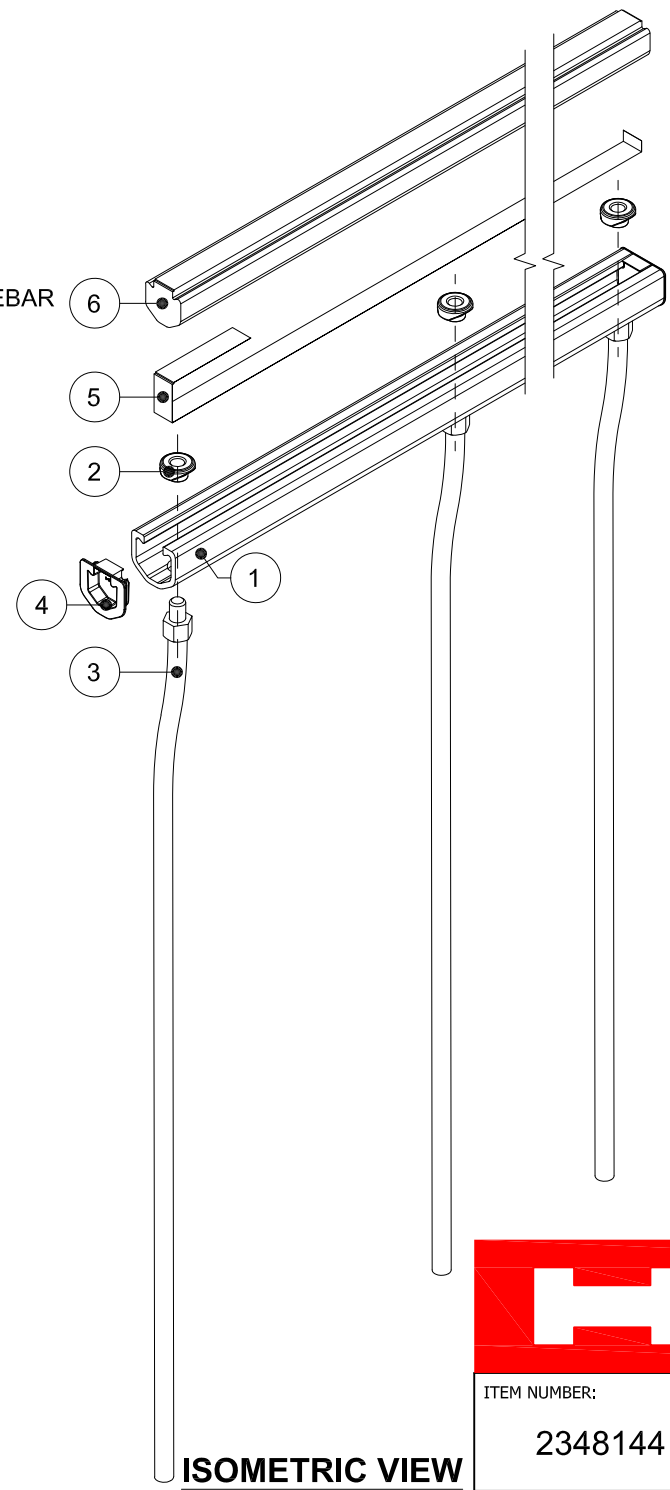
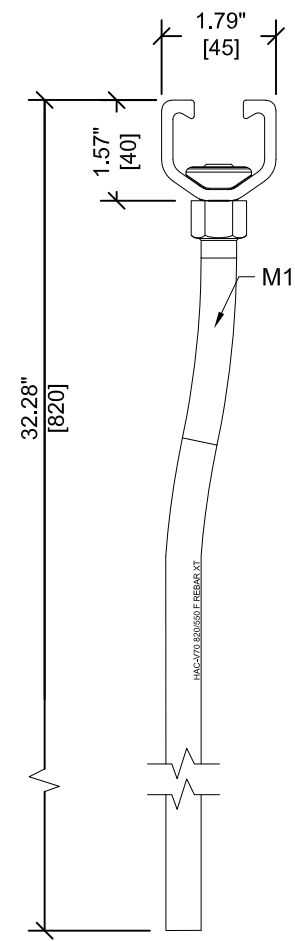
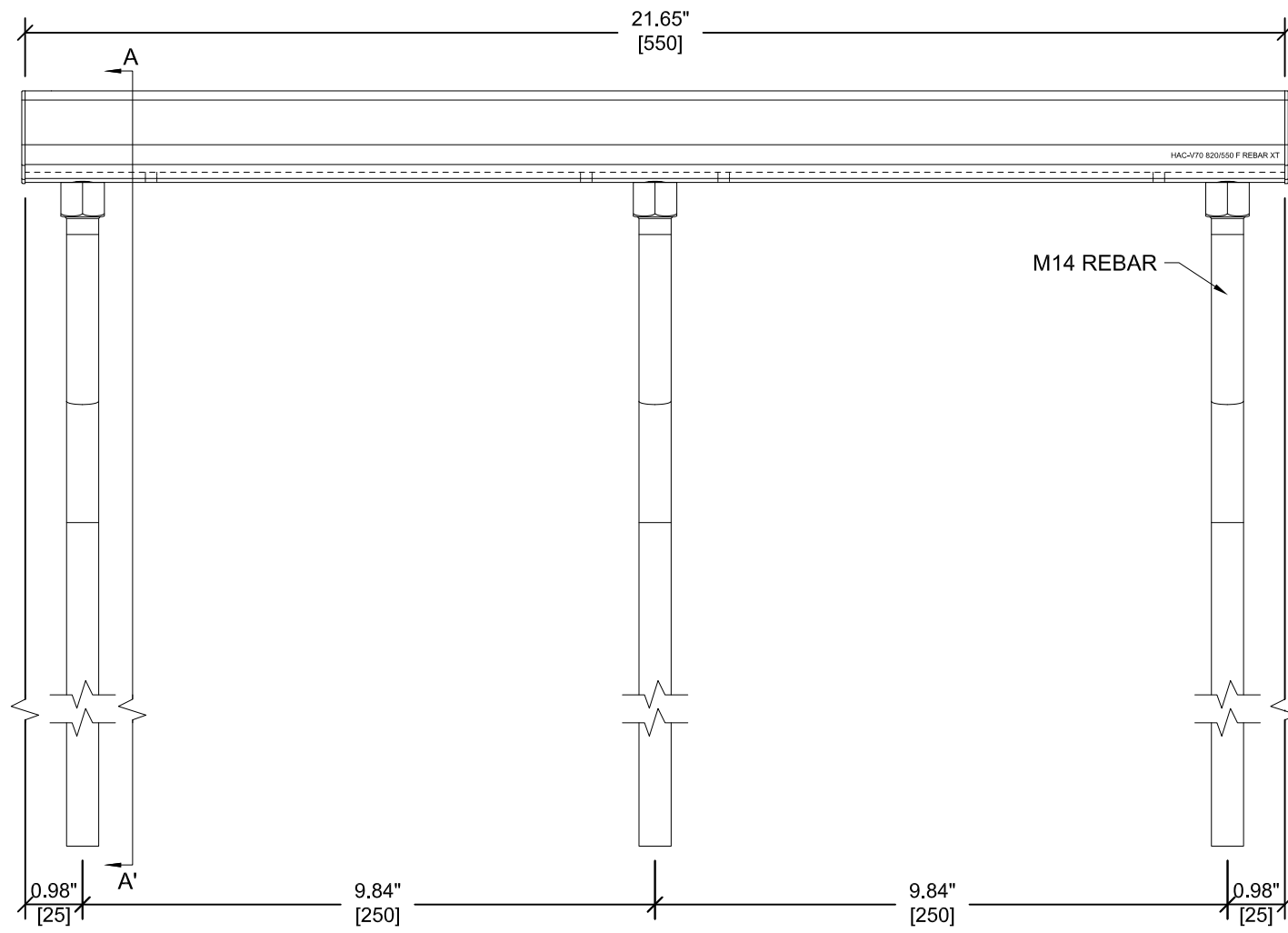


PLAN VIEW



ITEM NUMBER: 2348143	CHANNEL LIP: SMOOTH	
ITEM DESCRIPTION: HAC-V 70 820/450 F Rebar XT		

ITEM	DESCRIPTION	QUANTITY
1	CHANNEL PROFILE	1
2	RIVET CONNECTION	3
3	M14 REBAR	3
4	END CAP	2
5	TEAR OUT BAND	1
6	FILLER FOAM	1

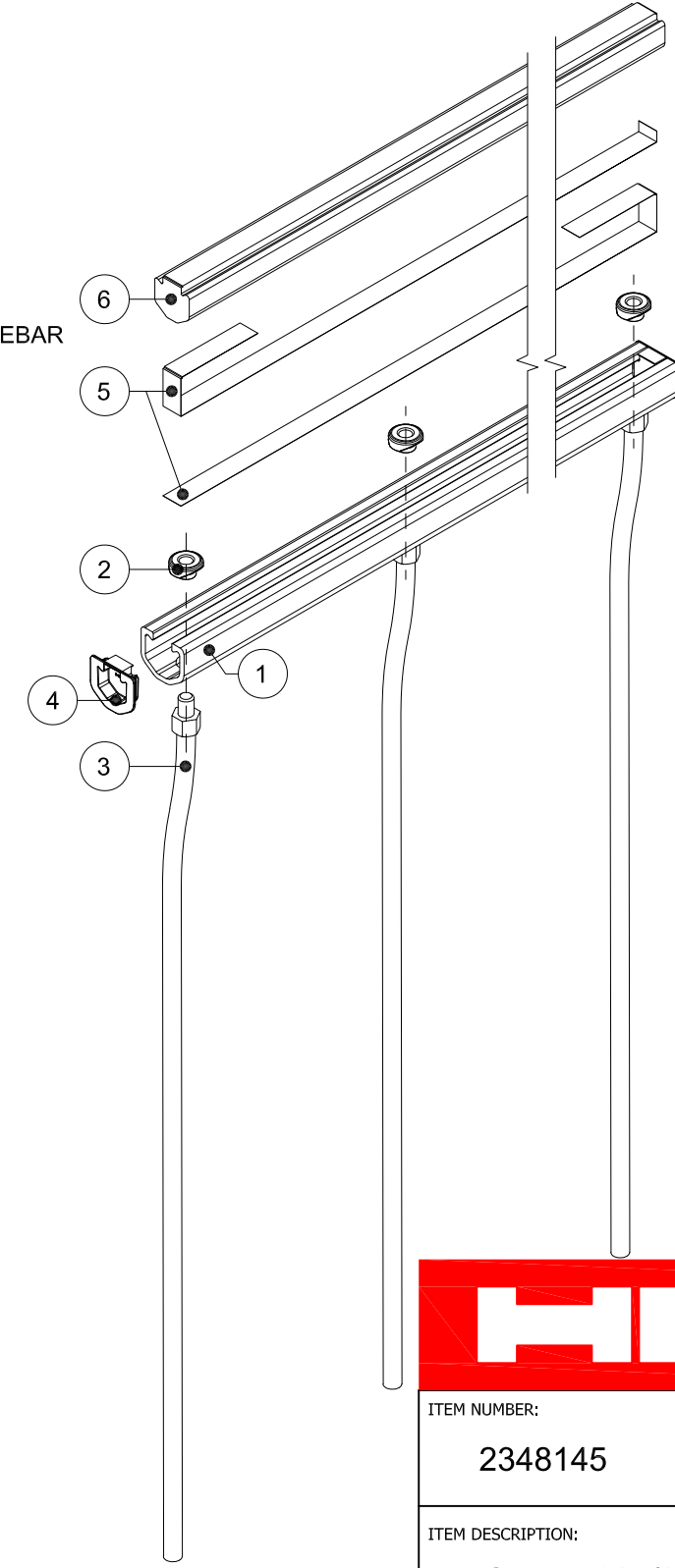
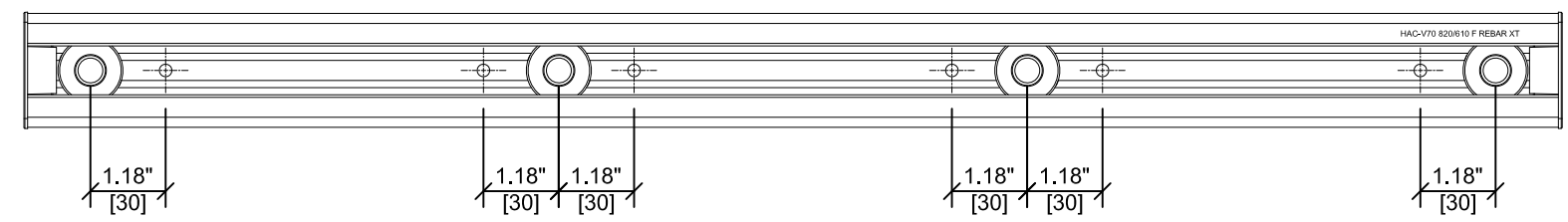
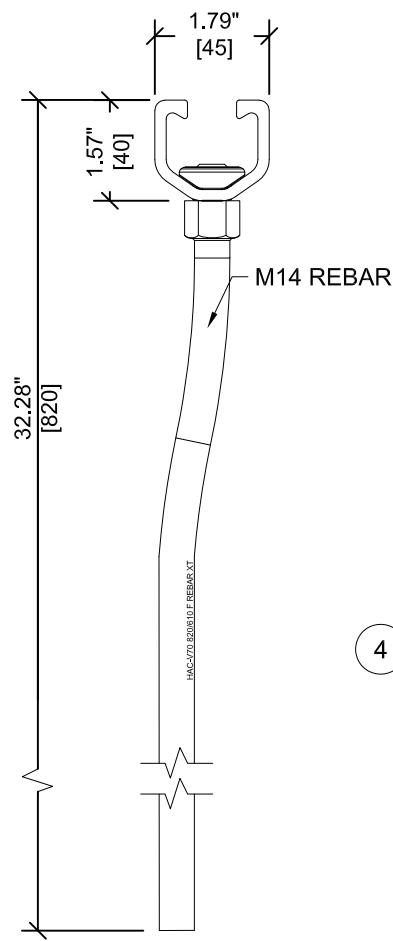
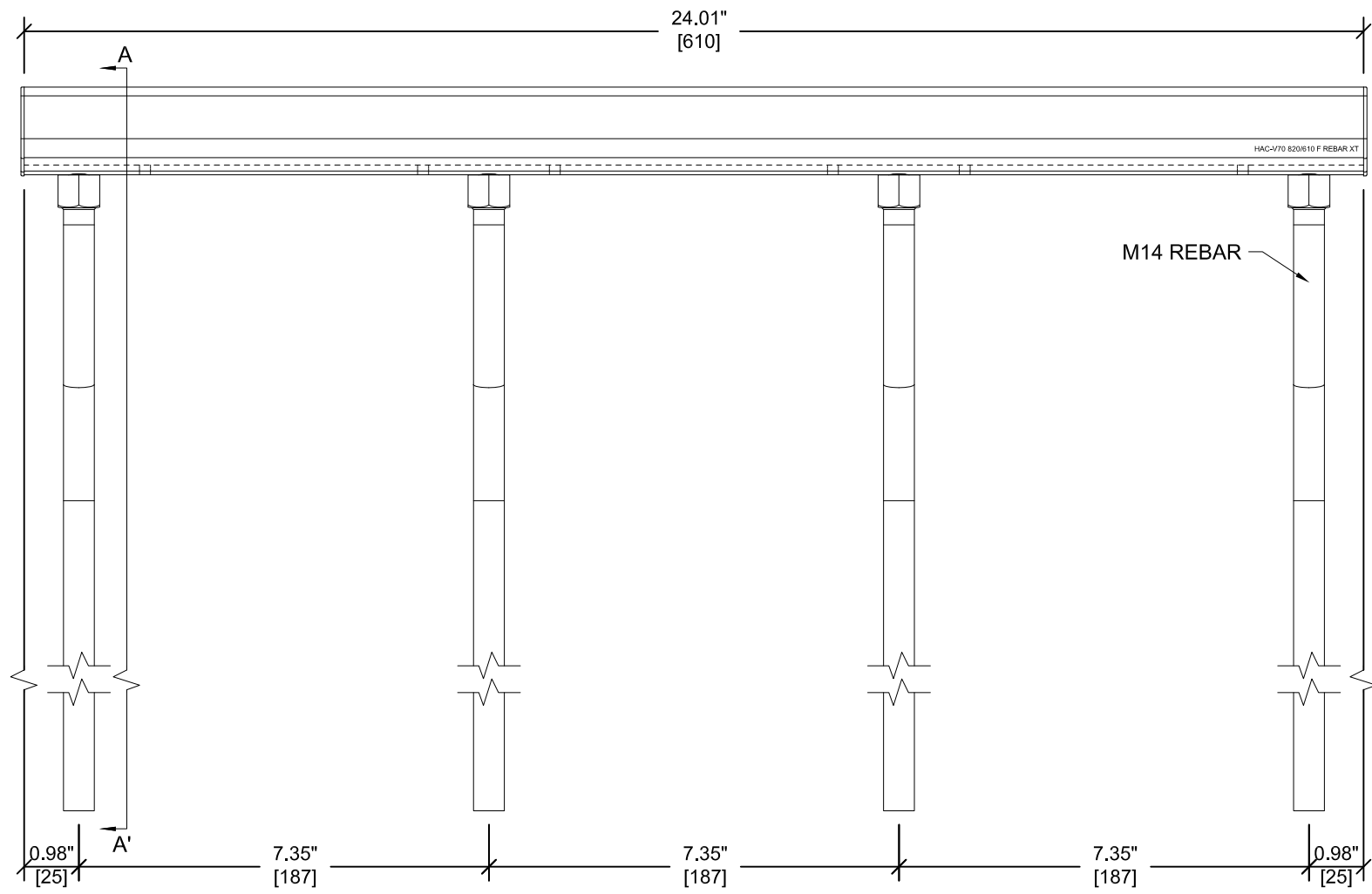


ITEM NUMBER: 2348144

CHANNEL LIP: SMOOTH

ITEM DESCRIPTION: HAC-V 70 820/550 F Rebar XT

ITEM	DESCRIPTION	QUANTITY
1	CHANNEL PROFILE	1
2	RIVET CONNECTION	4
3	M14 REBAR	4
4	END CAP	2
5	TEAR OUT BAND	2
6	FILLER FOAM	1



ITEM NUMBER: 2348145

CHANNEL LIP: SMOOTH

ITEM DESCRIPTION: HAC-V 70 820/610 F Rebar XT