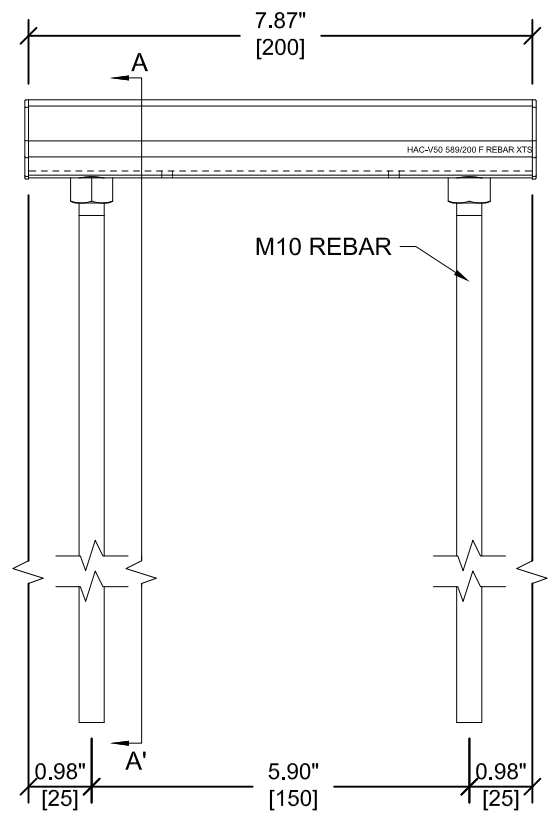
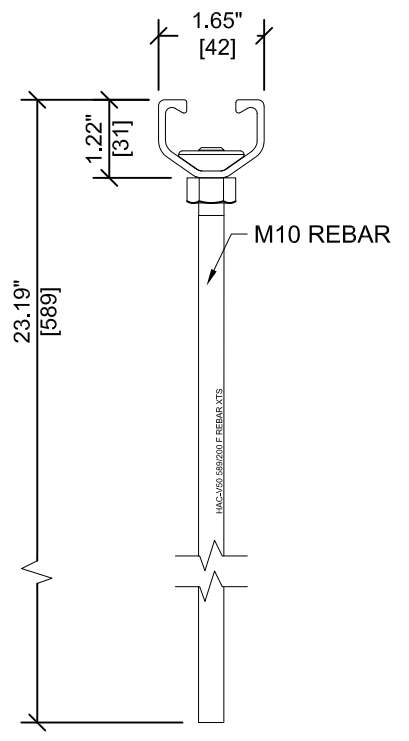


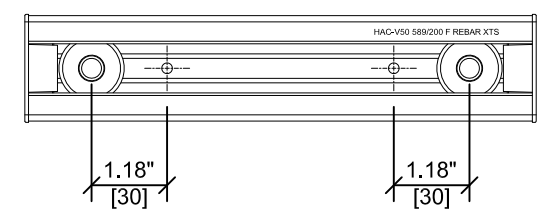
ITEM	DESCRIPTION	QUANTITY
1	CHANNEL PROFILE	1
2	RIVET CONNECTION	2
3	M10 REBAR	2
4	END CAP	2
5	TEAR OUT BAND	1
6	FILLER FOAM	1



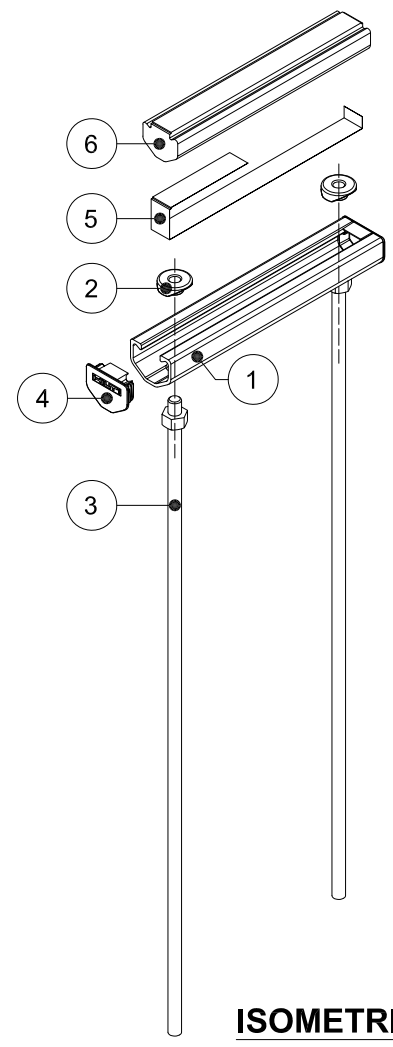
ELEVATION VIEW



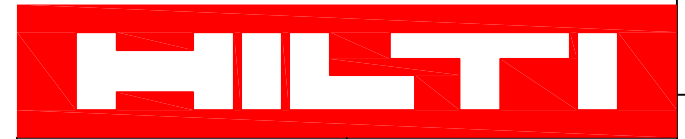
SECTION A-A'



PLAN VIEW



ISOMETRIC VIEW

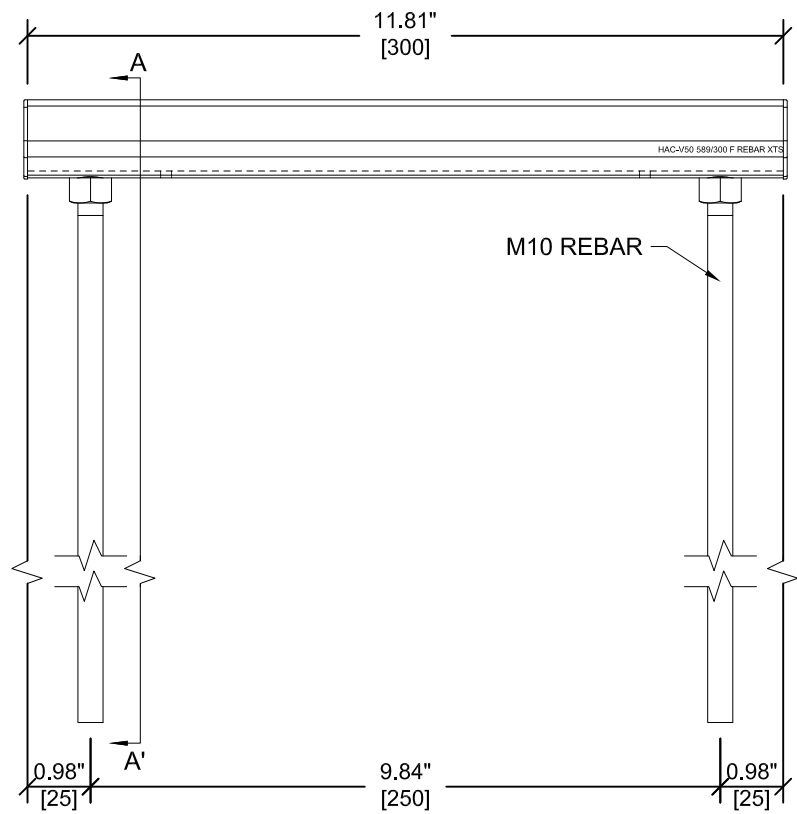


ITEM NUMBER: 2353752	CHANNEL LIP: SMOOTH
--------------------------------	-------------------------------

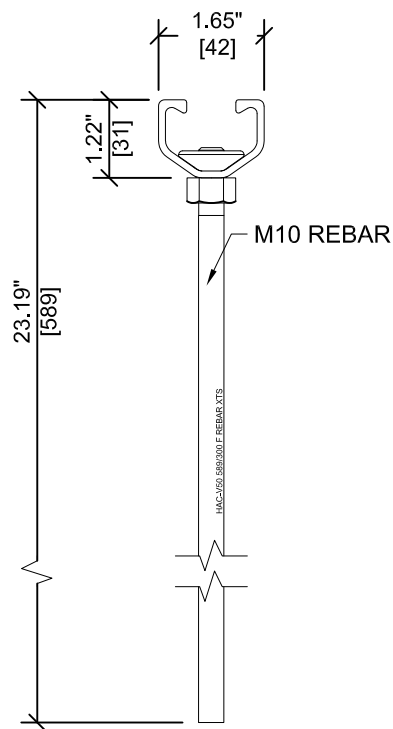
ITEM DESCRIPTION:
HAC-V 50 589/200 F Rebar XTS



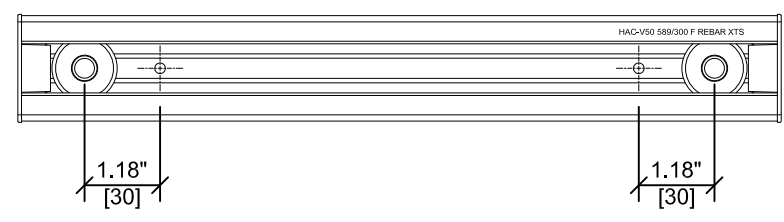
ITEM	DESCRIPTION	QUANTITY
1	CHANNEL PROFILE	1
2	RIVET CONNECTION	2
3	M10 REBAR	2
4	END CAP	2
5	TEAR OUT BAND	1
6	FILLER FOAM	1



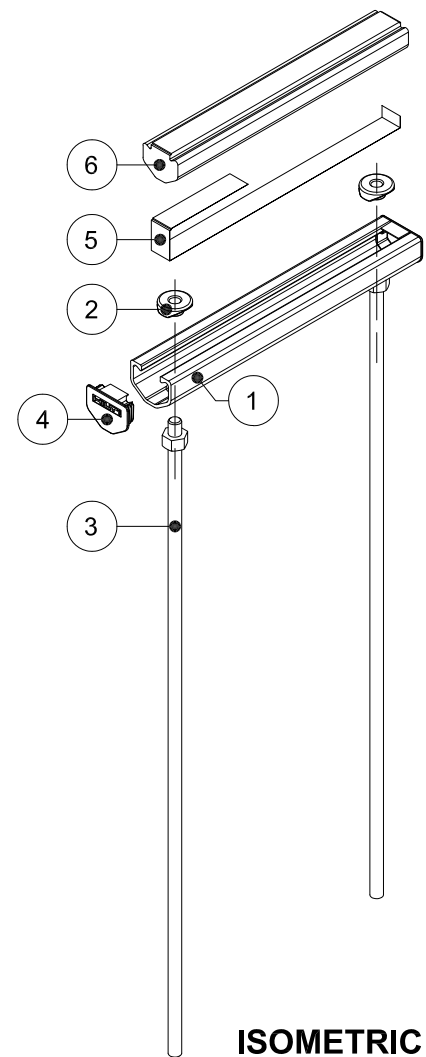
ELEVATION VIEW



SECTION A-A'



PLAN VIEW



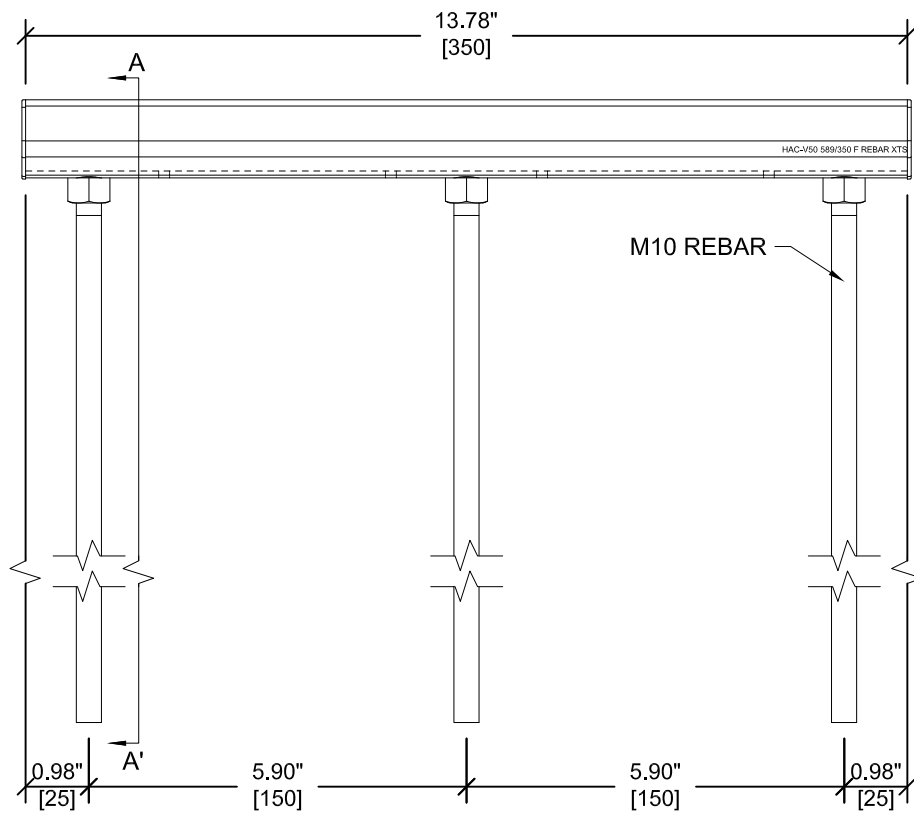
ISOMETRIC VIEW



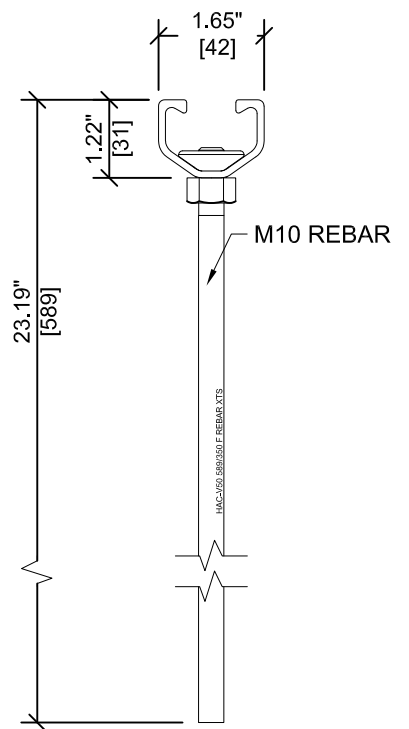
HILTI

ITEM NUMBER: <div style="font-size: 18px; font-weight: bold; text-align: center;">2353753</div>	CHANNEL LIP: <div style="font-size: 18px; font-weight: bold; text-align: center;">SMOOTH</div> <div style="text-align: right; margin-top: 5px;"> </div>
ITEM DESCRIPTION: <div style="font-size: 16px; font-weight: bold; text-align: center;">HAC-V 50 589/300 F Rebar XTS</div>	

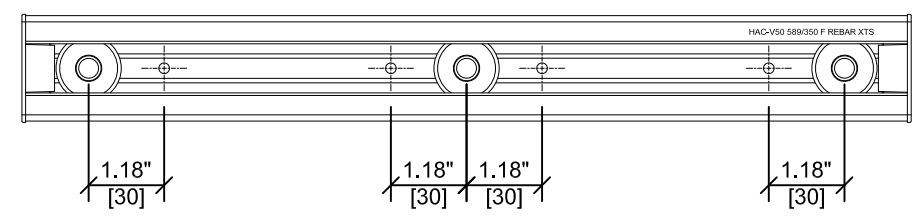
ITEM	DESCRIPTION	QUANTITY
1	CHANNEL PROFILE	1
2	RIVET CONNECTION	3
3	M10 REBAR	3
4	END CAP	2
5	TEAR OUT BAND	1
6	FILLER FOAM	1



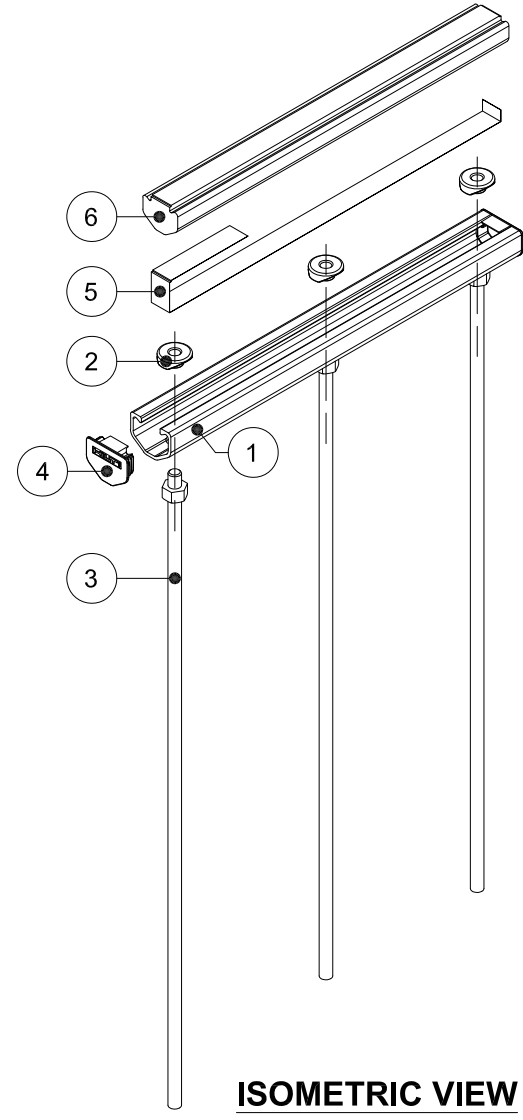
ELEVATION VIEW



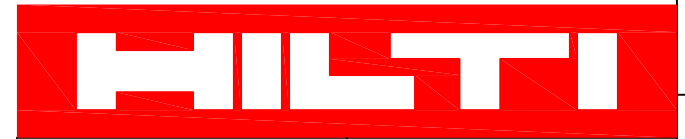
SECTION A-A'



PLAN VIEW



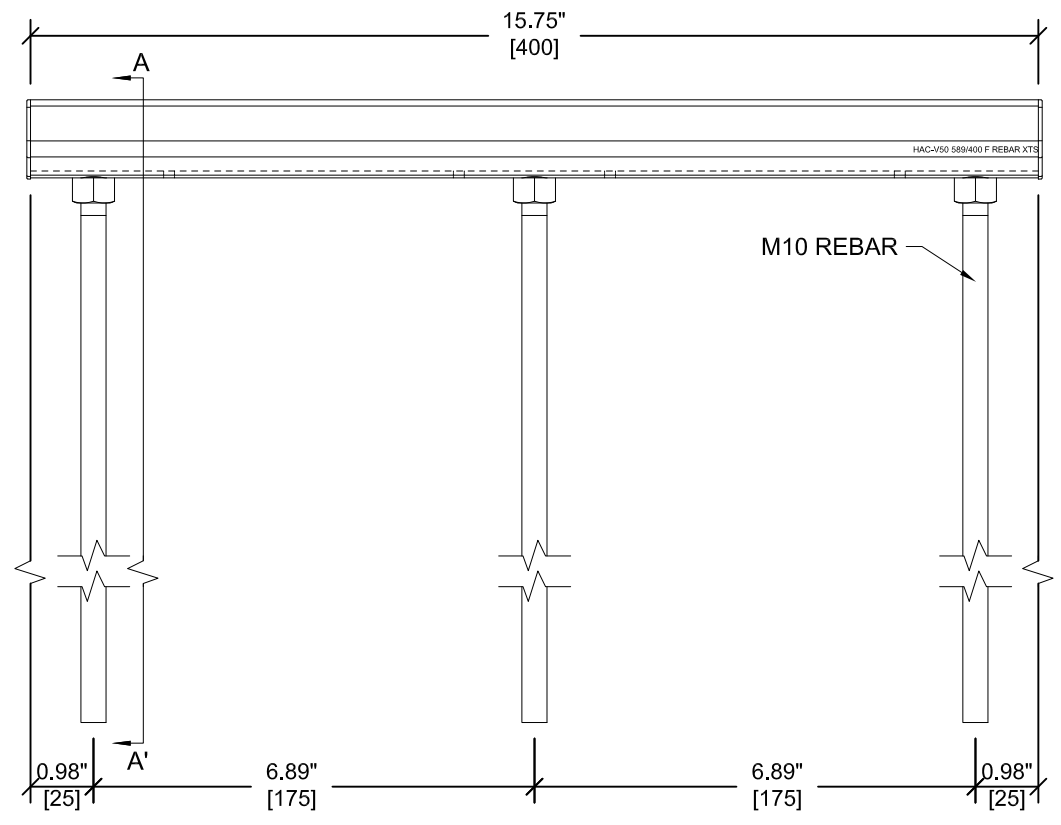
ISOMETRIC VIEW



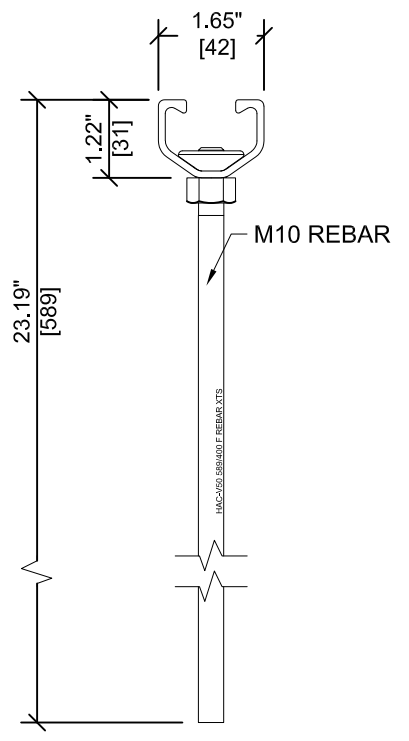
ITEM NUMBER: 2353754	CHANNEL LIP: SMOOTH
--------------------------------	-------------------------------

ITEM DESCRIPTION:
HAC-V 50 589/350 F Rebar XTS

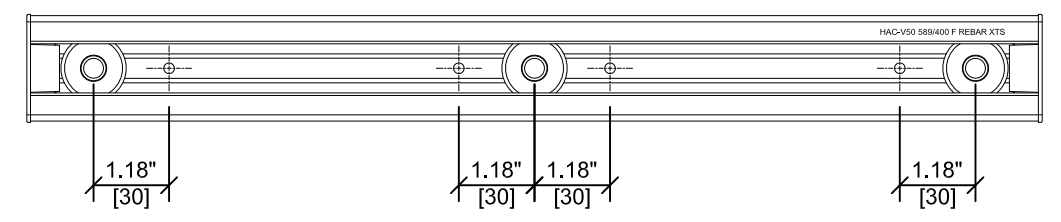
ITEM	DESCRIPTION	QUANTITY
1	CHANNEL PROFILE	1
2	RIVET CONNECTION	3
3	M10 REBAR	3
4	END CAP	2
5	TEAR OUT BAND	1
6	FILLER FOAM	1



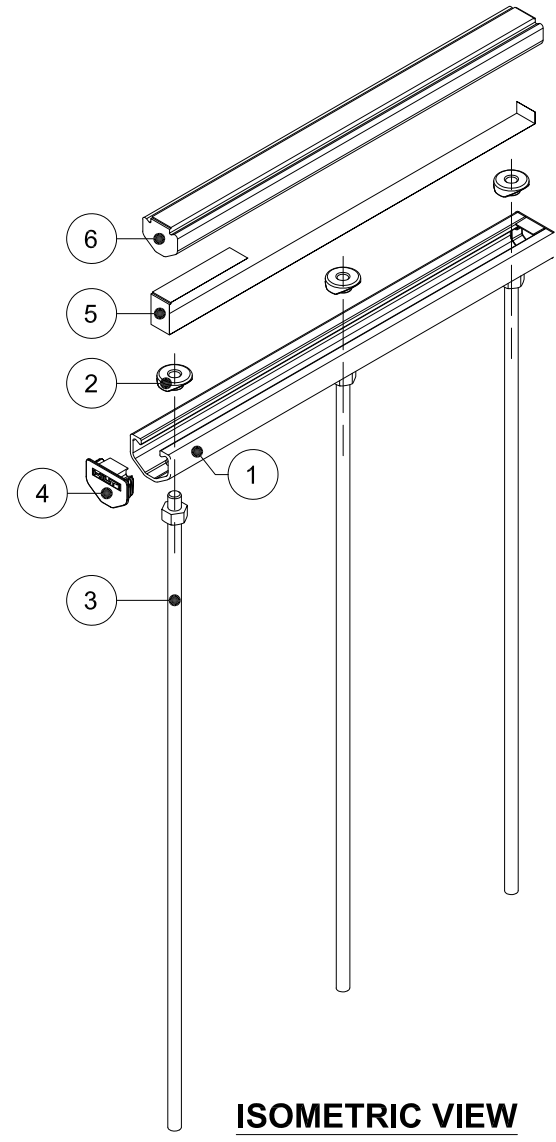
ELEVATION VIEW



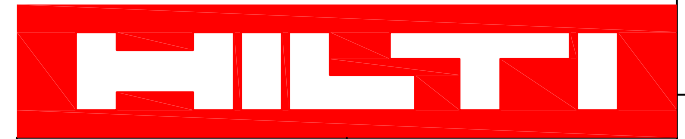
SECTION A-A'



PLAN VIEW



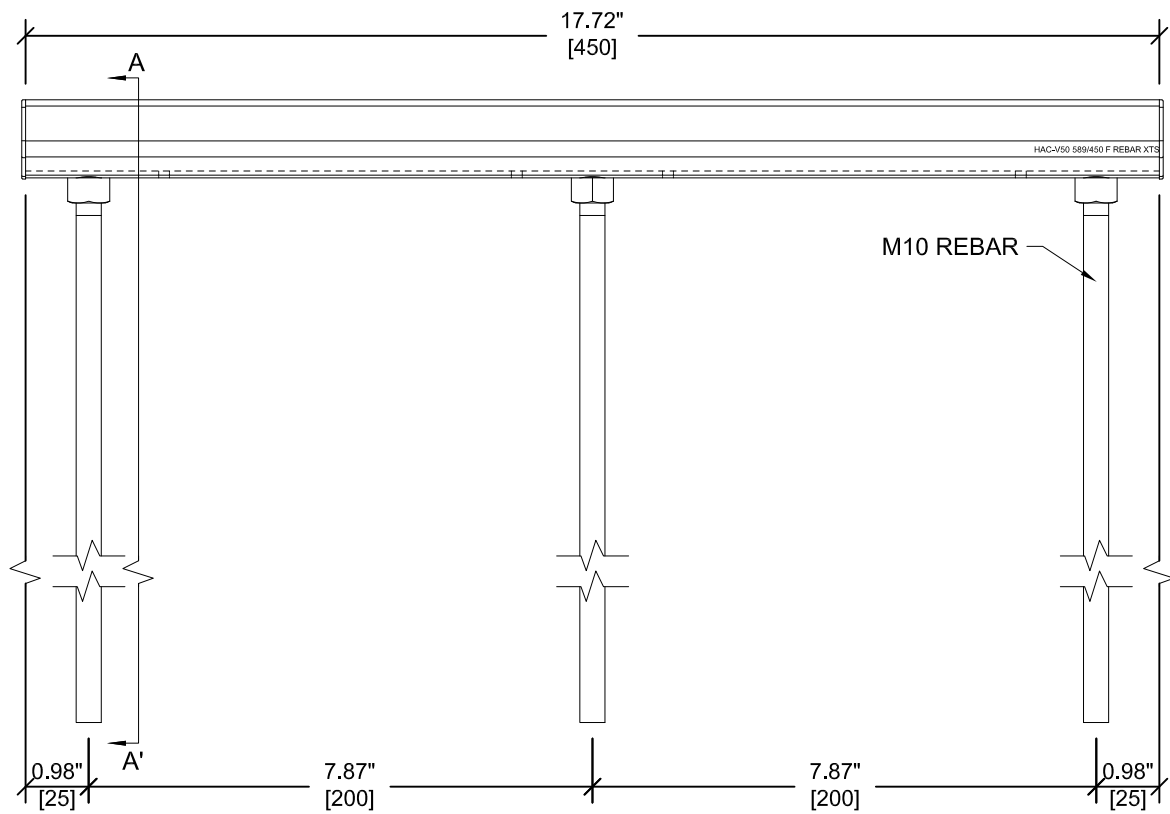
ISOMETRIC VIEW



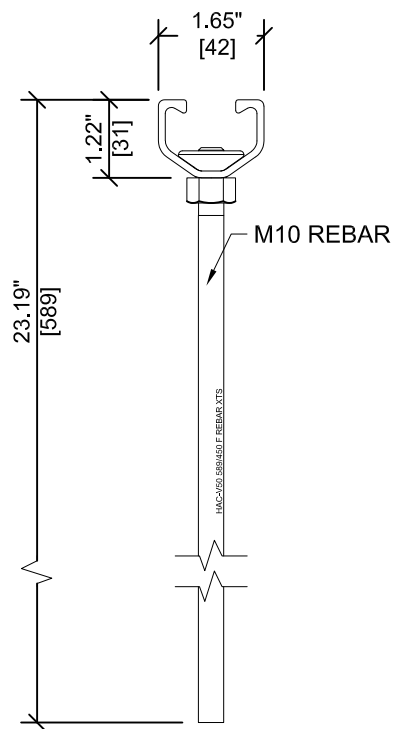
ITEM NUMBER: 2353755	CHANNEL LIP: SMOOTH
--------------------------------	-------------------------------

ITEM DESCRIPTION:
HAC-V 50 589/400 F Rebar XTS

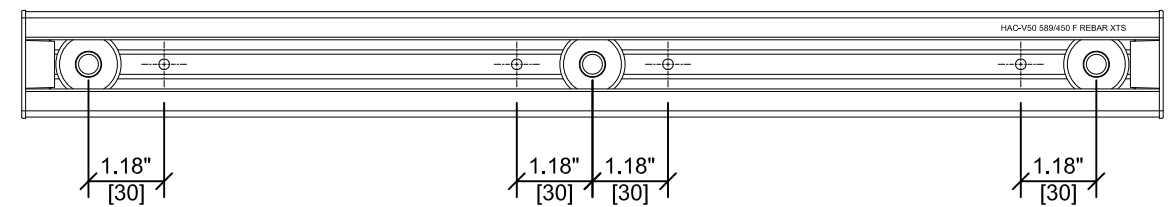
ITEM	DESCRIPTION	QUANTITY
1	CHANNEL PROFILE	1
2	RIVET CONNECTION	3
3	M10 REBAR	3
4	END CAP	2
5	TEAR OUT BAND	1
6	FILLER FOAM	1



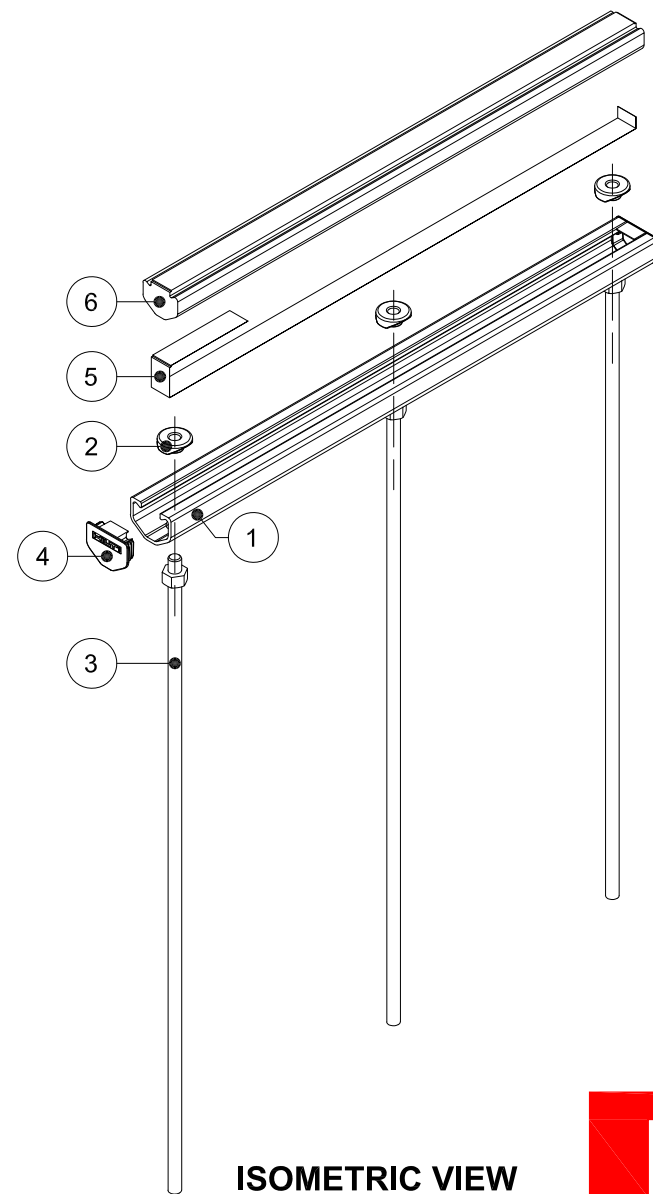
ELEVATION VIEW



SECTION A-A'



PLAN VIEW



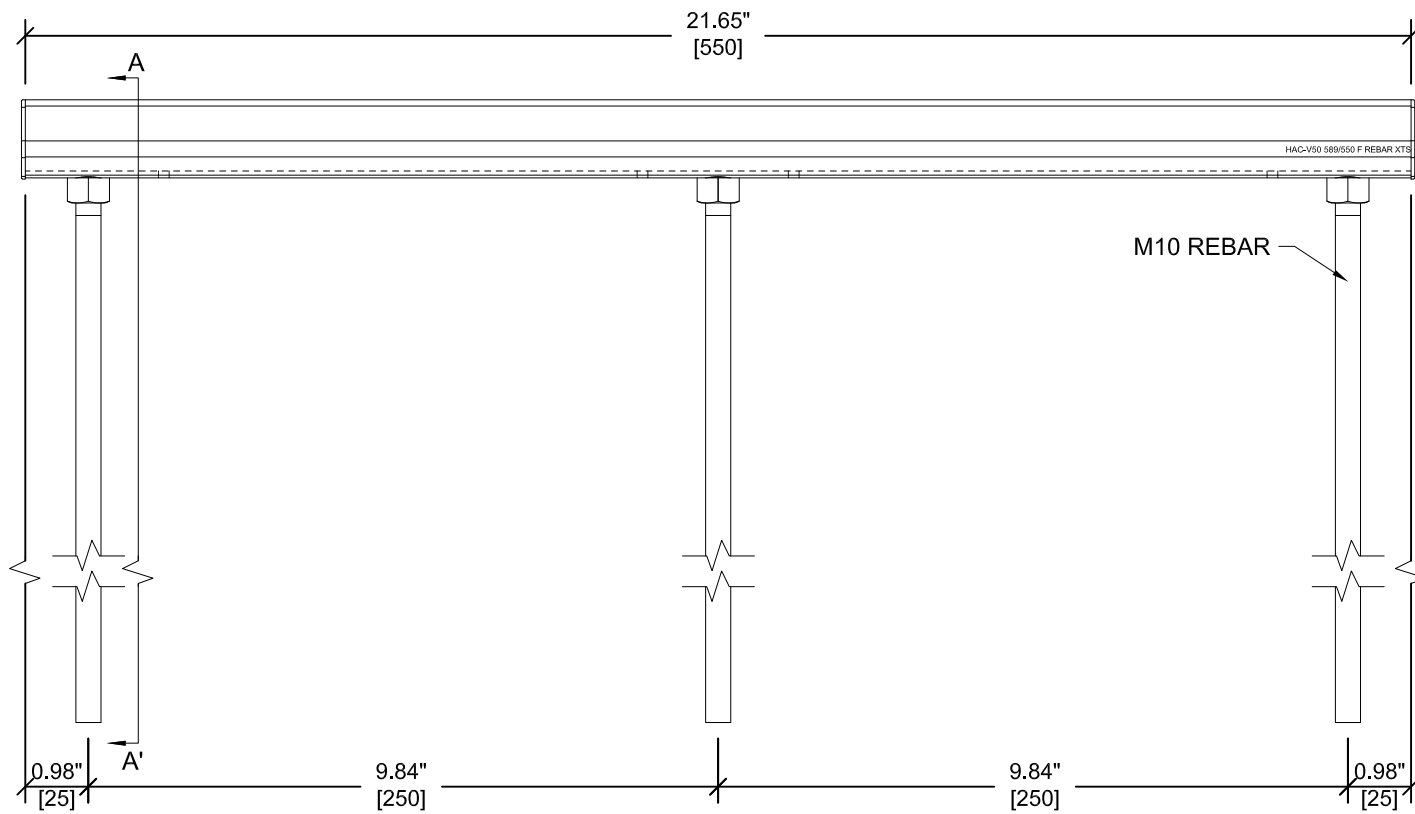
ISOMETRIC VIEW



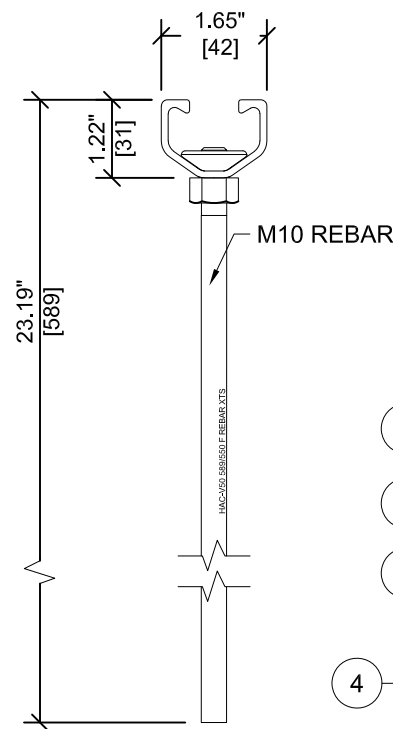
HILTI

ITEM NUMBER: <div style="font-size: 1.2em; font-weight: bold;">2353756</div>	CHANNEL LIP: <div style="font-size: 1.2em; font-weight: bold;">SMOOTH</div>
ITEM DESCRIPTION: <div style="font-weight: bold;">HAC-V 50 589/450 F Rebar XTS</div>	

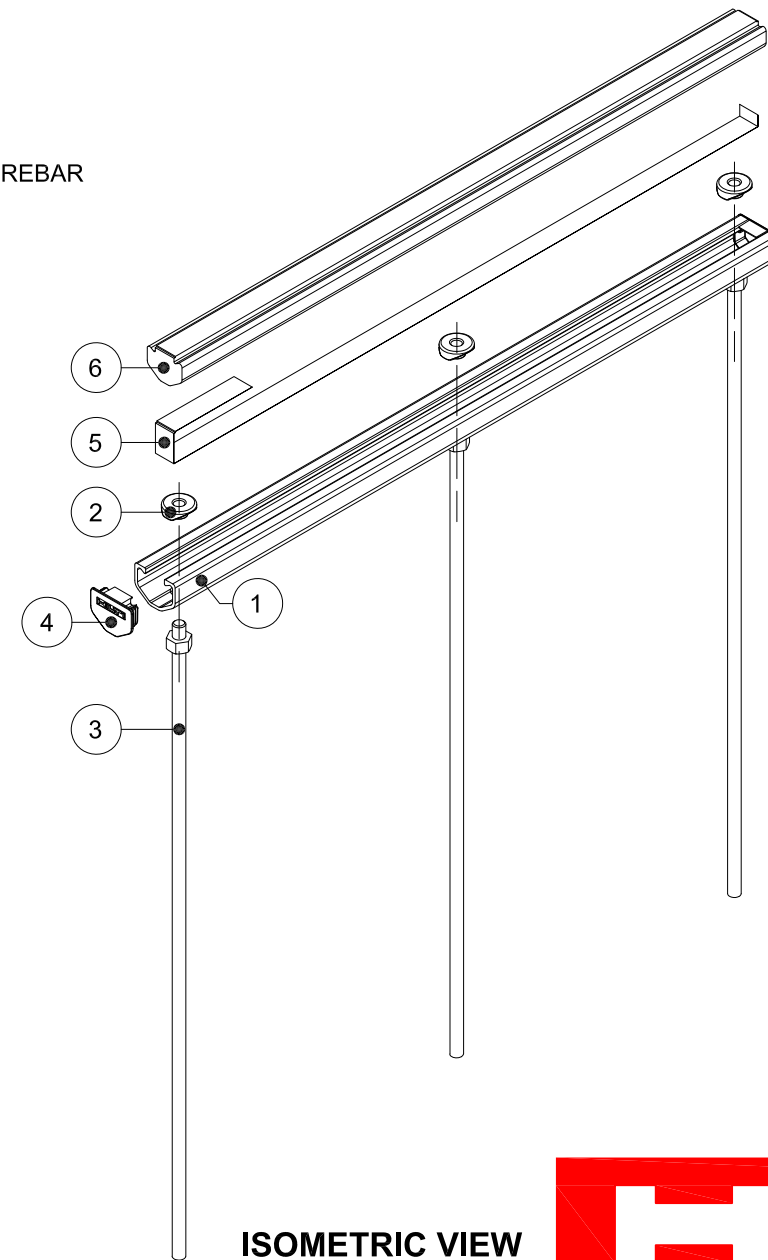
ITEM	DESCRIPTION	QUANTITY
1	CHANNEL PROFILE	1
2	RIVET CONNECTION	3
3	M10 REBAR	3
4	END CAP	2
5	TEAR OUT BAND	1
6	FILLER FOAM	1



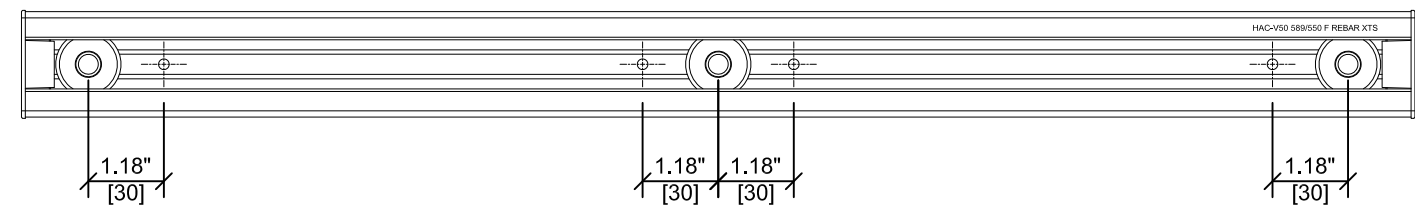
ELEVATION VIEW



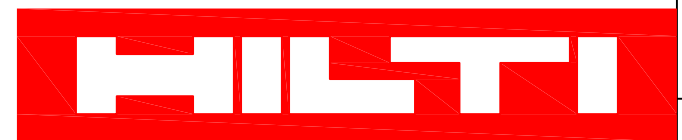
SECTION A-A'



ISOMETRIC VIEW



PLAN VIEW

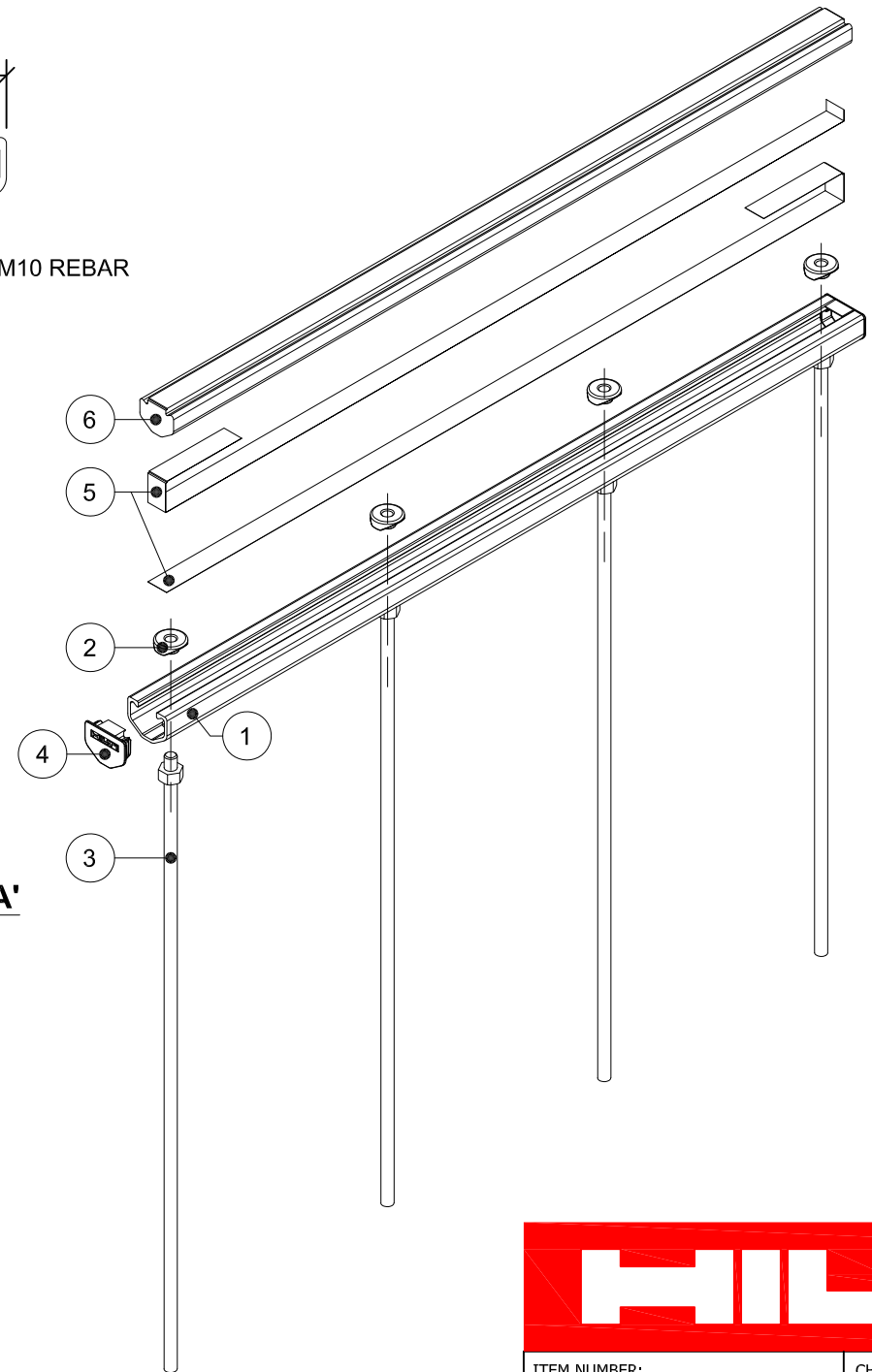
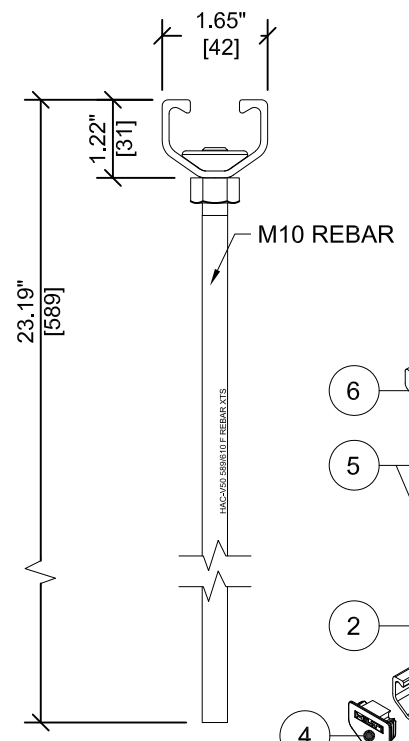
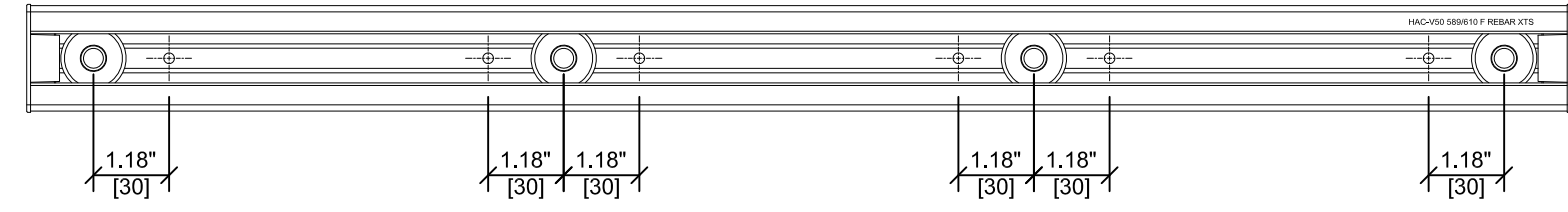
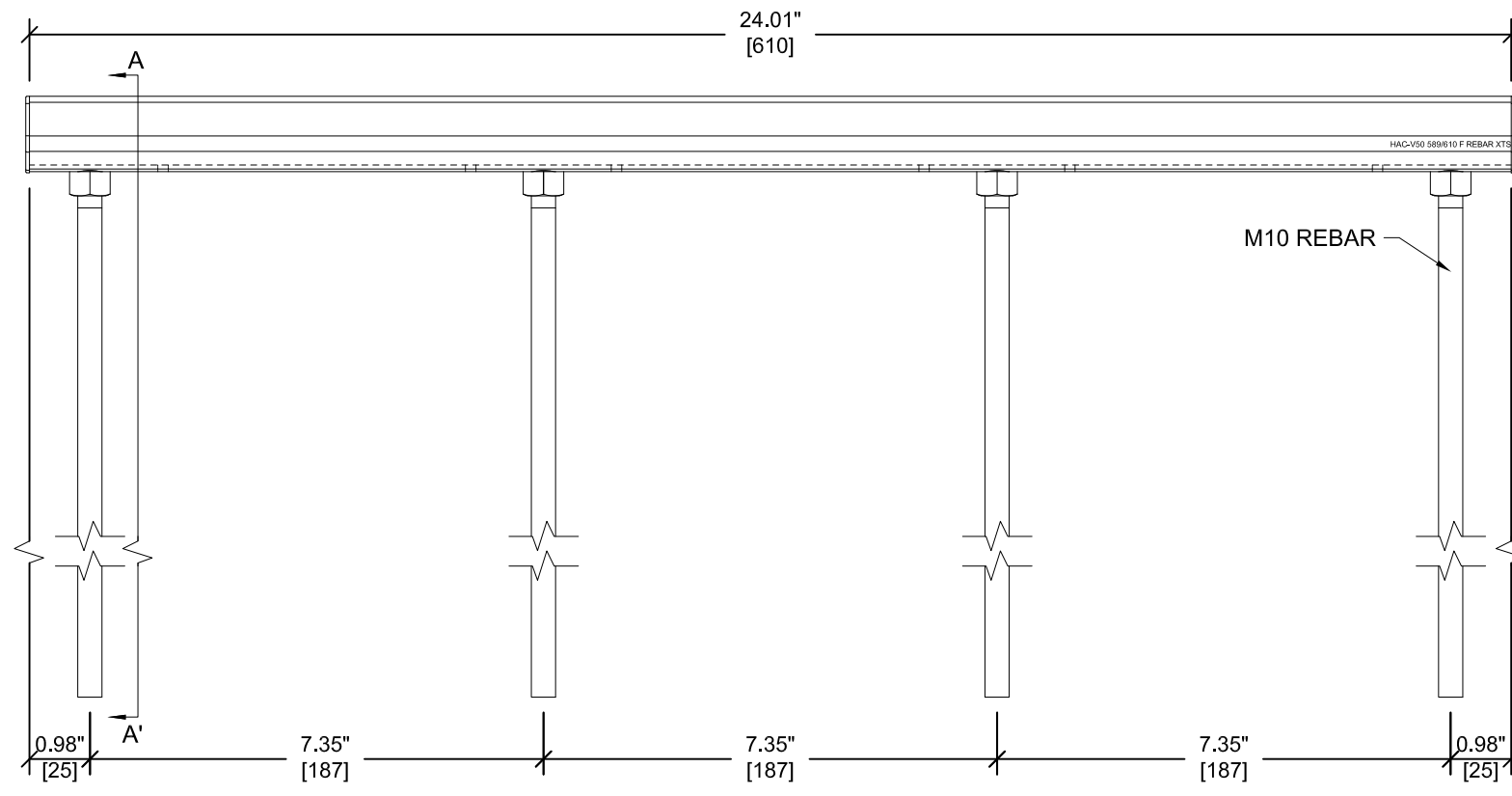


ITEM NUMBER: 2353757	CHANNEL LIP: SMOOTH
--------------------------------	-------------------------------

ITEM DESCRIPTION: HAC-V 50 589/550 F Rebar XTS
--



ITEM	DESCRIPTION	QUANTITY
1	CHANNEL PROFILE	1
2	RIVET CONNECTION	4
3	M10 REBAR	4
4	END CAP	2
5	TEAR OUT BAND	2
6	FILLER FOAM	1

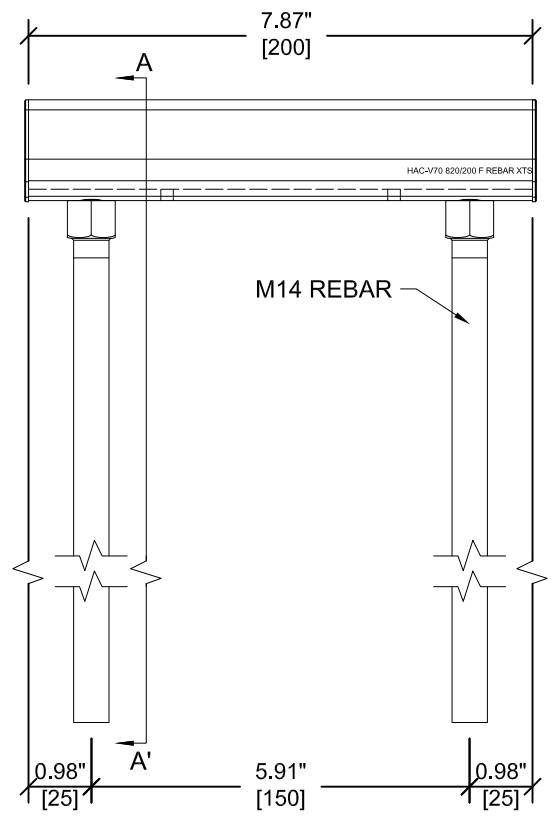


HILTI

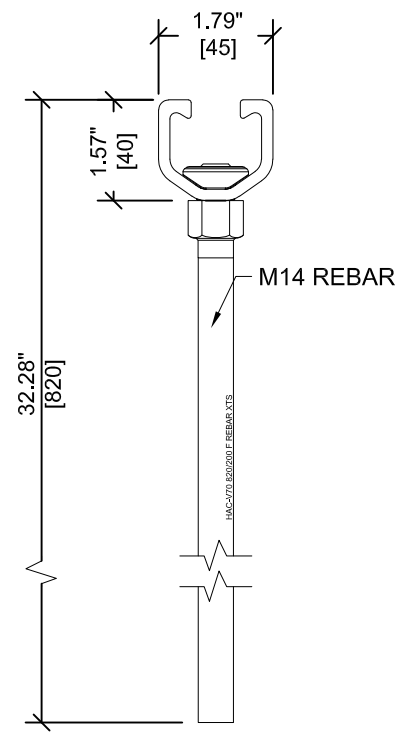
ITEM NUMBER: <div style="font-size: 18px; font-weight: bold;">2353758</div>	CHANNEL LIP: <div style="font-size: 18px; font-weight: bold;">SMOOTH</div>
ITEM DESCRIPTION: <div style="font-size: 16px; font-weight: bold;">HAC-V 50 589/610 F Rebar XTS</div>	



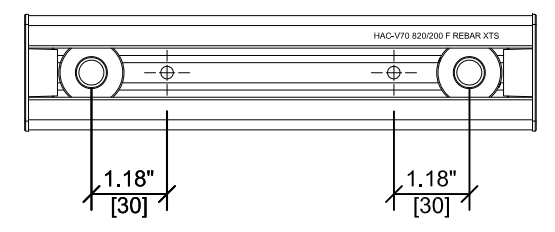
ITEM	DESCRIPTION	QUANTITY
1	CHANNEL PROFILE	1
2	RIVET CONNECTION	2
3	M14 REBAR	2
4	END CAP	2
5	TEAR OUT BAND	1
6	FILLER FOAM	1



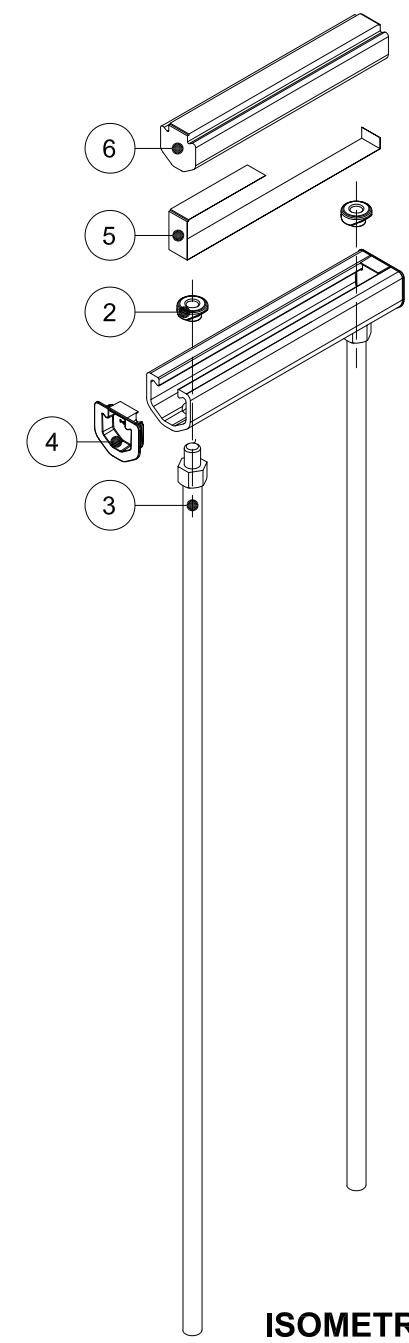
ELEVATION VIEW



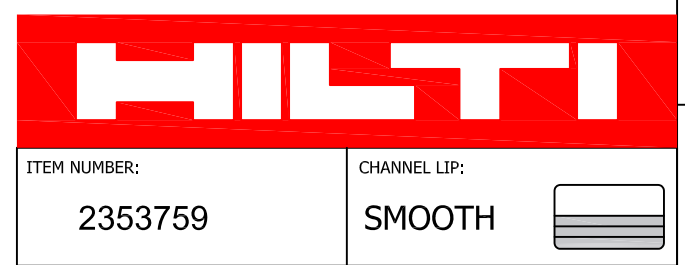
SECTION A-A'



PLAN VIEW



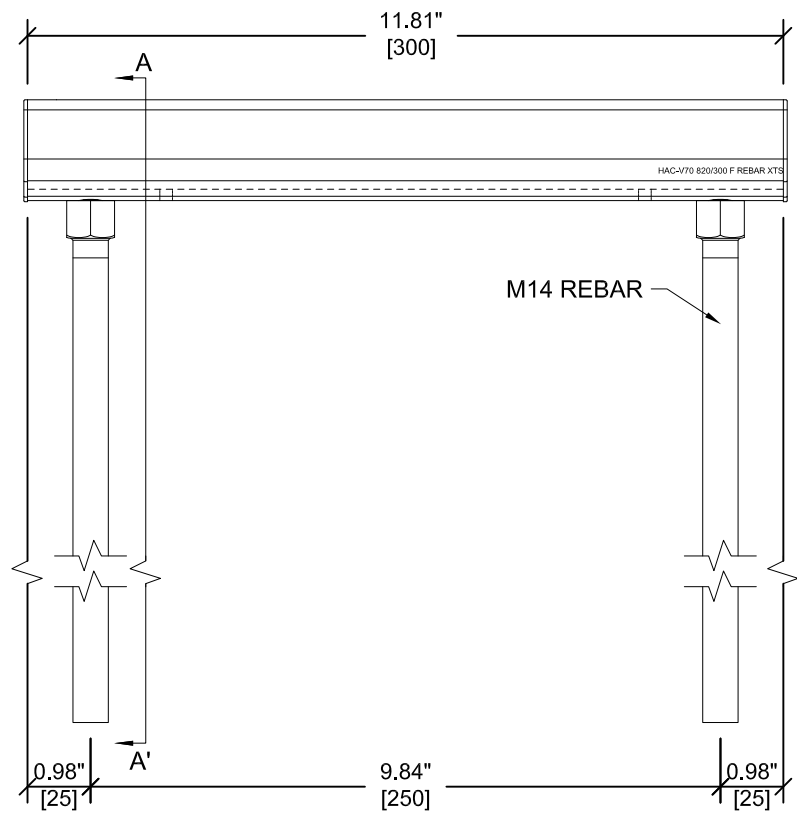
ISOMETRIC VIEW



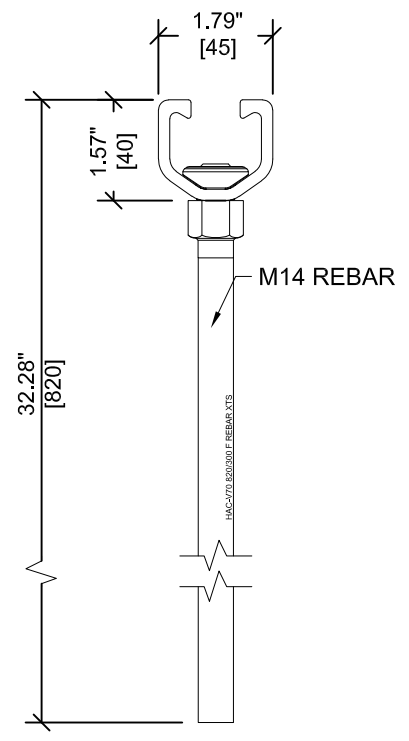
ITEM NUMBER: 2353759	CHANNEL LIP: SMOOTH
--------------------------------	-------------------------------

ITEM DESCRIPTION:
HAC-V 70 820/200 F Rebar XTS

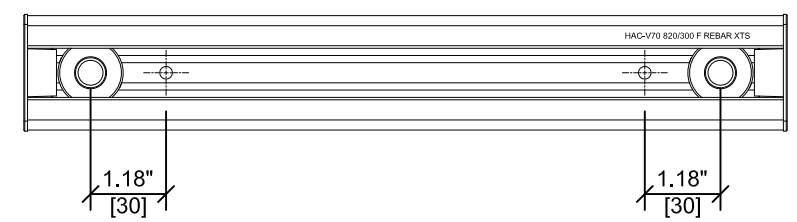
ITEM	DESCRIPTION	QUANTITY
1	CHANNEL PROFILE	1
2	RIVET CONNECTION	2
3	M14 REBAR	2
4	END CAP	2
5	TEAR OUT BAND	1
6	FILLER FOAM	1



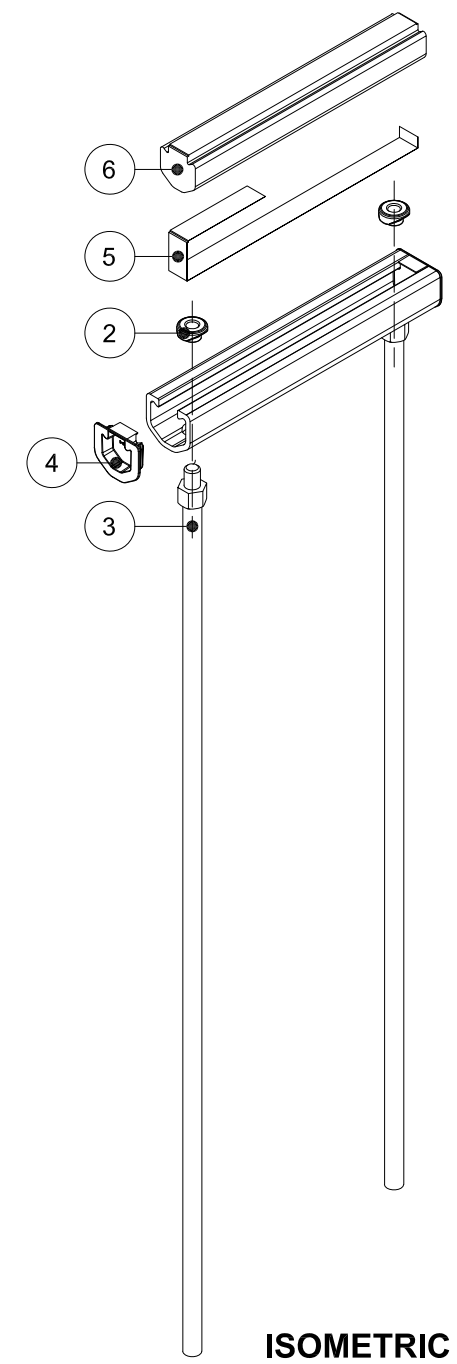
ELEVATION VIEW



SECTION A-A'



PLAN VIEW



ISOMETRIC VIEW



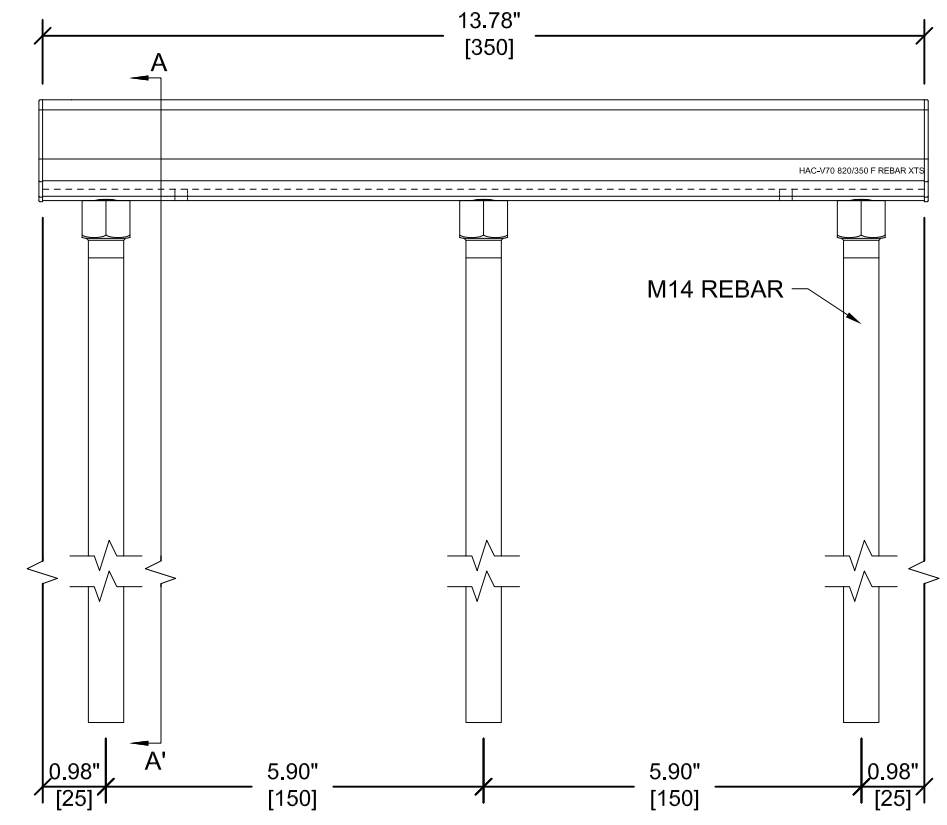
HILTI

ITEM NUMBER: <div style="font-size: 18px; font-weight: bold; text-align: center;">2353760</div>	CHANNEL LIP: <div style="font-size: 18px; font-weight: bold; text-align: center;">SMOOTH</div> <div style="text-align: right; margin-top: 5px;"> </div>
ITEM DESCRIPTION: <div style="font-size: 16px; font-weight: bold; text-align: center;">HAC-V 70 820/300 F Rebar XTS</div>	

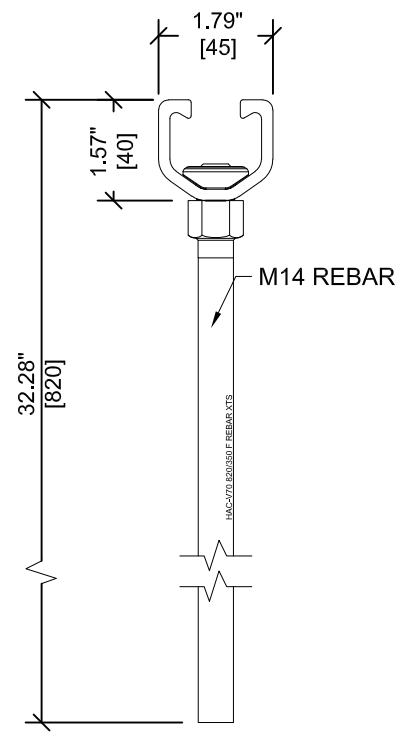
1 2 3 4 5 6 7 8

ITEM	DESCRIPTION	QUANTITY
1	CHANNEL PROFILE	1
2	RIVET CONNECTION	3
3	M14 REBAR	3
4	END CAP	2
5	TEAR OUT BAND	1
6	FILLER FOAM	1

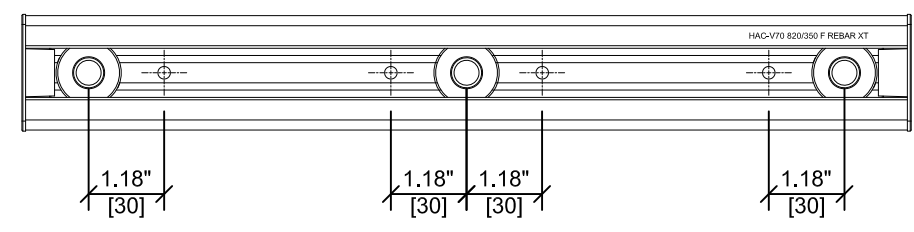
A
B
C
D
E
F



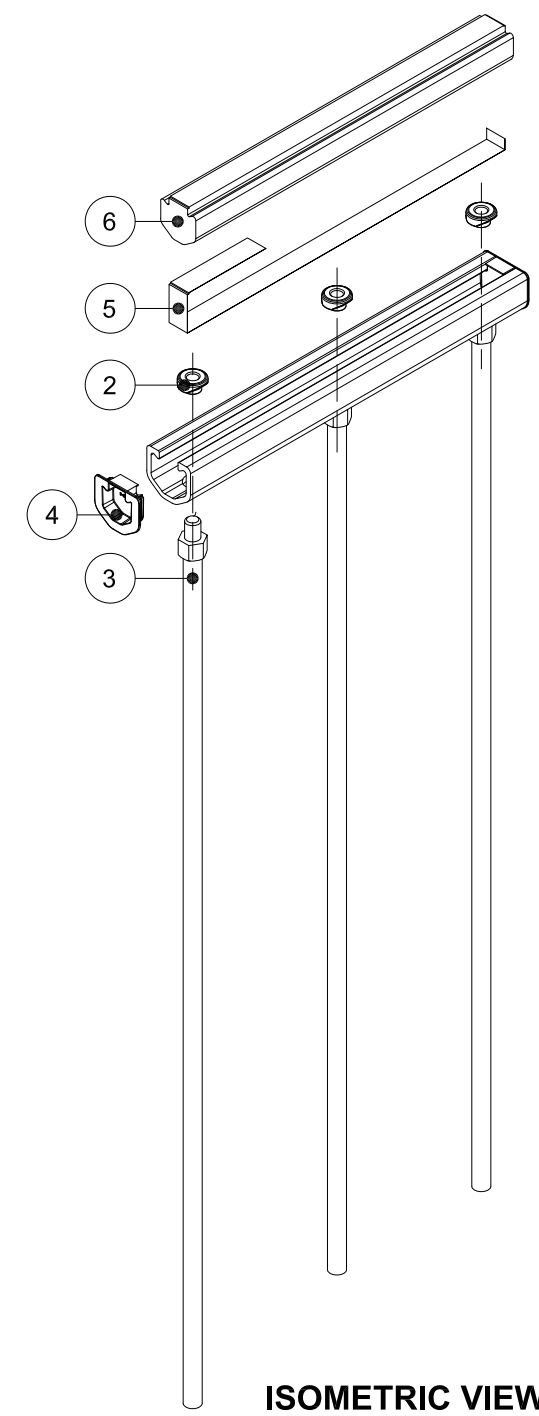
ELEVATION VIEW



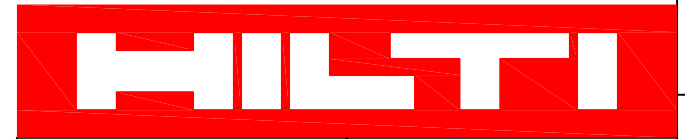
SECTION A-A'



PLAN VIEW



ISOMETRIC VIEW

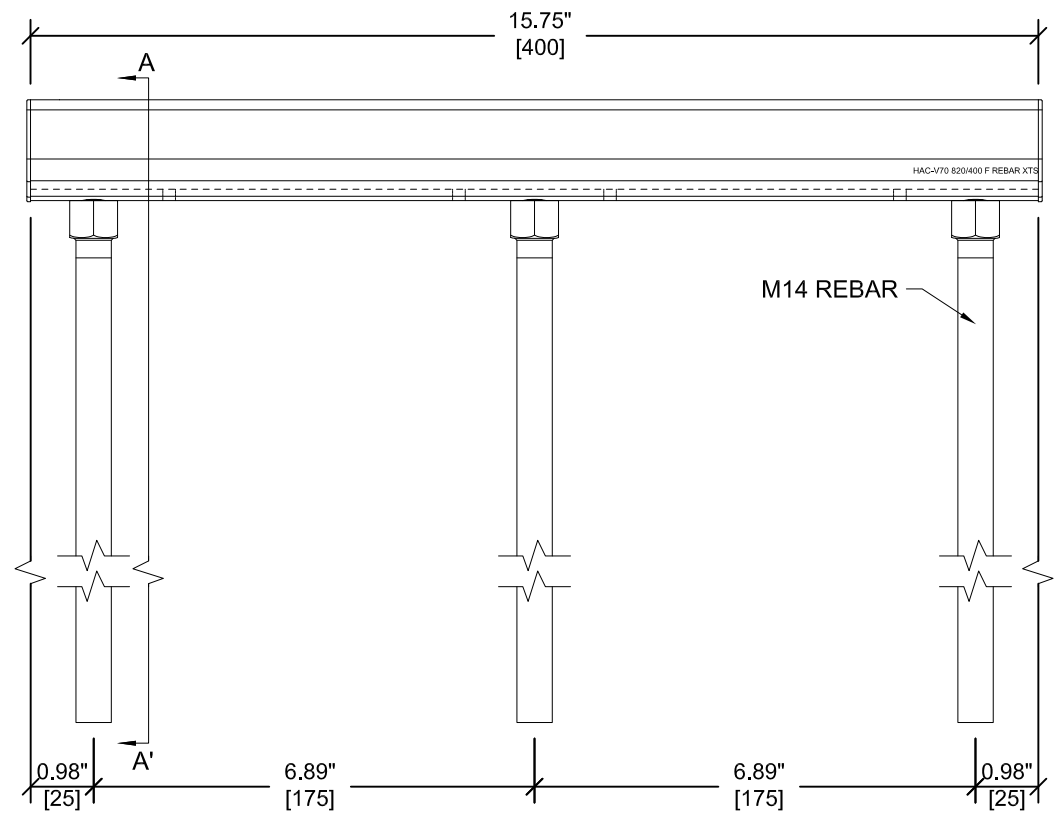


ITEM NUMBER: 2353761	CHANNEL LIP: SMOOTH
--------------------------------	-------------------------------

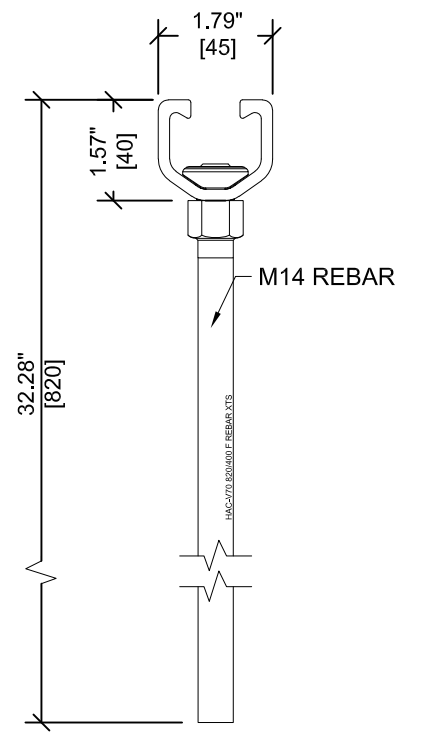
ITEM DESCRIPTION:
HAC-V 70 820/350 F Rebar XTS

1 2 3 4 5 6 7 8

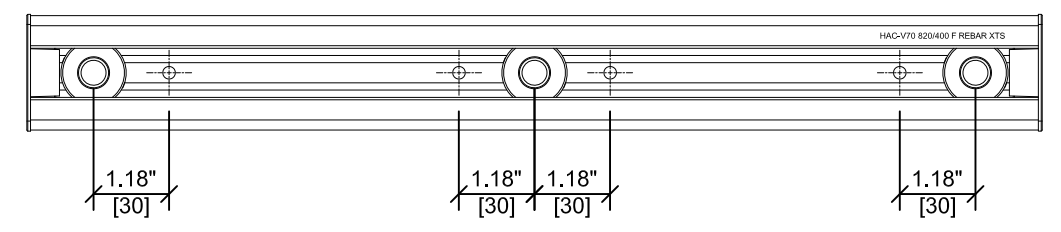
ITEM	DESCRIPTION	QUANTITY
1	CHANNEL PROFILE	1
2	RIVET CONNECTION	3
3	M14 REBAR	3
4	END CAP	2
5	TEAR OUT BAND	1
6	FILLER FOAM	1



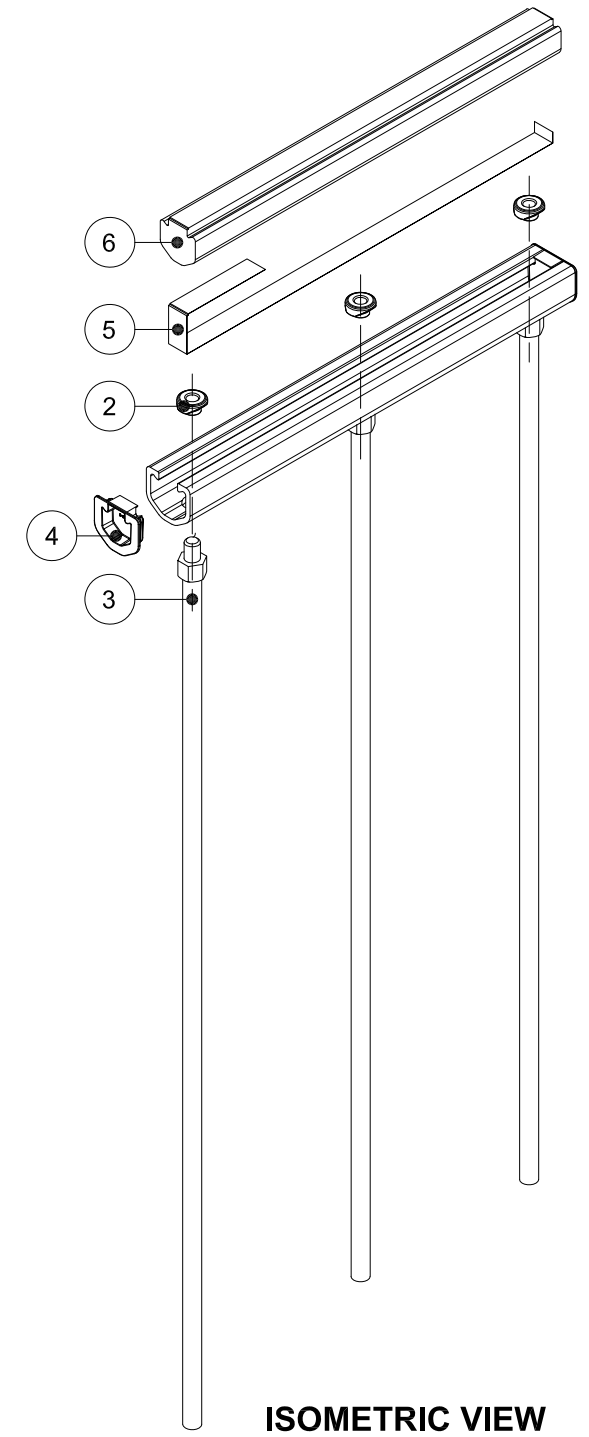
ELEVATION VIEW



SECTION A-A'



PLAN VIEW



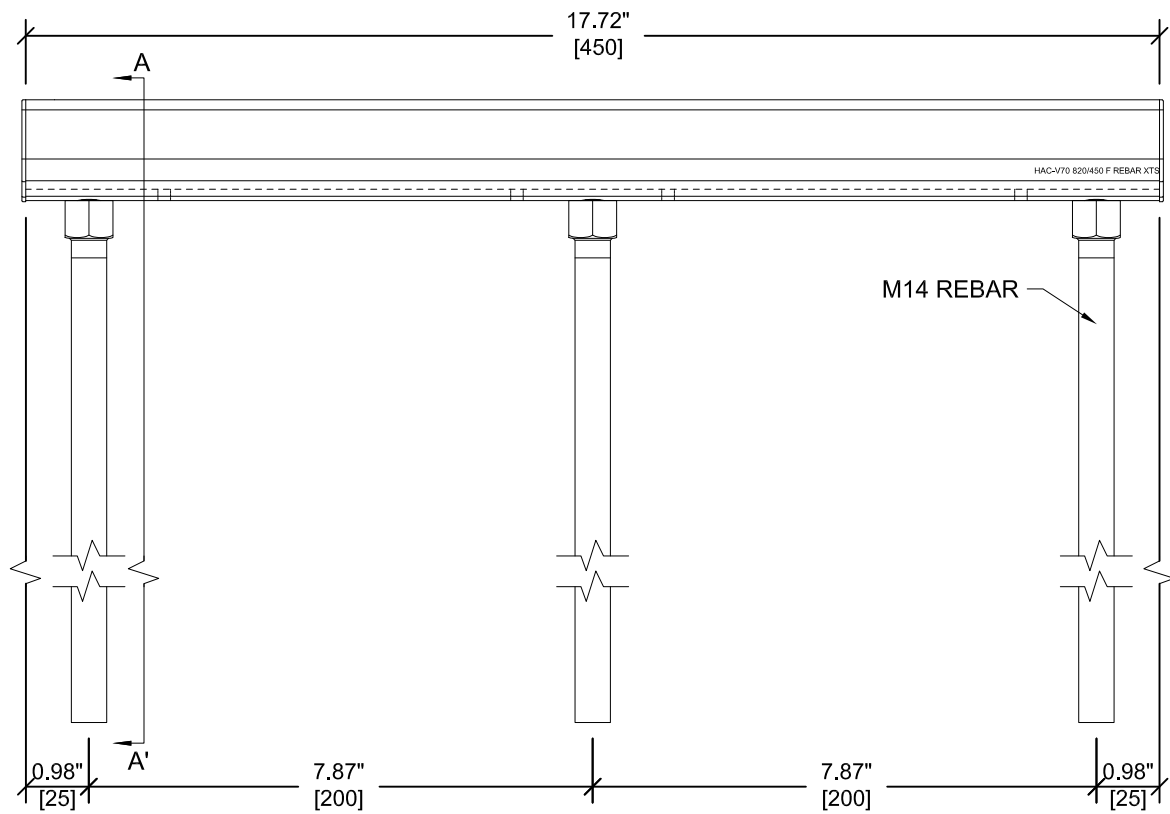
ISOMETRIC VIEW



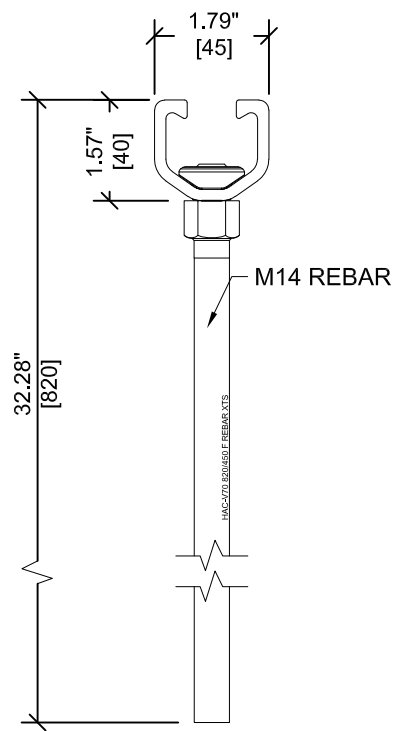
HILTI

ITEM NUMBER: <div style="font-size: 18px; font-weight: bold; text-align: center;">2353762</div>	CHANNEL LIP: <div style="font-size: 18px; font-weight: bold; text-align: center;">SMOOTH</div> <div style="text-align: right; margin-top: 5px;"> </div>
ITEM DESCRIPTION: <div style="font-size: 16px; font-weight: bold; text-align: center;">HAC-V 70 820/400 F Rebar XTS</div>	

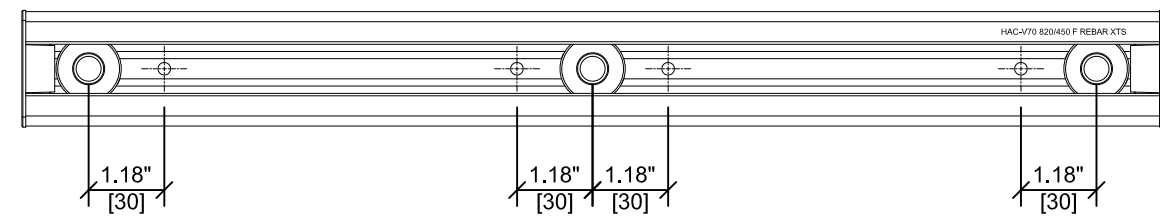
ITEM	DESCRIPTION	QUANTITY
1	CHANNEL PROFILE	1
2	RIVET CONNECTION	3
3	M14 REBAR	3
4	END CAP	2
5	TEAR OUT BAND	1
6	FILLER FOAM	1



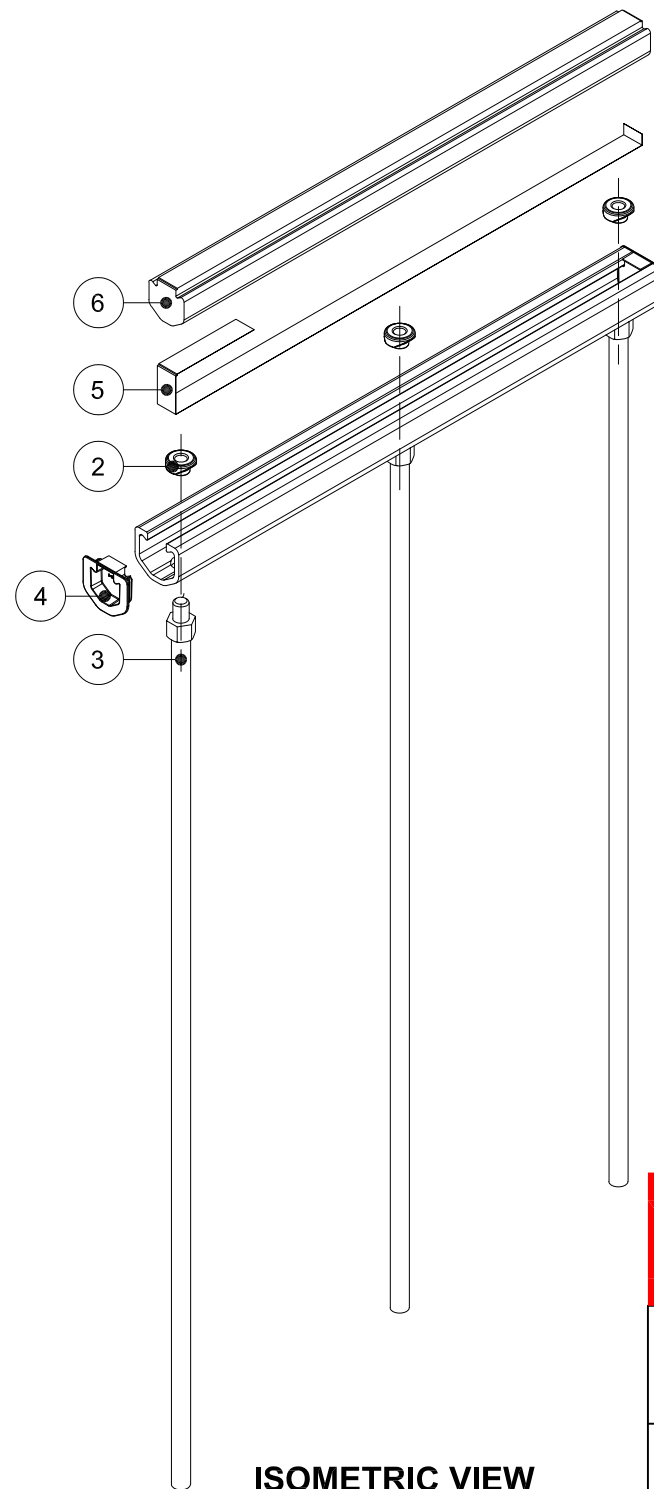
ELEVATION VIEW



SECTION A-A'



PLAN VIEW



ISOMETRIC VIEW



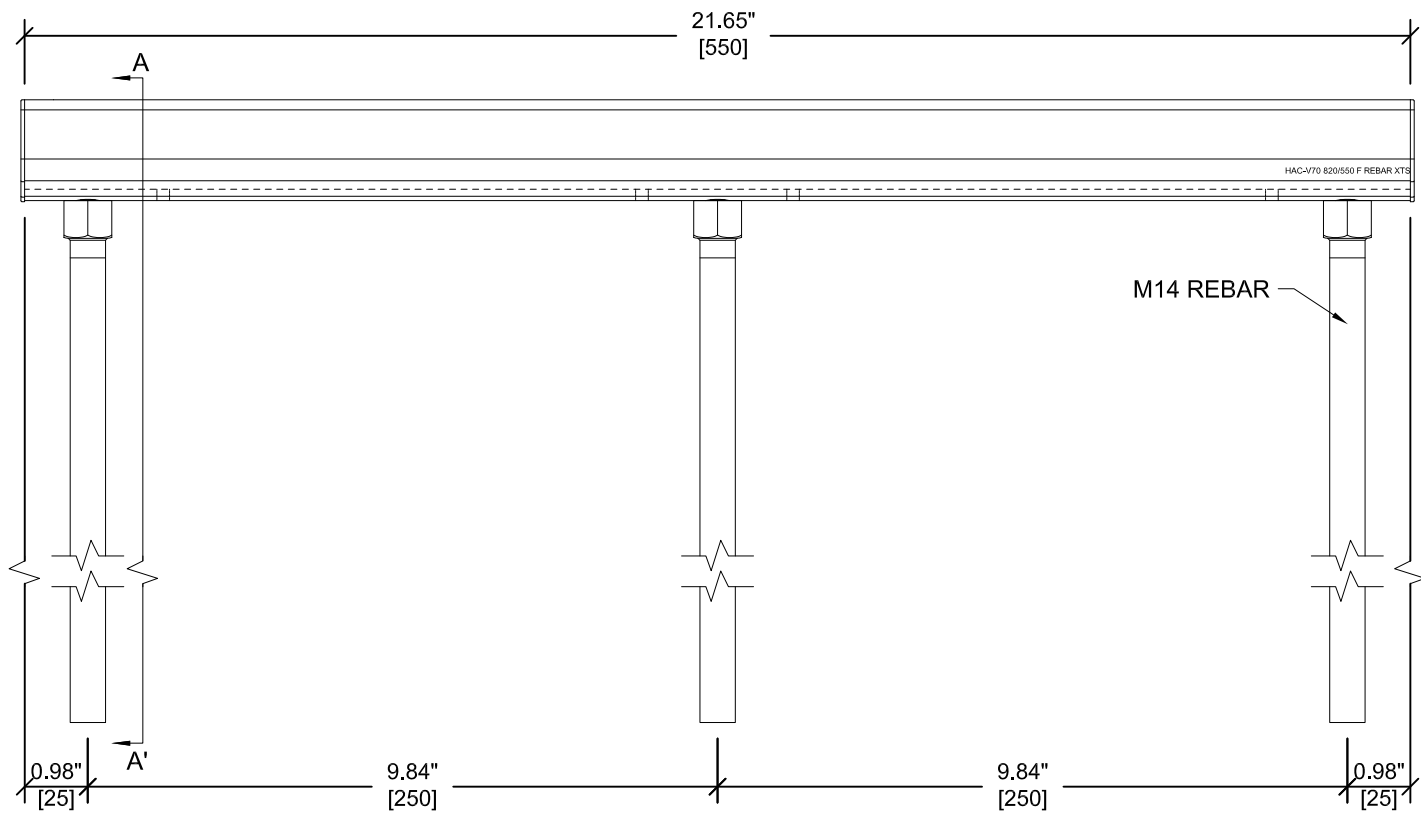
HILTI

ITEM NUMBER: 2353763

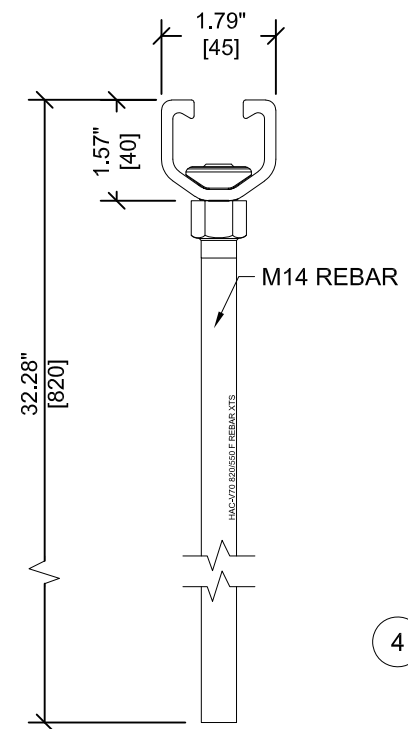
CHANNEL LIP: SMOOTH

ITEM DESCRIPTION: HAC-V 70 820/450 F Rebar XTS

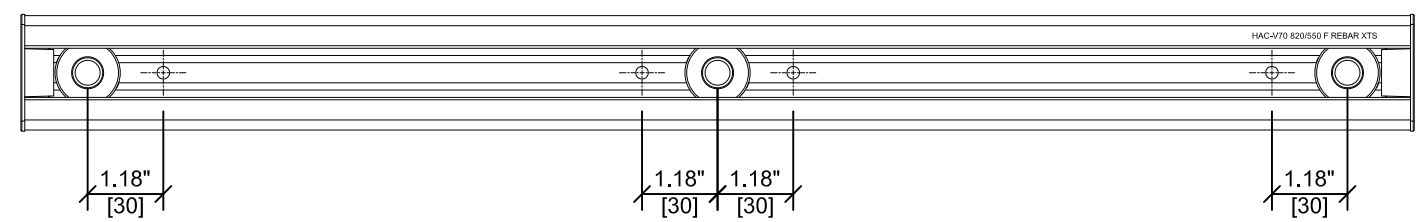
ITEM	DESCRIPTION	QUANTITY
1	CHANNEL PROFILE	1
2	RIVET CONNECTION	3
3	M14 REBAR	3
4	END CAP	2
5	TEAR OUT BAND	1
6	FILLER FOAM	1



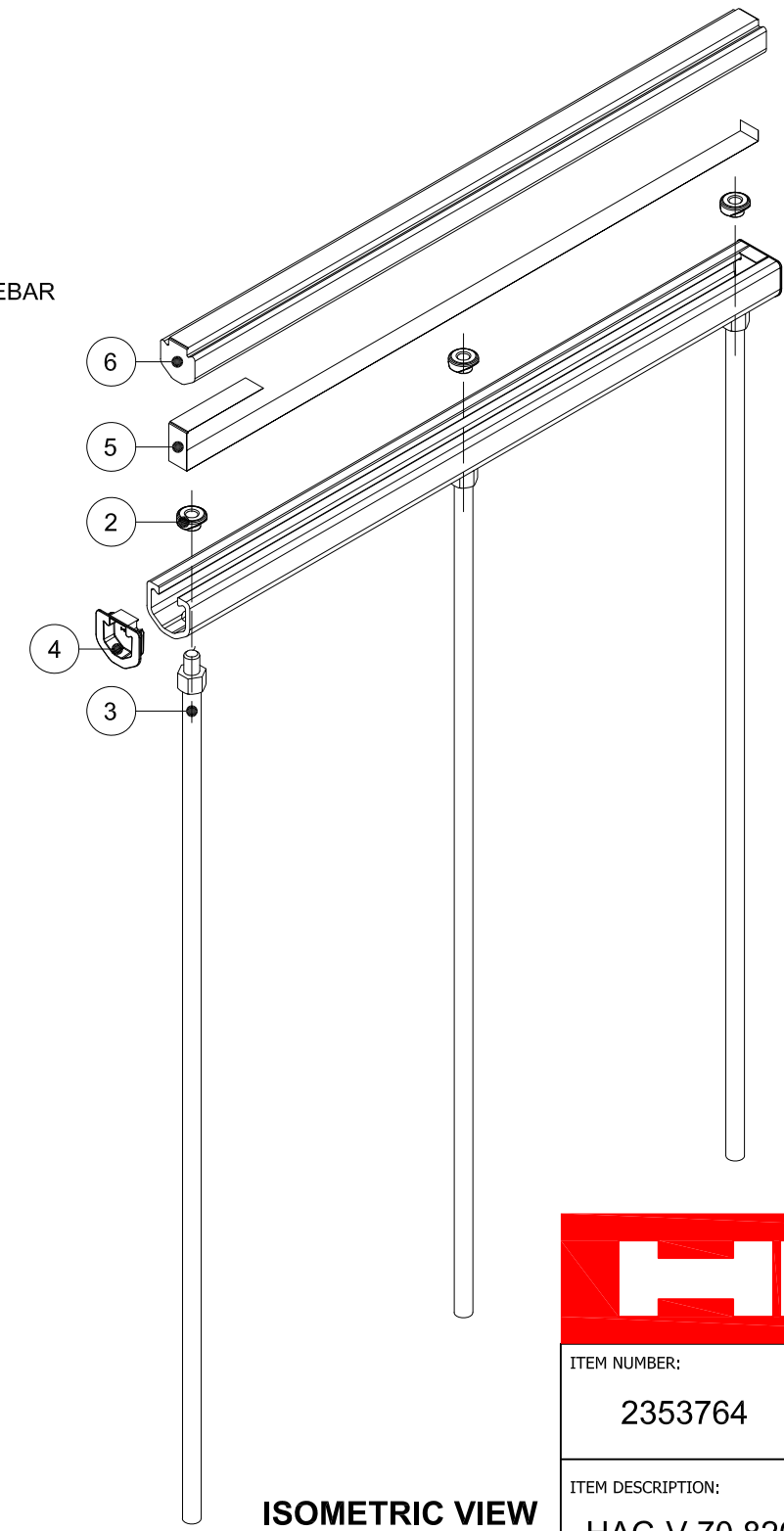
ELEVATION VIEW



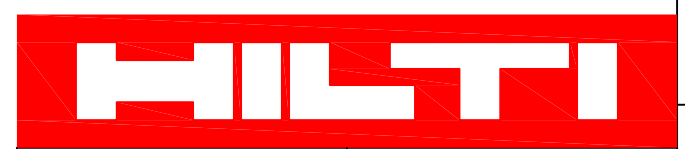
SECTION A-A'



PLAN VIEW

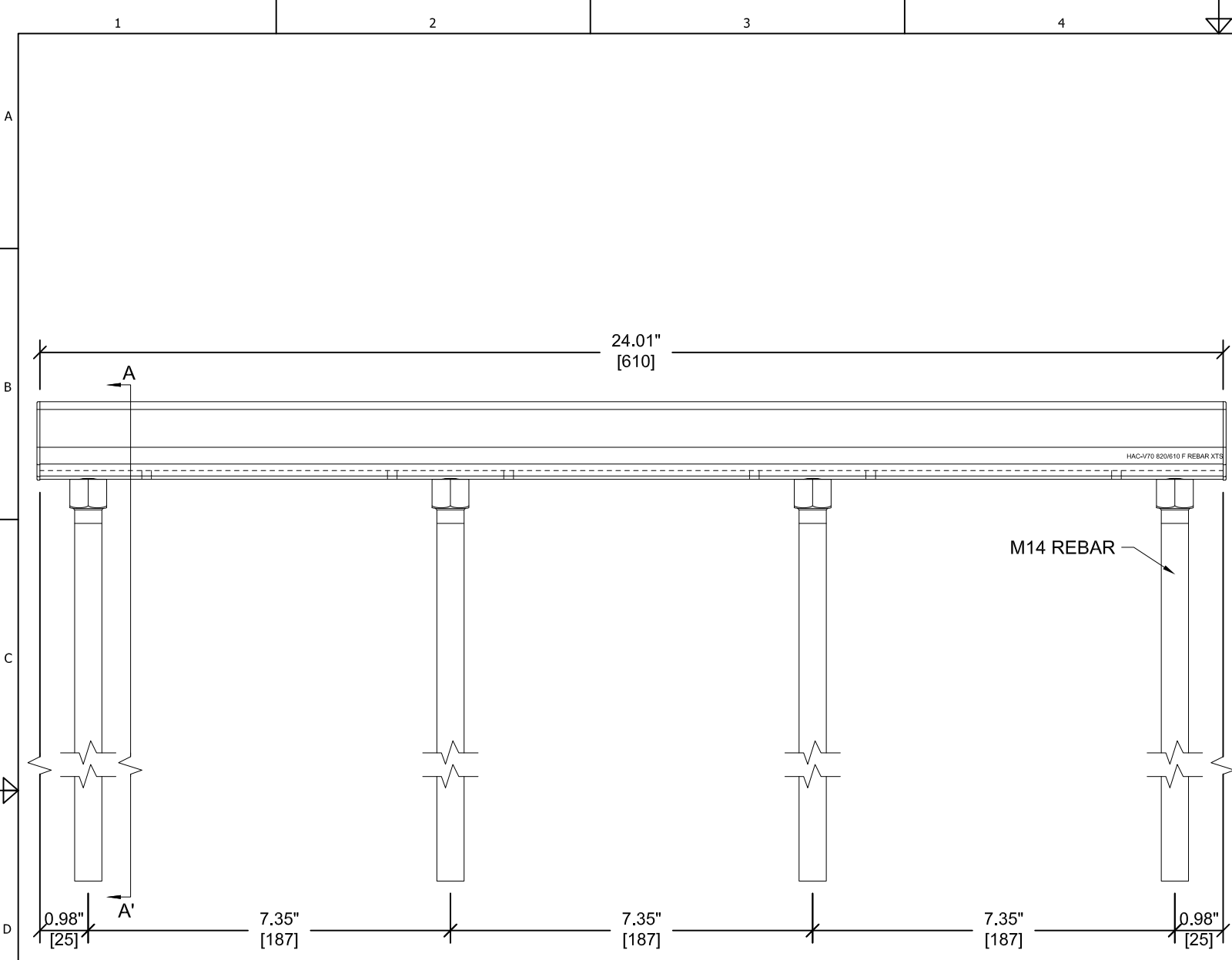


ISOMETRIC VIEW

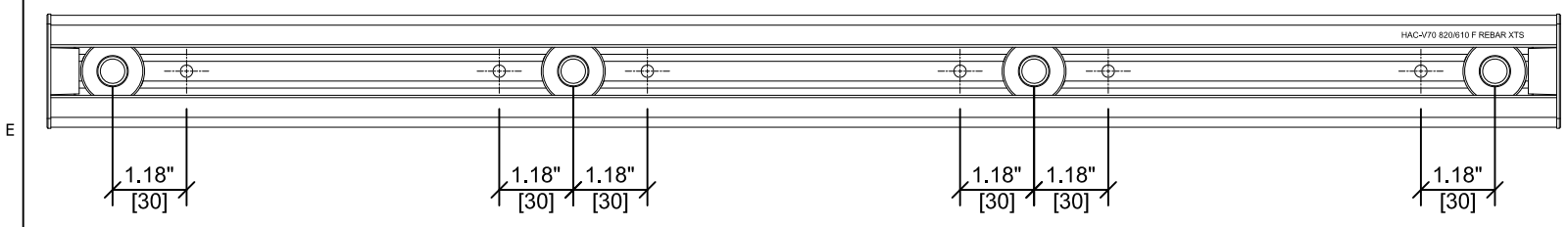


ITEM NUMBER: 2353764	CHANNEL LIP: SMOOTH
--------------------------------	-------------------------------

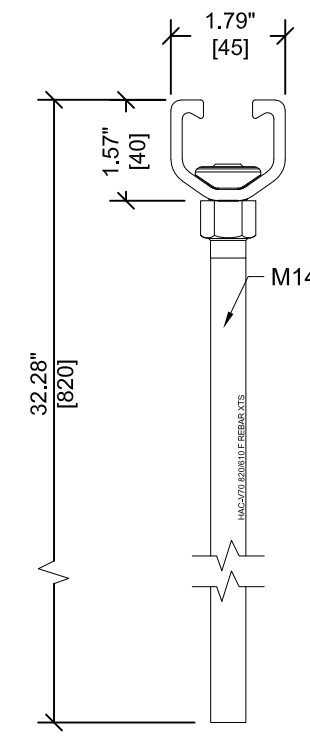
ITEM DESCRIPTION: HAC-V 70 820/550 F Rebar XTS
--



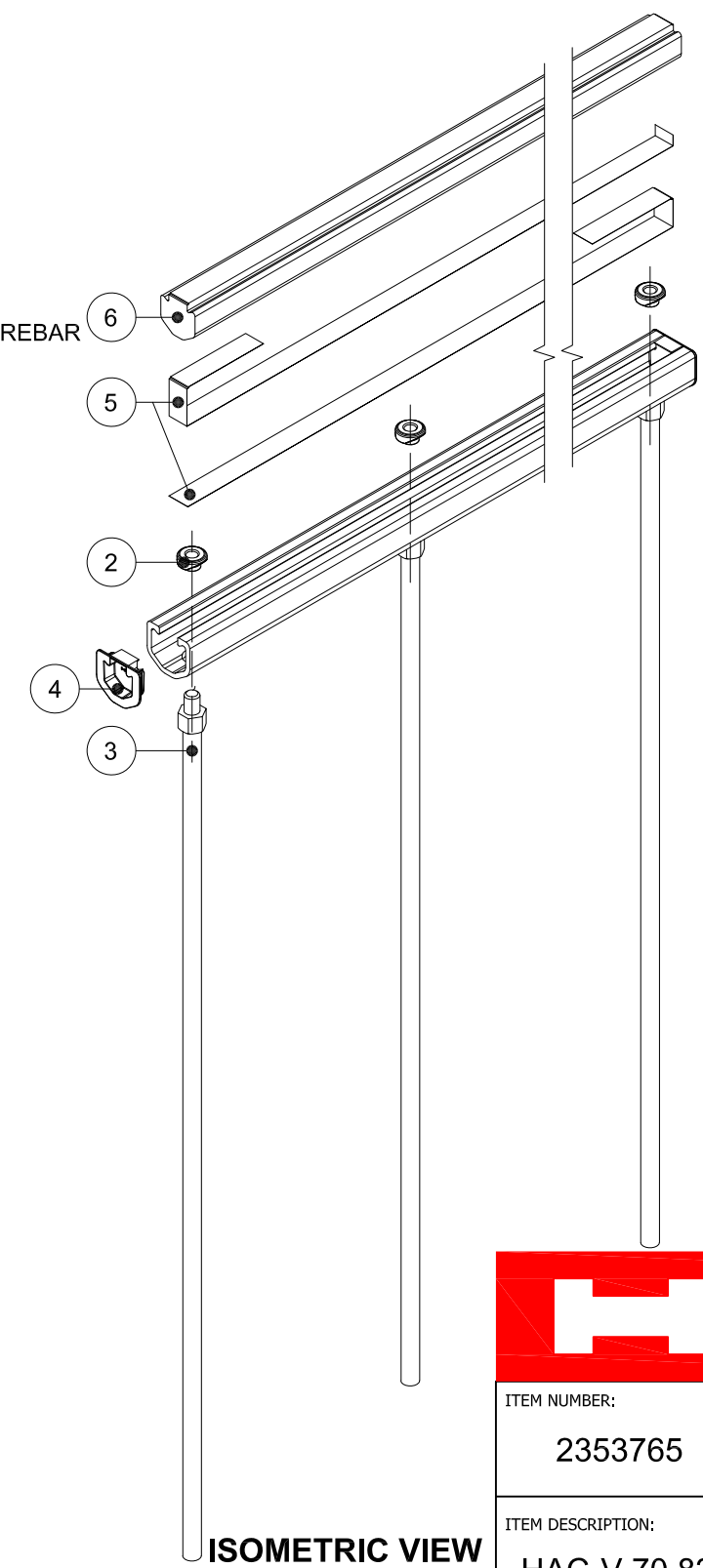
ELEVATION VIEW



PLAN VIEW



SECTION A-A'



ISOMETRIC VIEW

ITEM	DESCRIPTION	QUANTITY
1	CHANNEL PROFILE	1
2	RIVET CONNECTION	4
3	M14 REBAR	4
4	END CAP	2
5	TEAR OUT BAND	2
6	FILLER FOAM	1

HILTI

ITEM NUMBER:	CHANNEL LIP:
2353765	SMOOTH
ITEM DESCRIPTION:	
HAC-V 70 820/610 F Rebar XTS	

