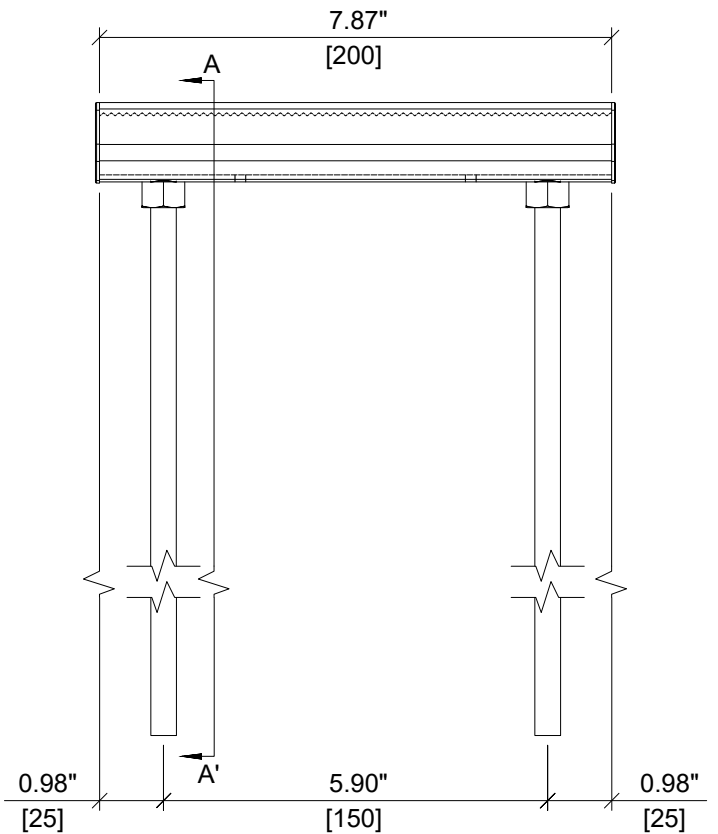
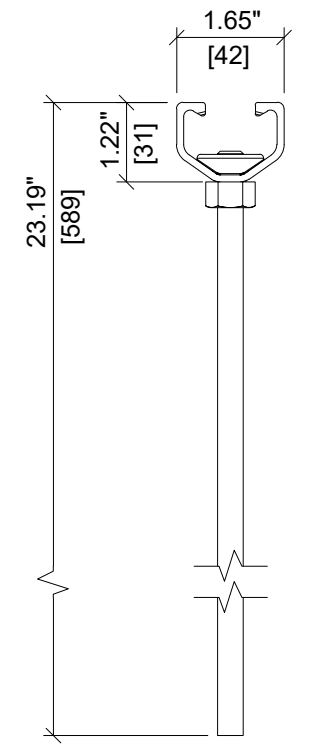


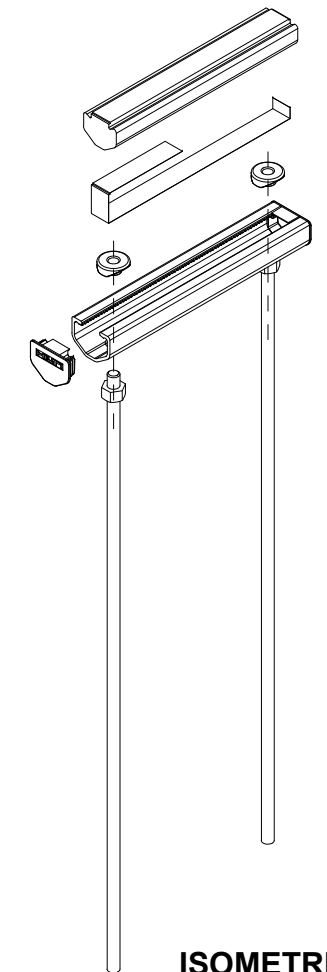
ITEM	DESCRIPTION	QUANTITY
1	CHANNEL PROFILE	1
2	RIVET CONNECTION	2
3	M10 REBAR	2
4	END CAP	2
5	TEAR OUT BAND	1
6	FILLER FOAM	1



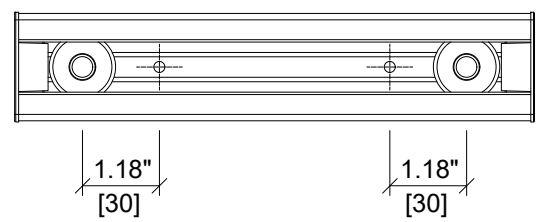
**ELEVATION VIEW**



**SECTION A-A'**



**ISOMETRIC VIEW**



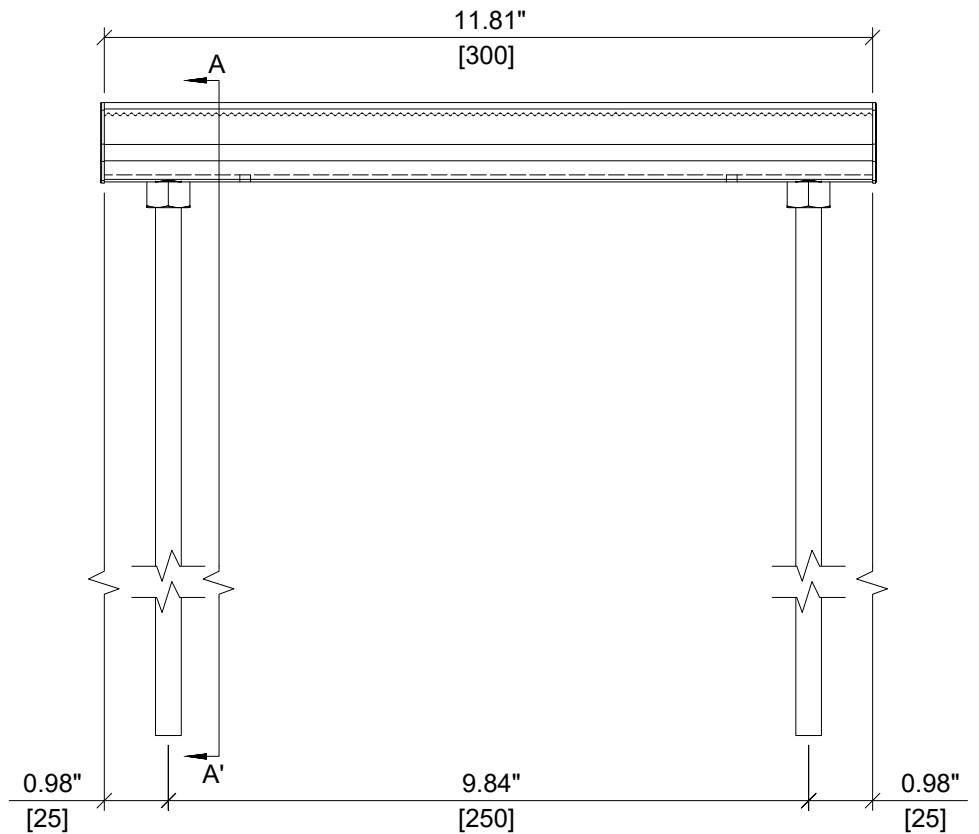
**PLAN VIEW**

**HILTI**

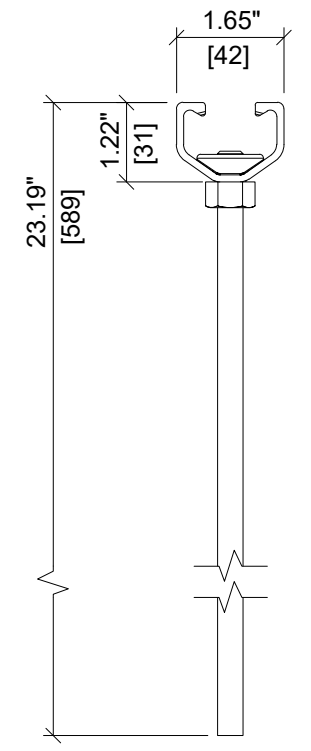
ITEM NUMBER: <p style="text-align: center; font-weight: bold;">2353766</p>	CHANNEL LIP: <p style="text-align: center; font-weight: bold;">SERRATED</p>
ITEM DESCRIPTION: <p style="text-align: center; font-weight: bold;">HAC-V-T 50 589/200 F REBAR XTS</p>	



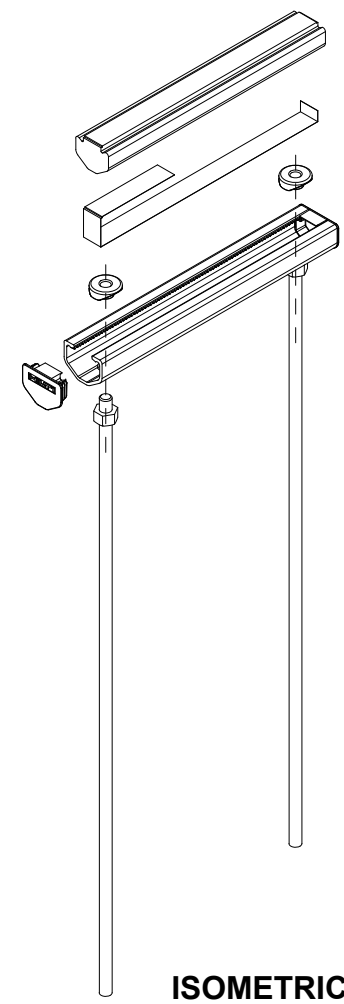
ITEM	DESCRIPTION	QUANTITY
1	CHANNEL PROFILE	1
2	RIVET CONNECTION	2
3	M10 REBAR	2
4	END CAP	2
5	TEAR OUT BAND	1
6	FILLER FOAM	1



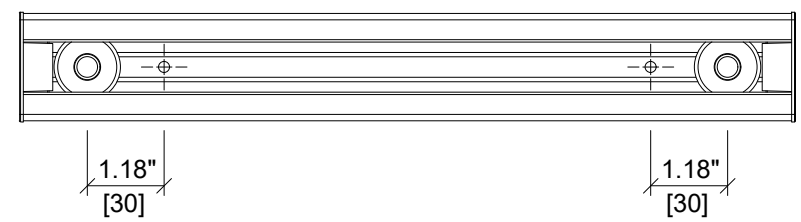
**ELEVATION VIEW**



**SECTION A-A'**



**ISOMETRIC VIEW**



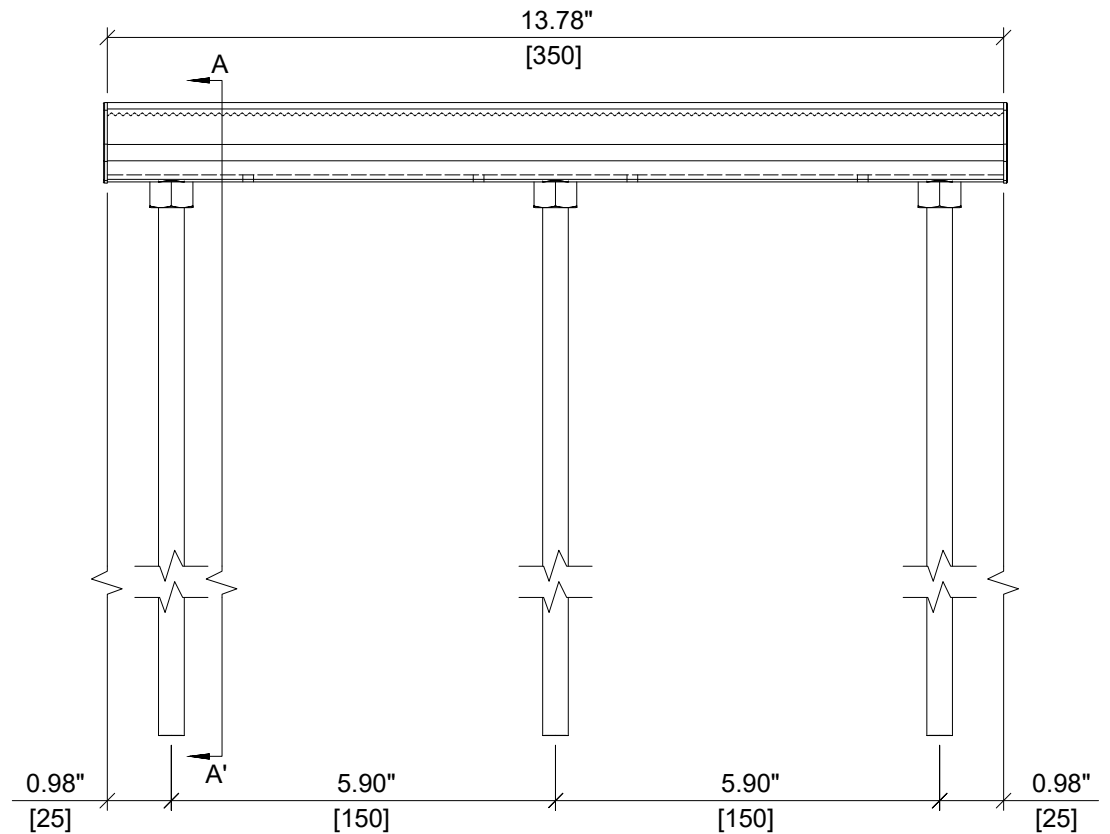
**PLAN VIEW**

**HILTI**

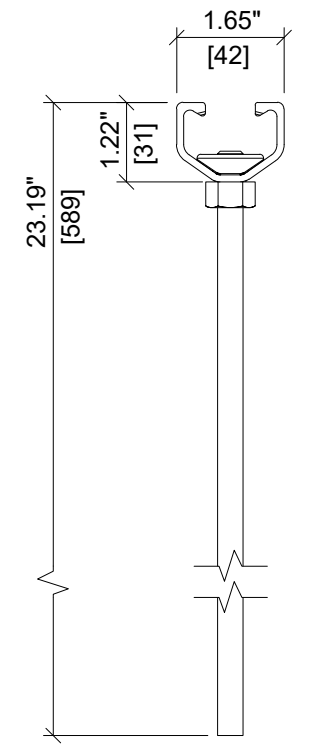
ITEM NUMBER: <p style="text-align: center; font-weight: bold;">2353767</p>	CHANNEL LIP: <p style="text-align: center; font-weight: bold;">SERRATED</p>
ITEM DESCRIPTION: <p style="text-align: center; font-weight: bold;">HAC-V-T 50 589/300 F REBAR XTS</p>	



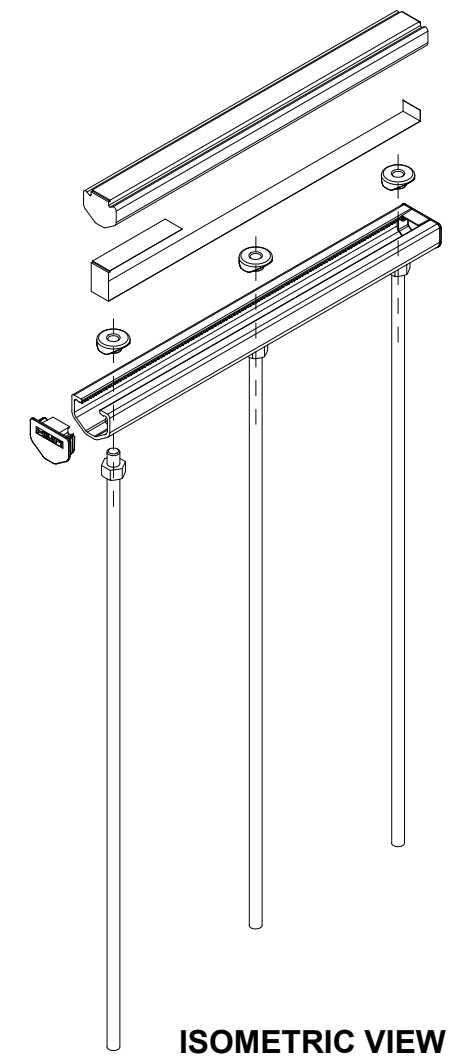
ITEM	DESCRIPTION	QUANTITY
1	CHANNEL PROFILE	1
2	RIVET CONNECTION	3
3	M10 REBAR	3
4	END CAP	2
5	TEAR OUT BAND	1
6	FILLER FOAM	1



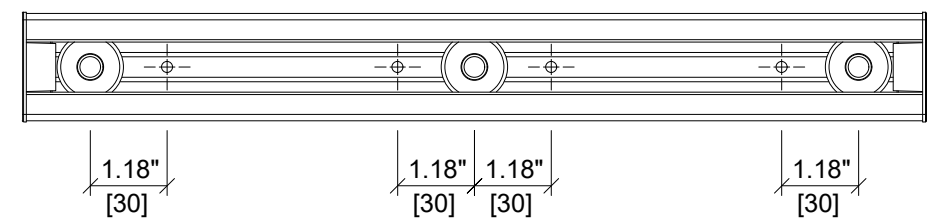
**ELEVATION VIEW**



**SECTION A-A'**



**ISOMETRIC VIEW**



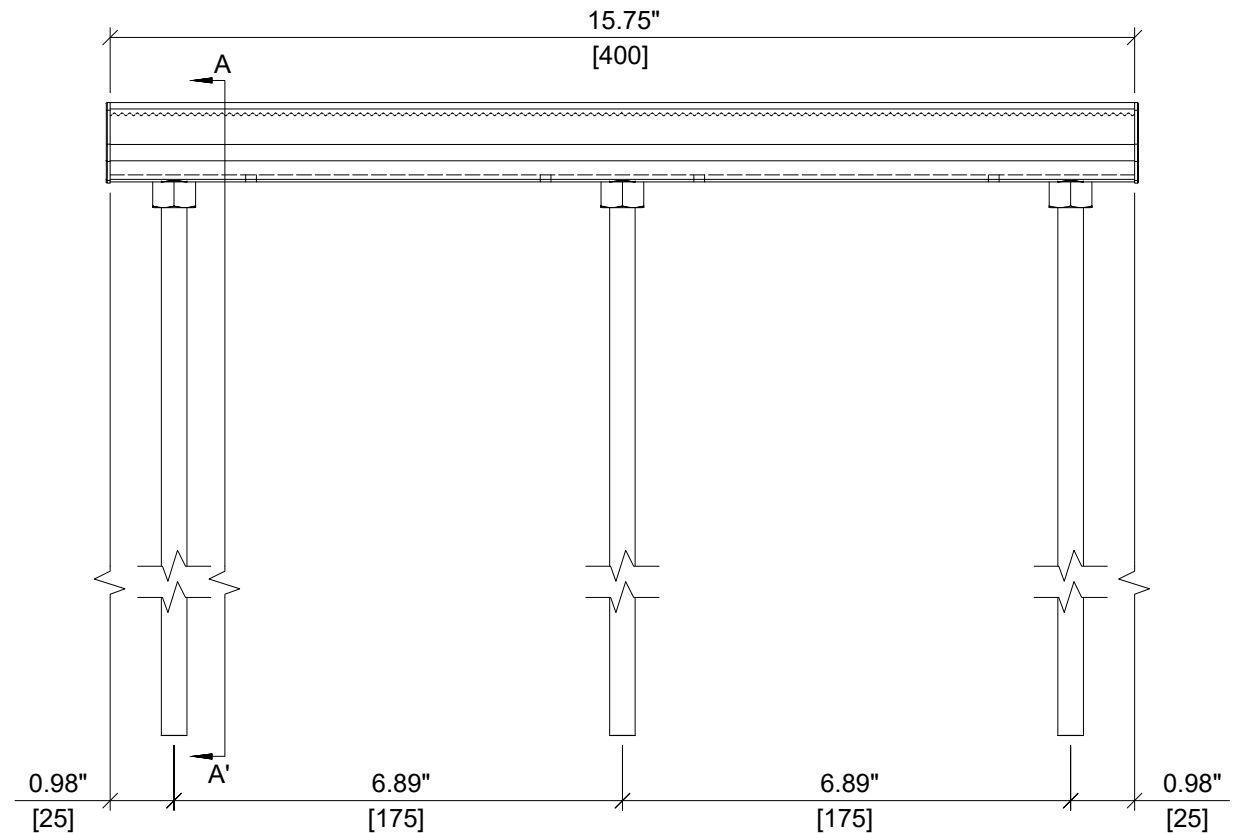
**PLAN VIEW**

**HILTI**

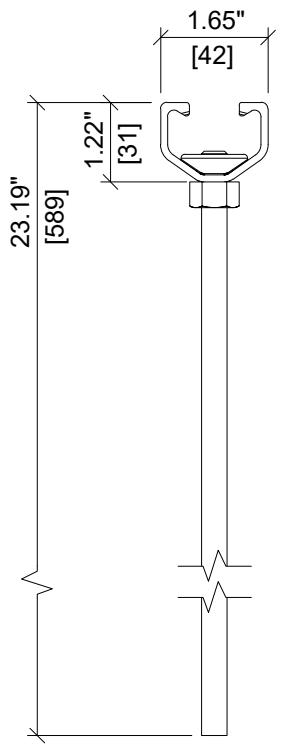
ITEM NUMBER: <p style="text-align: center; font-weight: bold;">2353768</p>	CHANNEL LIP: <p style="text-align: center; font-weight: bold;">SERRATED</p>
ITEM DESCRIPTION: <p style="text-align: center; font-weight: bold;">HAC-V-T 50 589/350 F REBAR XTS</p>	



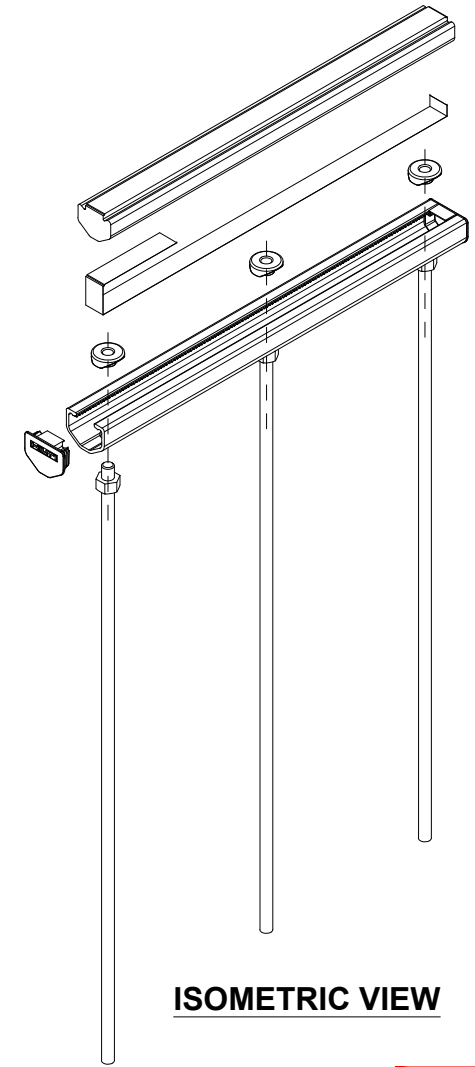
ITEM	DESCRIPTION	QUANTITY
1	CHANNEL PROFILE	1
2	RIVET CONNECTION	3
3	M10 REBAR	3
4	END CAP	2
5	TEAR OUT BAND	1
6	FILLER FOAM	1



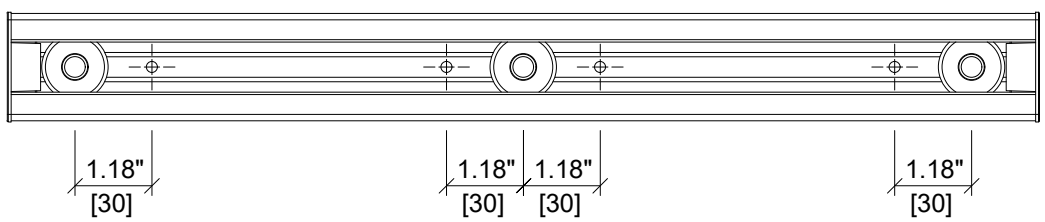
**ELEVATION VIEW**



**SECTION A-A'**



**ISOMETRIC VIEW**



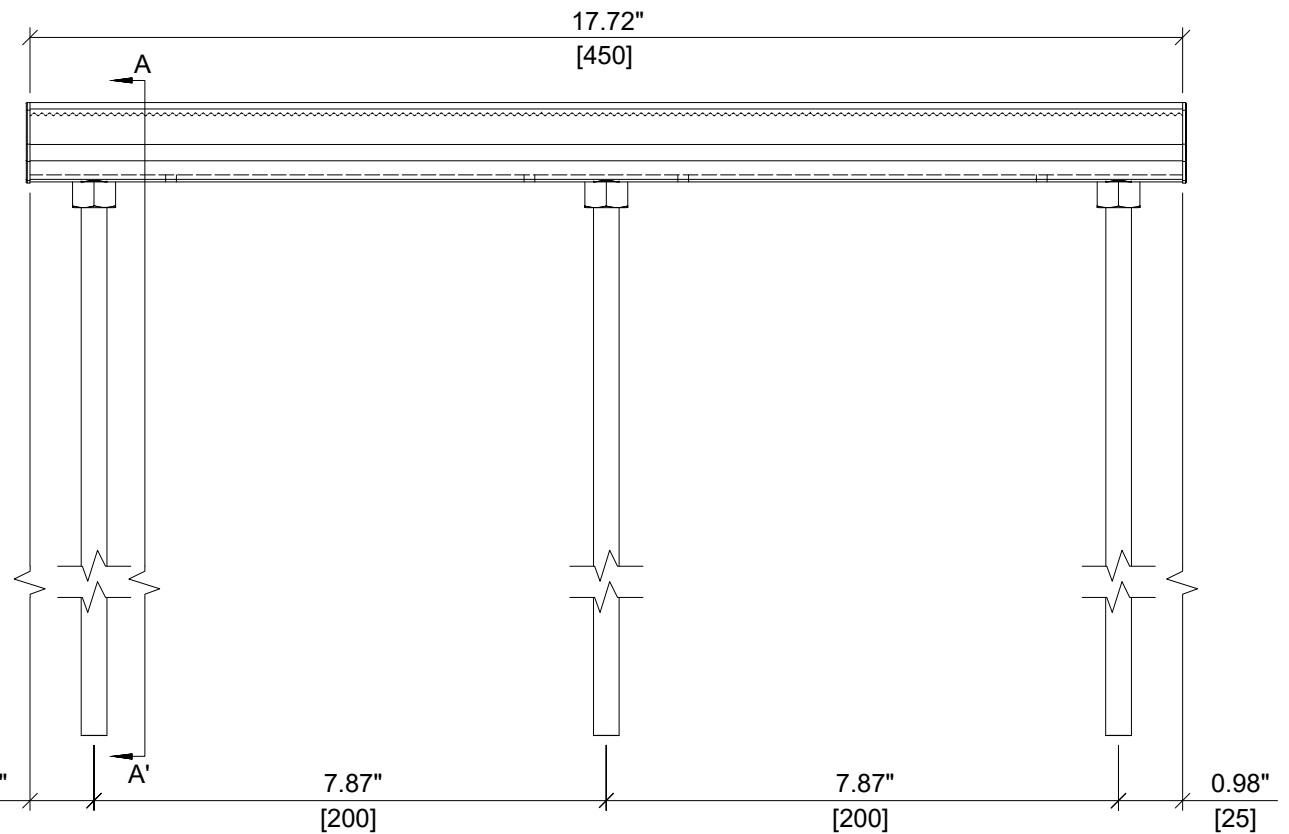
**PLAN VIEW**

**HILTI**

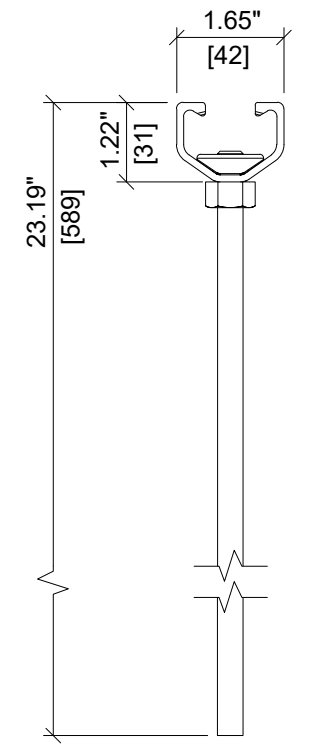
ITEM NUMBER: <b>2353769</b>	CHANNEL LIP: <b>SERRATED</b>
ITEM DESCRIPTION: <b>HAC-V-T 50 589/400 F REBAR XTS</b>	



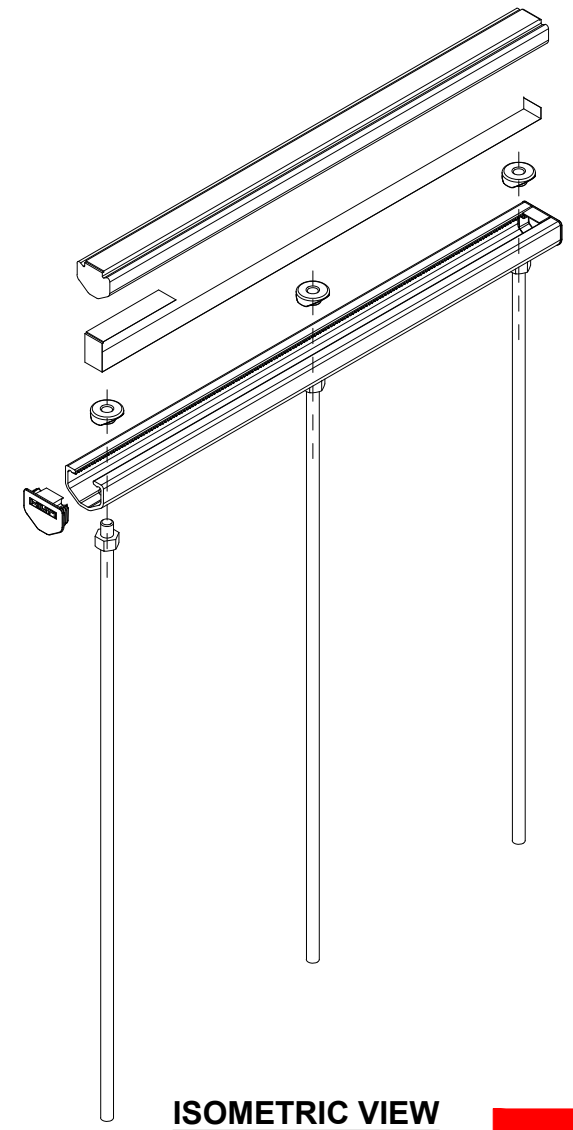
ITEM	DESCRIPTION	QUANTITY
1	CHANNEL PROFILE	1
2	RIVET CONNECTION	3
3	M10 REBAR	3
4	END CAP	2
5	TEAR OUT BAND	1
6	FILLER FOAM	1



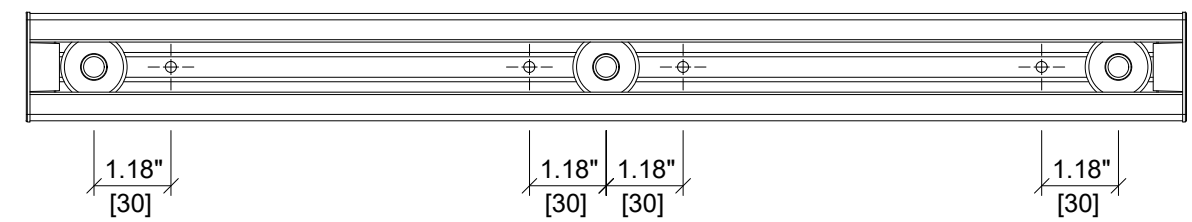
**ELEVATION VIEW**



**SECTION A-A'**



**ISOMETRIC VIEW**



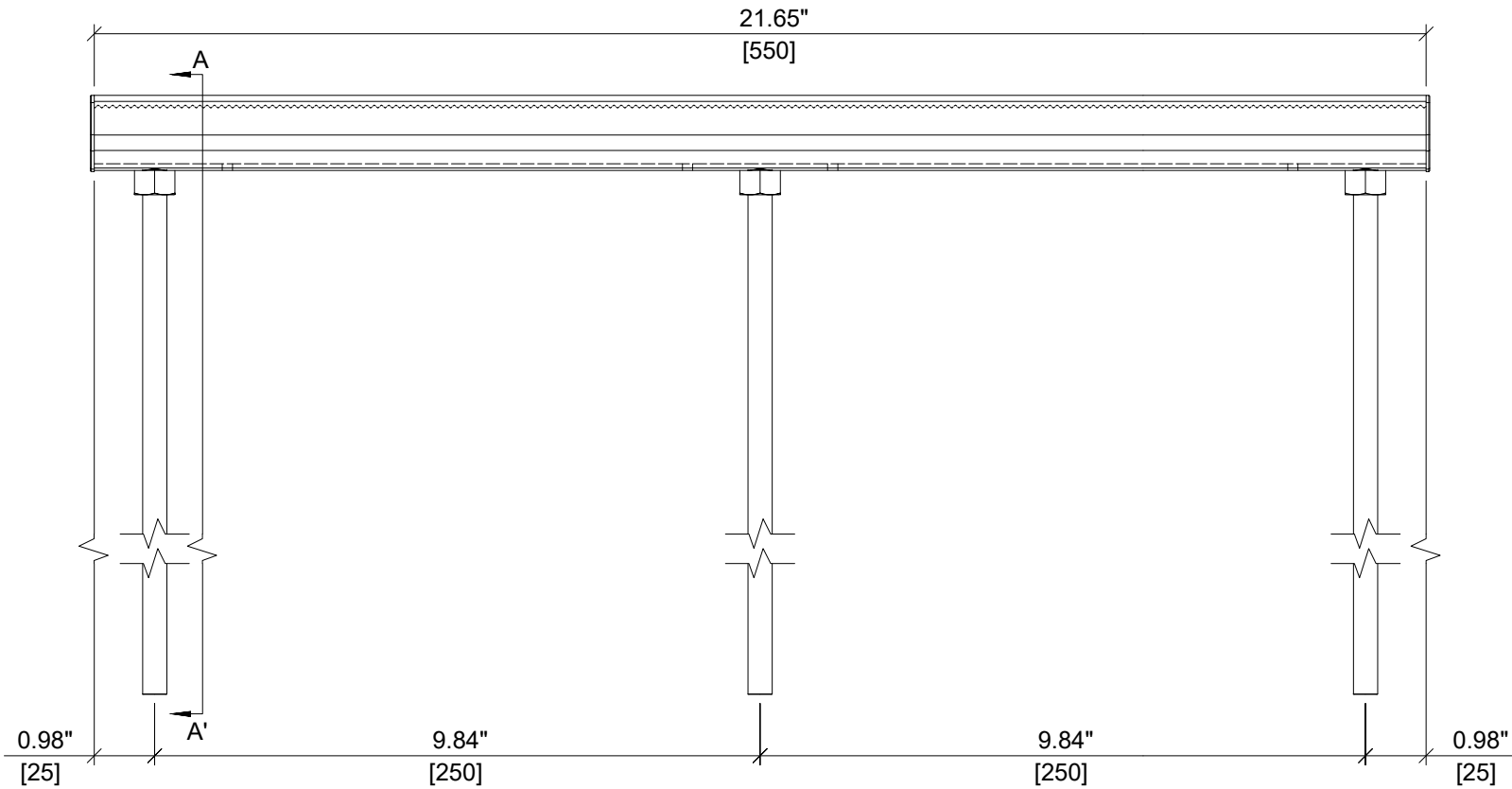
**PLAN VIEW**

**HILTI**

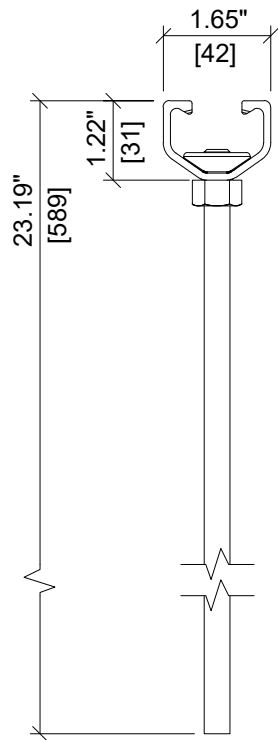
ITEM NUMBER: <p style="text-align: center; font-weight: bold;">2353770</p>	CHANNEL LIP: <p style="text-align: center; font-weight: bold;">SERRATED</p>
ITEM DESCRIPTION: <p style="text-align: center; font-weight: bold;">HAC-V-T 50 589/450 F REBAR XTS</p>	



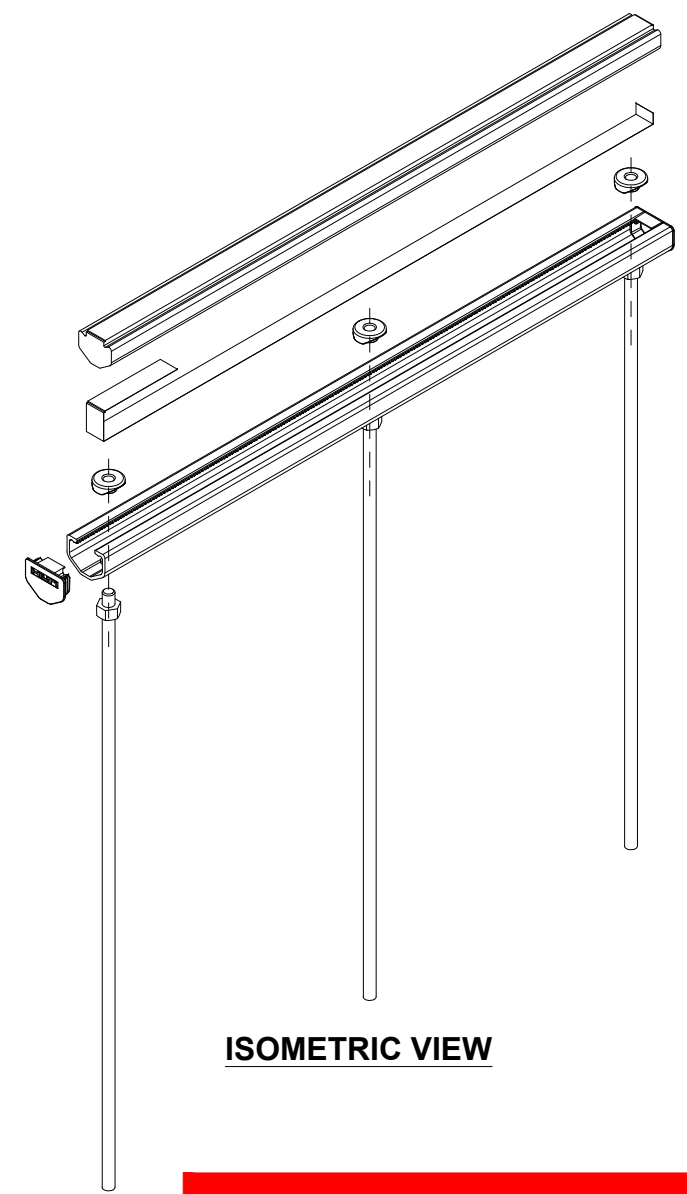
ITEM	DESCRIPTION	QUANTITY
1	CHANNEL PROFILE	1
2	RIVET CONNECTION	3
3	M10 REBAR	3
4	END CAP	2
5	TEAR OUT BAND	1
6	FILLER FOAM	1



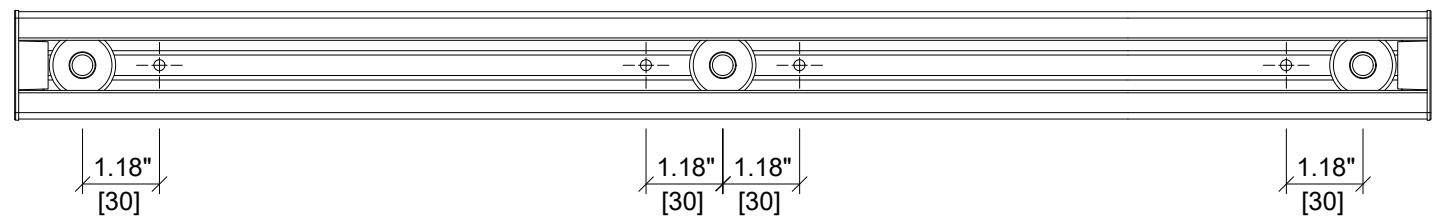
**ELEVATION VIEW**



**SECTION A-A'**



**ISOMETRIC VIEW**



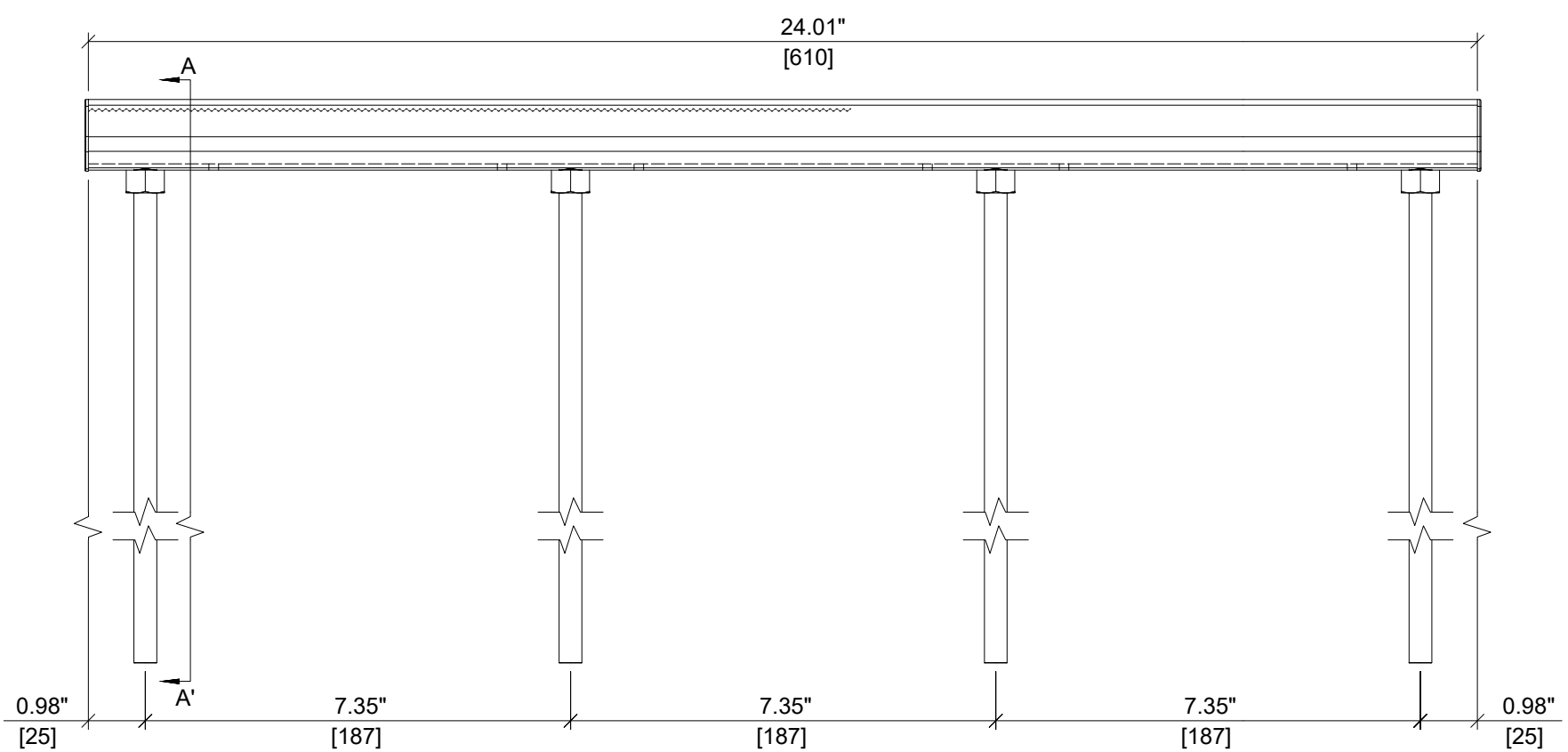
**PLAN VIEW**

**HILTI**

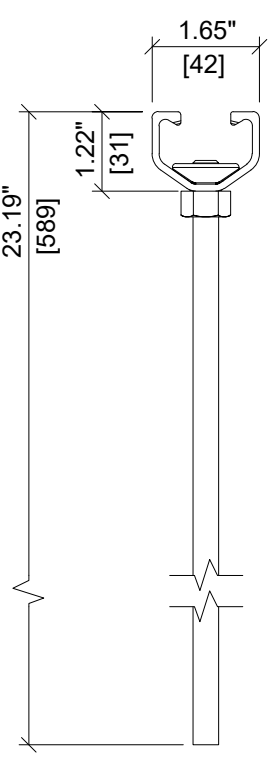
ITEM NUMBER: <p style="text-align: center; font-weight: bold;">2353771</p>	CHANNEL LIP: <p style="text-align: center; font-weight: bold;">SERRATED</p>
ITEM DESCRIPTION: <p style="text-align: center; font-weight: bold;">HAC-V-T 50 589/550 F REBAR XTS</p>	



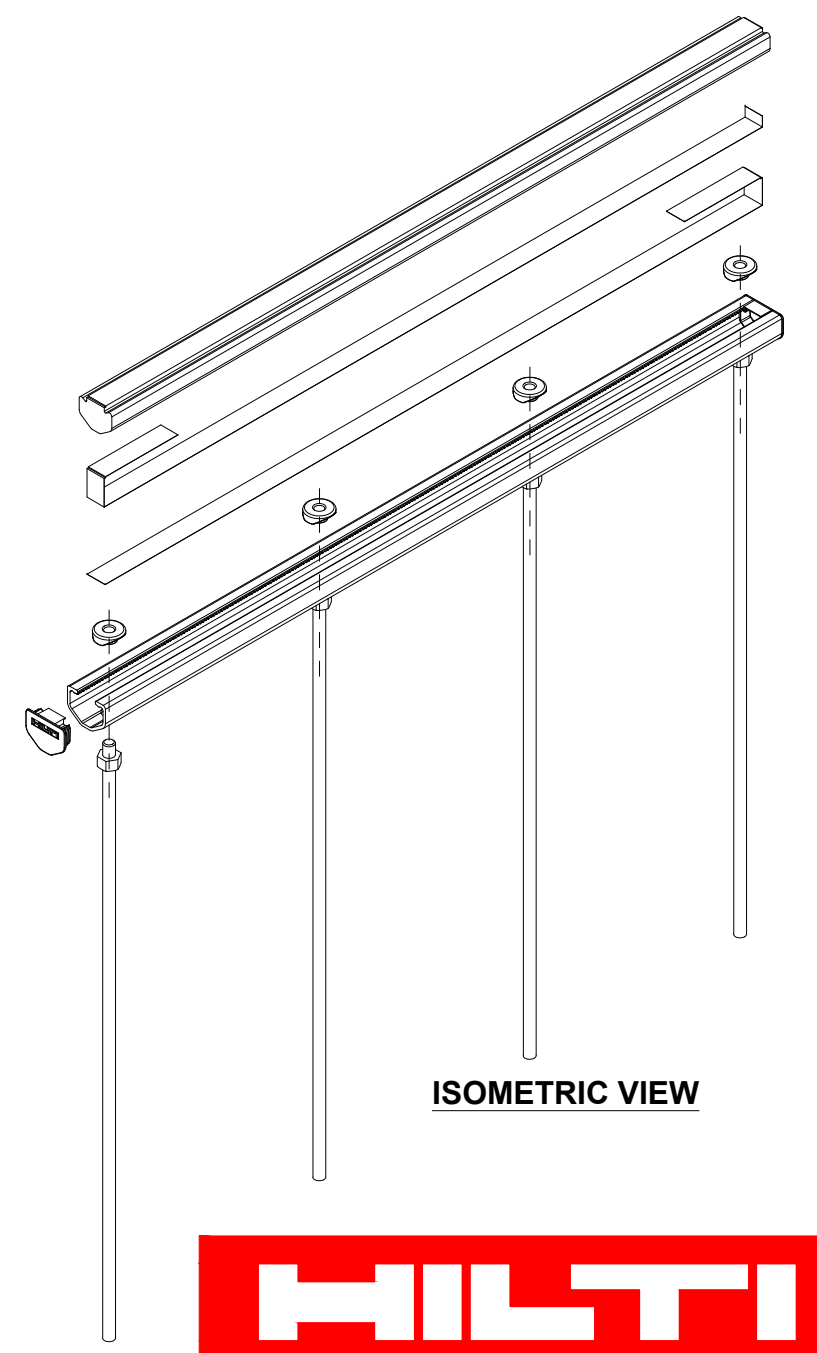
ITEM	DESCRIPTION	QUANTITY
1	CHANNEL PROFILE	1
2	RIVET CONNECTION	4
3	M10 REBAR	4
4	END CAP	2
5	TEAR OUT BAND	2
6	FILLER FOAM	1



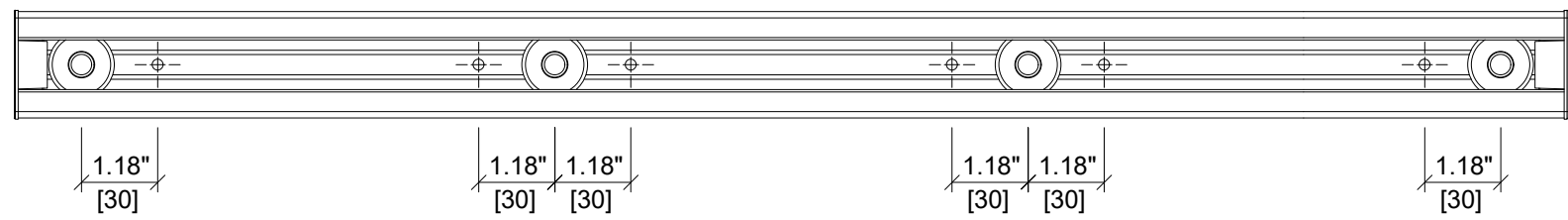
**ELEVATION VIEW**




**SECTION A-A'**



**ISOMETRIC VIEW**



**PLAN VIEW**



ITEM NUMBER: <b>2353772</b>	CHANNEL LIP: <b>SERRATED</b> 
ITEM DESCRIPTION: <b>HAC-V-T 50 589/610 F REBAR XTS</b>	



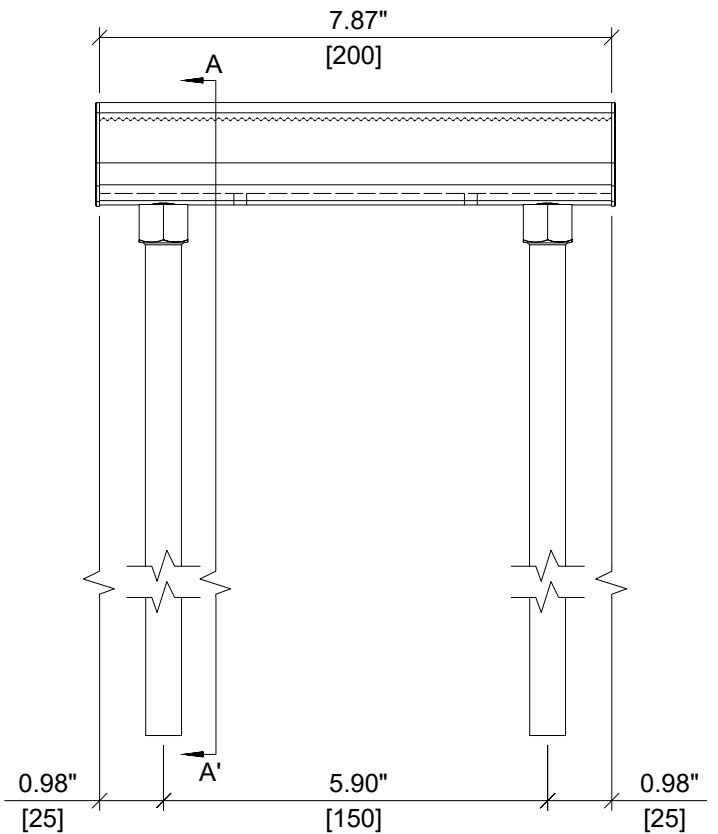
A  
B  
C  
D  
E  
F

A  
B  
C  
D  
E  
F

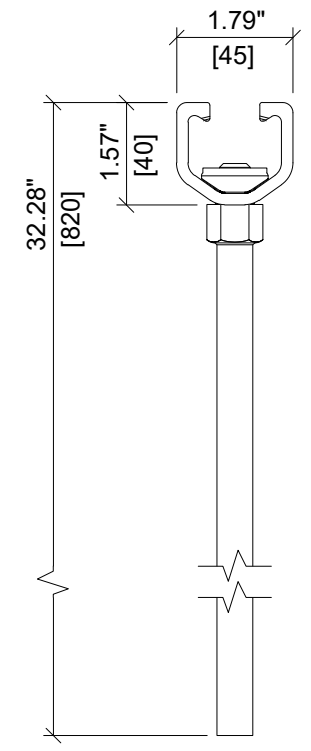
1 2 3 4 5 6 7 8

1 2 3 4 5 6 7 8

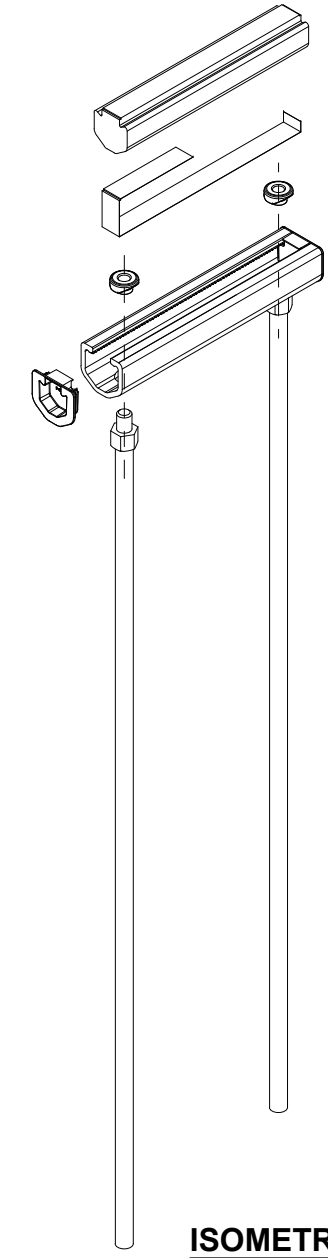
ITEM	DESCRIPTION	QUANTITY
1	CHANNEL PROFILE	1
2	RIVET CONNECTION	2
3	M14 REBAR	2
4	END CAP	2
5	TEAR OUT BAND	1
6	FILLER FOAM	1



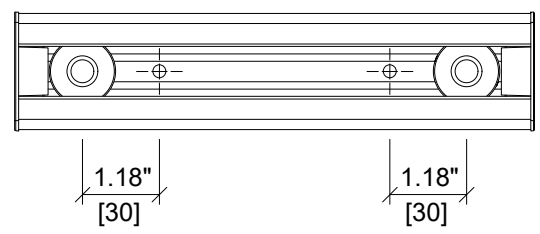
**ELEVATION VIEW**



**SECTION A-A'**



**ISOMETRIC VIEW**



**PLAN VIEW**

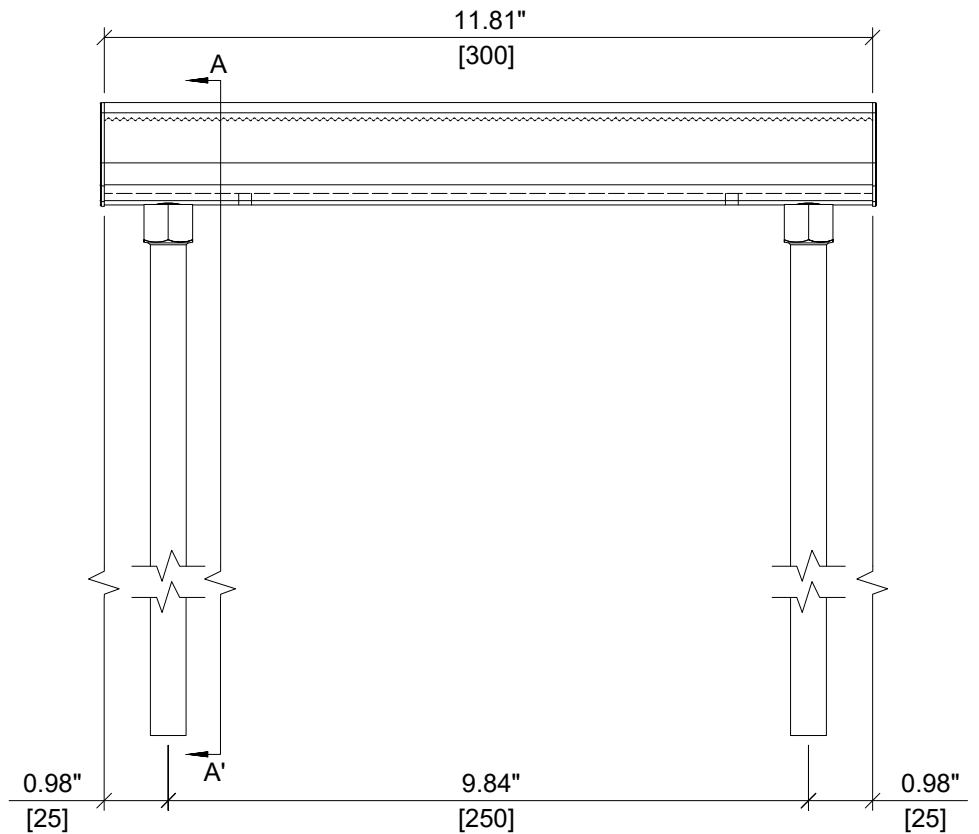
**HILTI**

ITEM NUMBER: <p style="text-align: center; font-weight: bold;">2353773</p>	CHANNEL LIP: <p style="text-align: center; font-weight: bold;">SERRATED</p>
ITEM DESCRIPTION: <p style="text-align: center; font-weight: bold;">HAC-V-T 70 820/200 F REBAR XTS</p>	

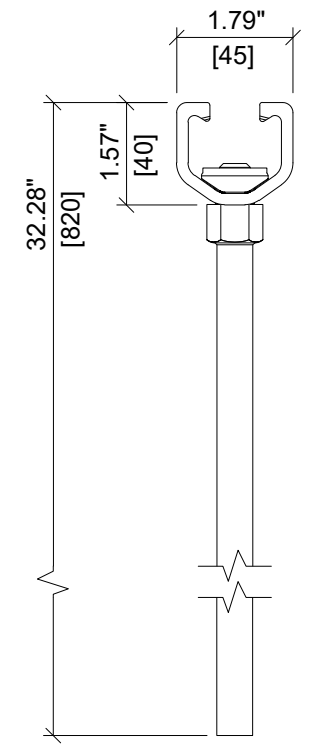




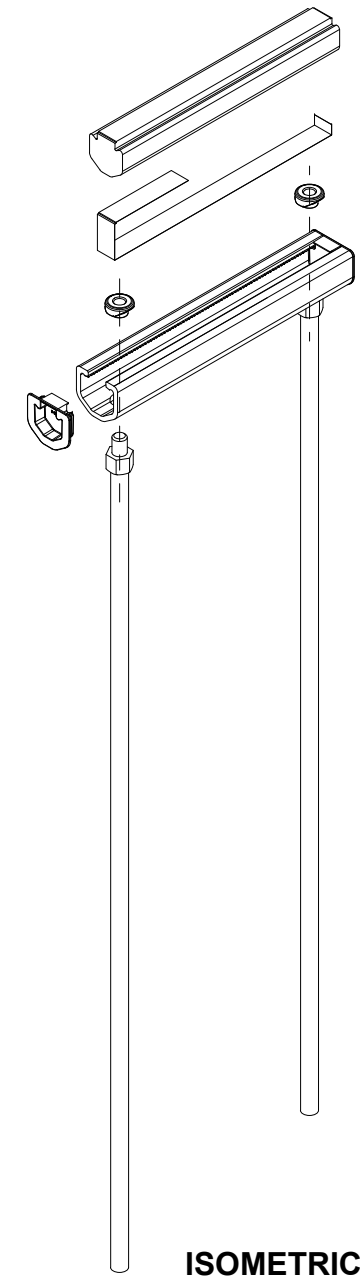
ITEM	DESCRIPTION	QUANTITY
1	CHANNEL PROFILE	1
2	RIVET CONNECTION	2
3	M14 REBAR	2
4	END CAP	2
5	TEAR OUT BAND	1
6	FILLER FOAM	1



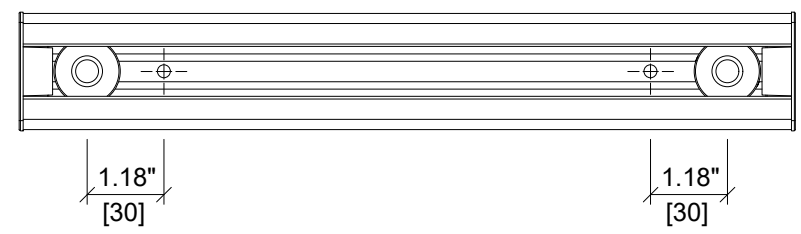
**ELEVATION VIEW**



**SECTION A-A'**



**ISOMETRIC VIEW**



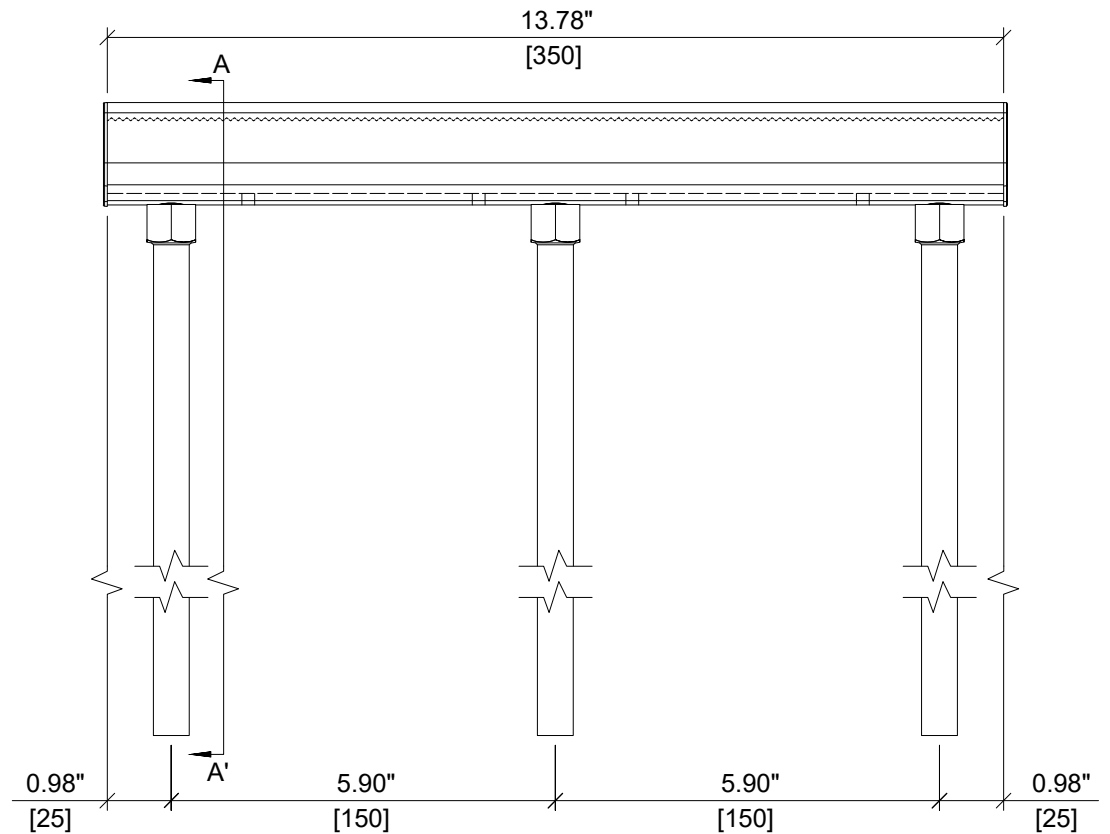
**PLAN VIEW**

**HILTI**

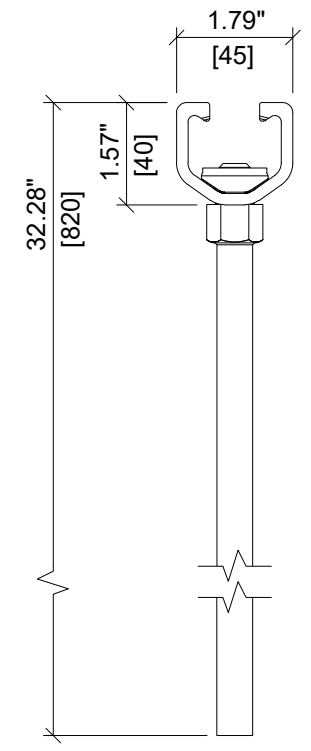
ITEM NUMBER: <p style="text-align: center; font-weight: bold; font-size: 16px;">2353774</p>	CHANNEL LIP: <p style="text-align: center; font-weight: bold; font-size: 16px;">SERRATED</p>
ITEM DESCRIPTION: <p style="text-align: center; font-weight: bold; font-size: 16px;">HAC-V-T 70 820/300 F REBAR XTS</p>	



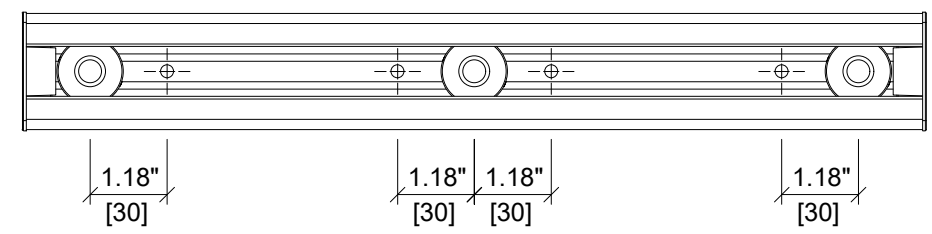
ITEM	DESCRIPTION	QUANTITY
1	CHANNEL PROFILE	1
2	RIVET CONNECTION	3
3	M14 REBAR	3
4	END CAP	2
5	TEAR OUT BAND	1
6	FILLER FOAM	1



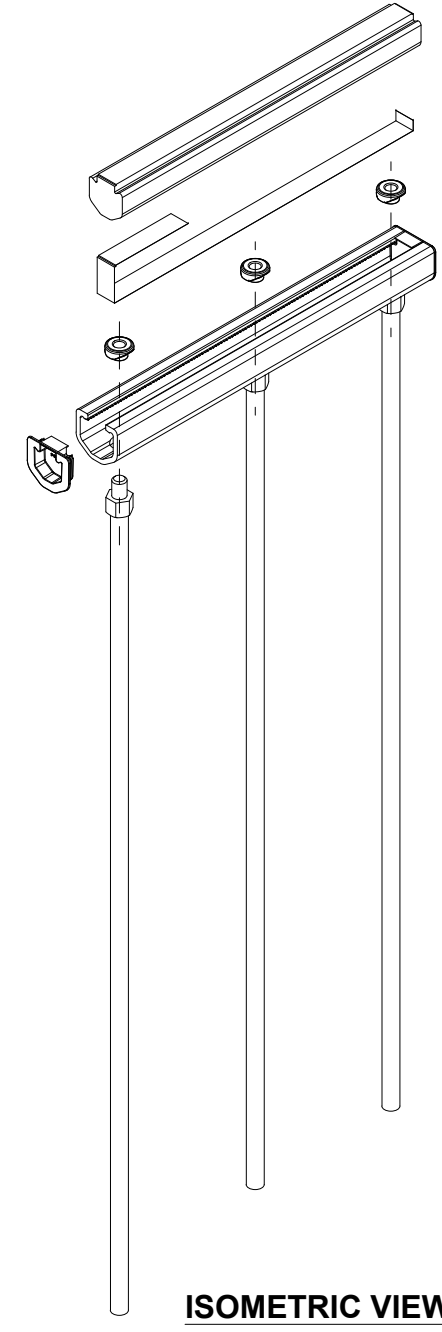
**ELEVATION VIEW**



**SECTION A-A'**



**PLAN VIEW**



**ISOMETRIC VIEW**

**HILTI**

ITEM NUMBER: <p style="text-align: center; font-weight: bold;">2353775</p>	CHANNEL LIP: <p style="text-align: center; font-weight: bold;">SERRATED</p>
ITEM DESCRIPTION: <p style="text-align: center; font-weight: bold;">HAC-V-T 70 820/350 F REBAR XTS</p>	



1 2 3 4 5 6 7 8

A

B

C

D

E

F

A

B

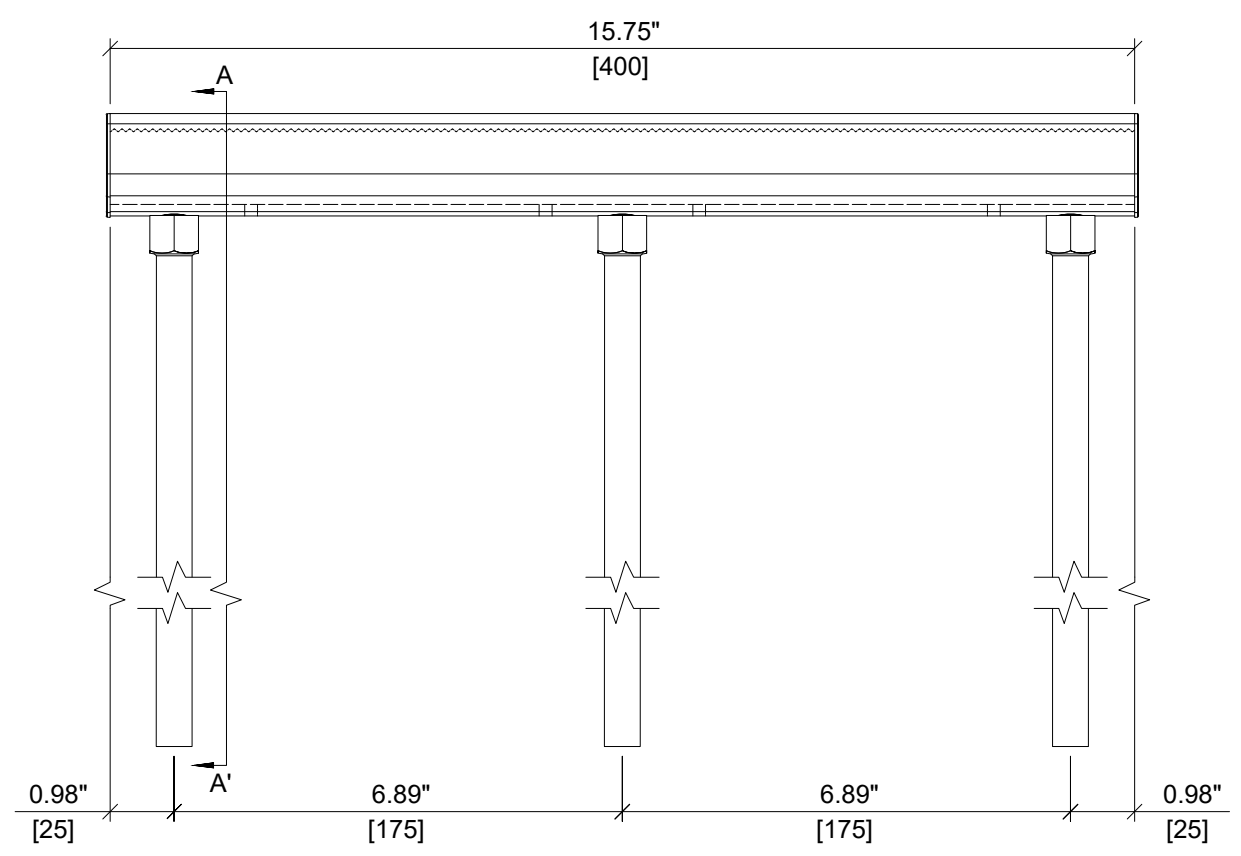
C

D

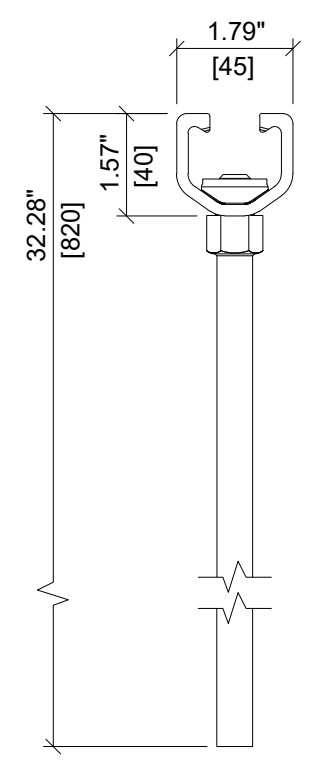
E

F

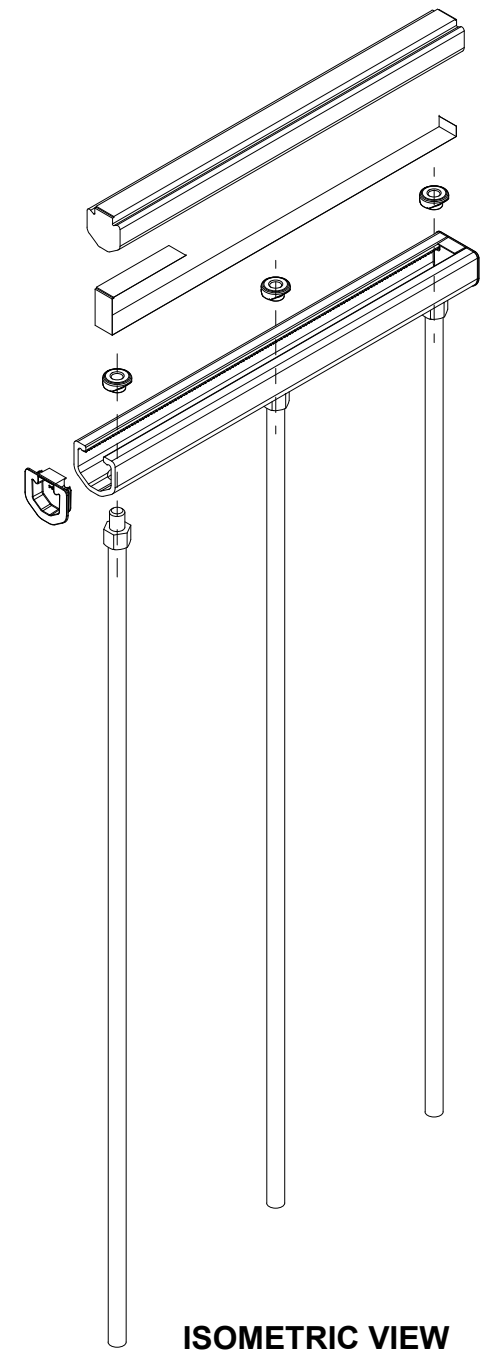
ITEM	DESCRIPTION	QUANTITY
1	CHANNEL PROFILE	1
2	RIVET CONNECTION	3
3	M14 REBAR	3
4	END CAP	2
5	TEAR OUT BAND	1
6	FILLER FOAM	1



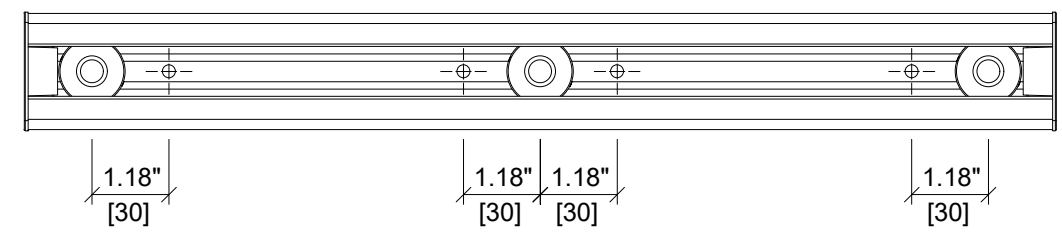
**ELEVATION VIEW**



**SECTION A-A'**



**ISOMETRIC VIEW**



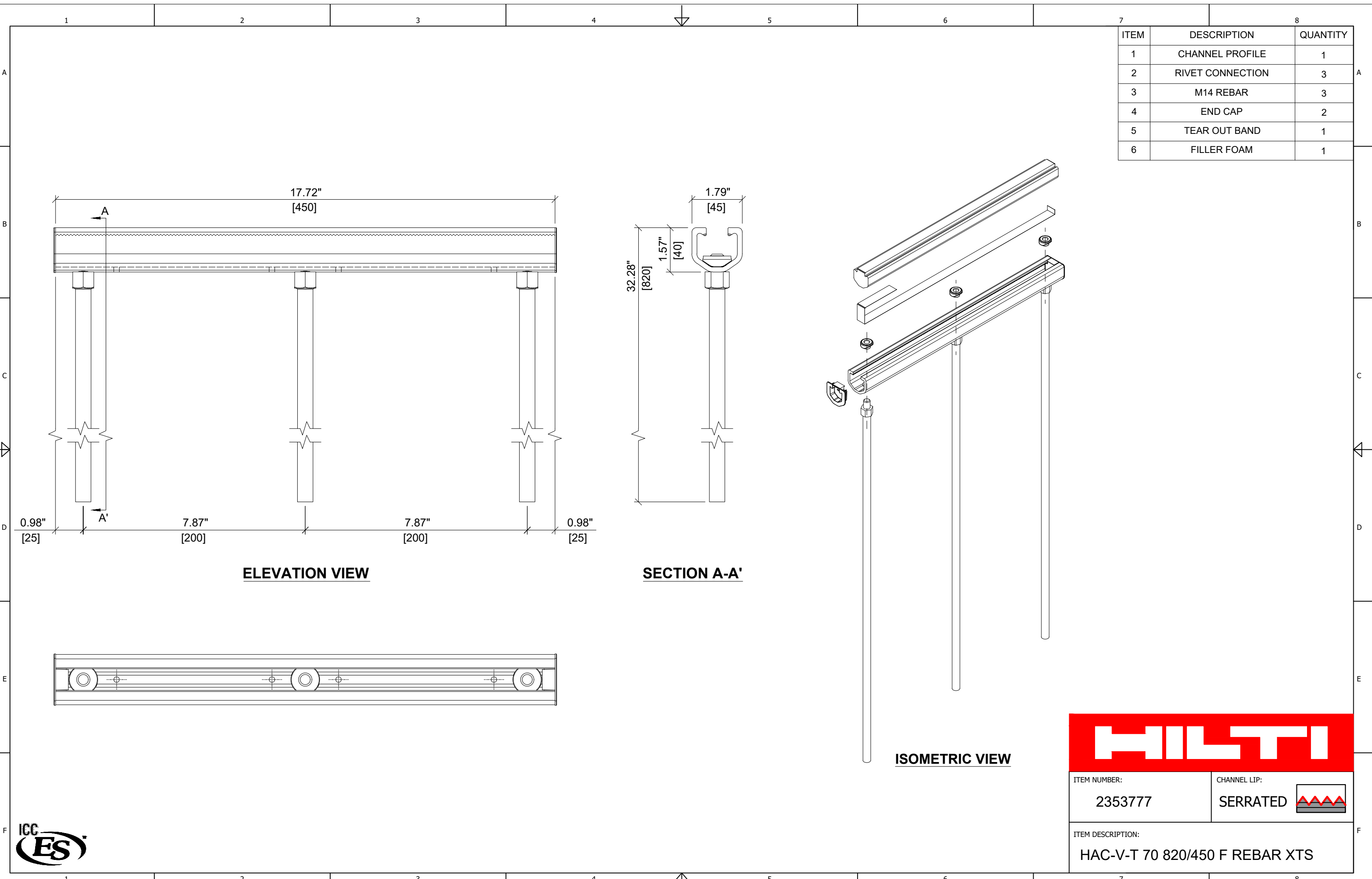
**PLAN VIEW**



ITEM NUMBER: <b>2353776</b>	CHANNEL LIP: <b>SERRATED</b>
ITEM DESCRIPTION: <b>HAC-V-T 70 820/400 F REBAR XTS</b>	



1 2 3 4 5 6 7 8



ITEM	DESCRIPTION	QUANTITY
1	CHANNEL PROFILE	1
2	RIVET CONNECTION	3
3	M14 REBAR	3
4	END CAP	2
5	TEAR OUT BAND	1
6	FILLER FOAM	1

**ELEVATION VIEW**

**SECTION A-A'**

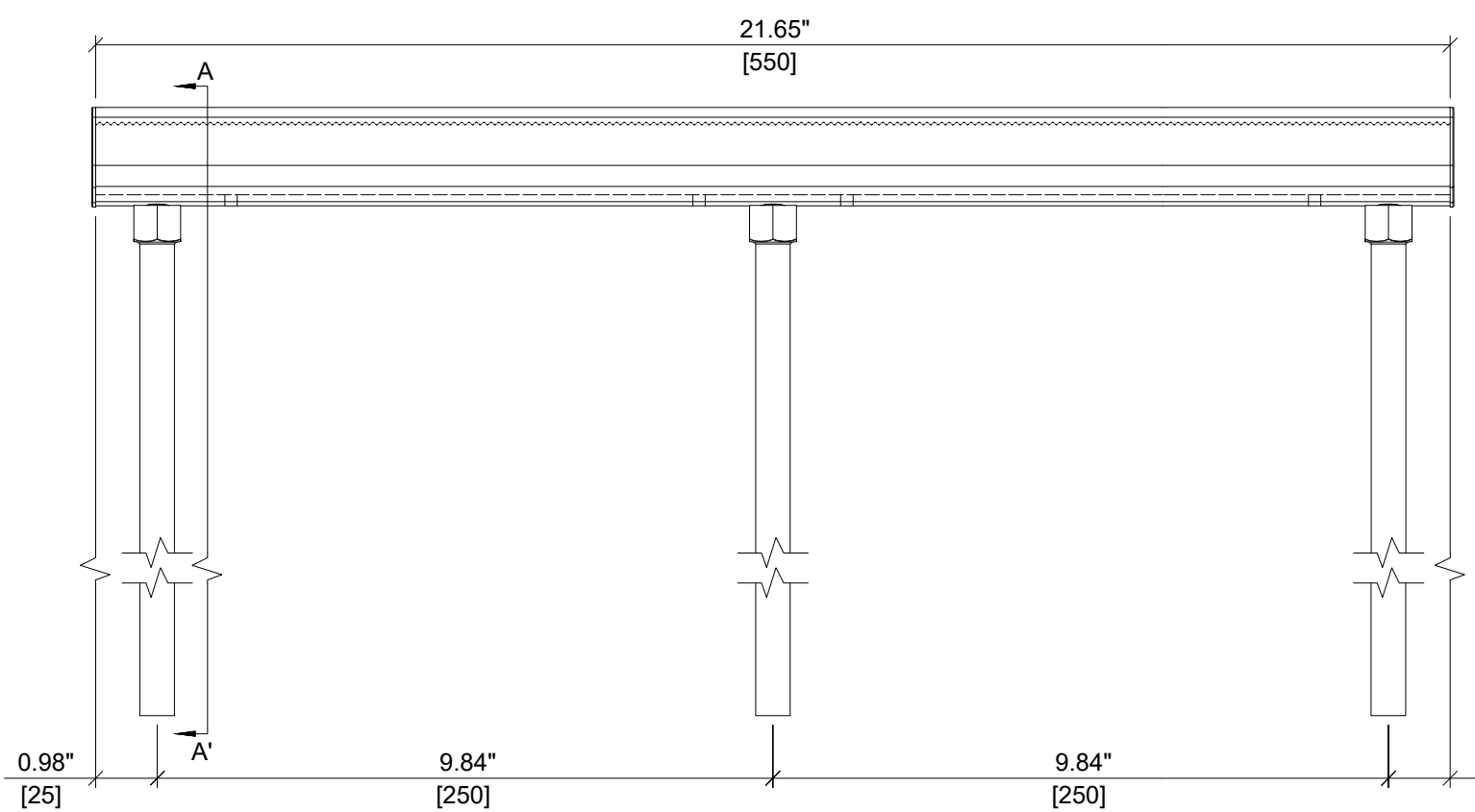
**ISOMETRIC VIEW**

**HILTI**

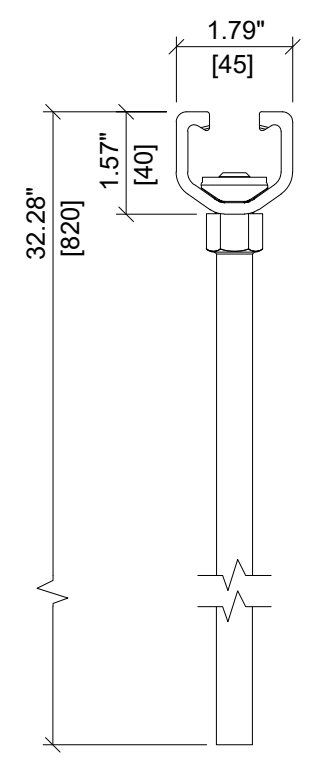
ITEM NUMBER: <p style="text-align: center; font-weight: bold;">2353777</p>	CHANNEL LIP: <p style="text-align: center; font-weight: bold;">SERRATED</p>
ITEM DESCRIPTION: <p style="text-align: center; font-weight: bold;">HAC-V-T 70 820/450 F REBAR XTS</p>	



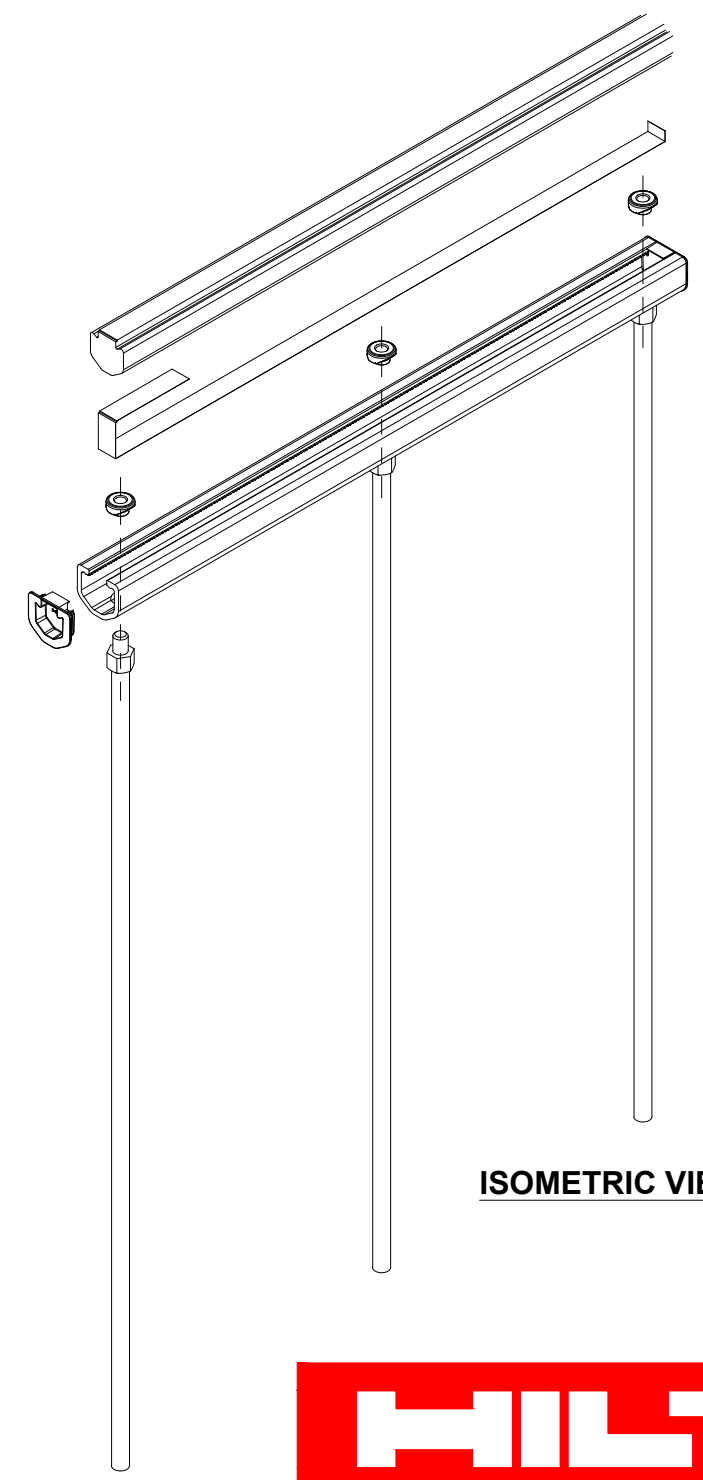
ITEM	DESCRIPTION	QUANTITY
1	CHANNEL PROFILE	1
2	RIVET CONNECTION	3
3	M14 REBAR	3
4	END CAP	2
5	TEAR OUT BAND	1
6	FILLER FOAM	1



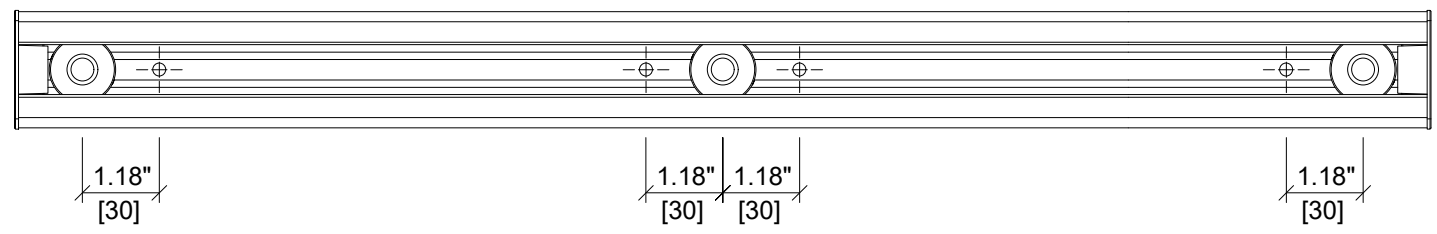
**ELEVATION VIEW**




**SECTION A-A'**

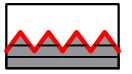


**ISOMETRIC VIEW**



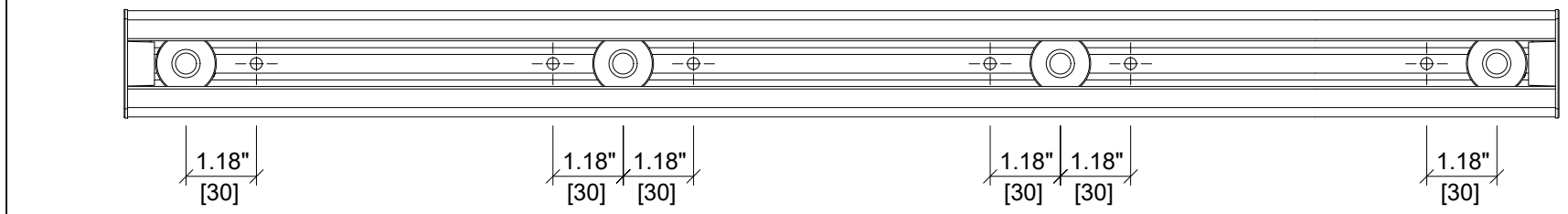
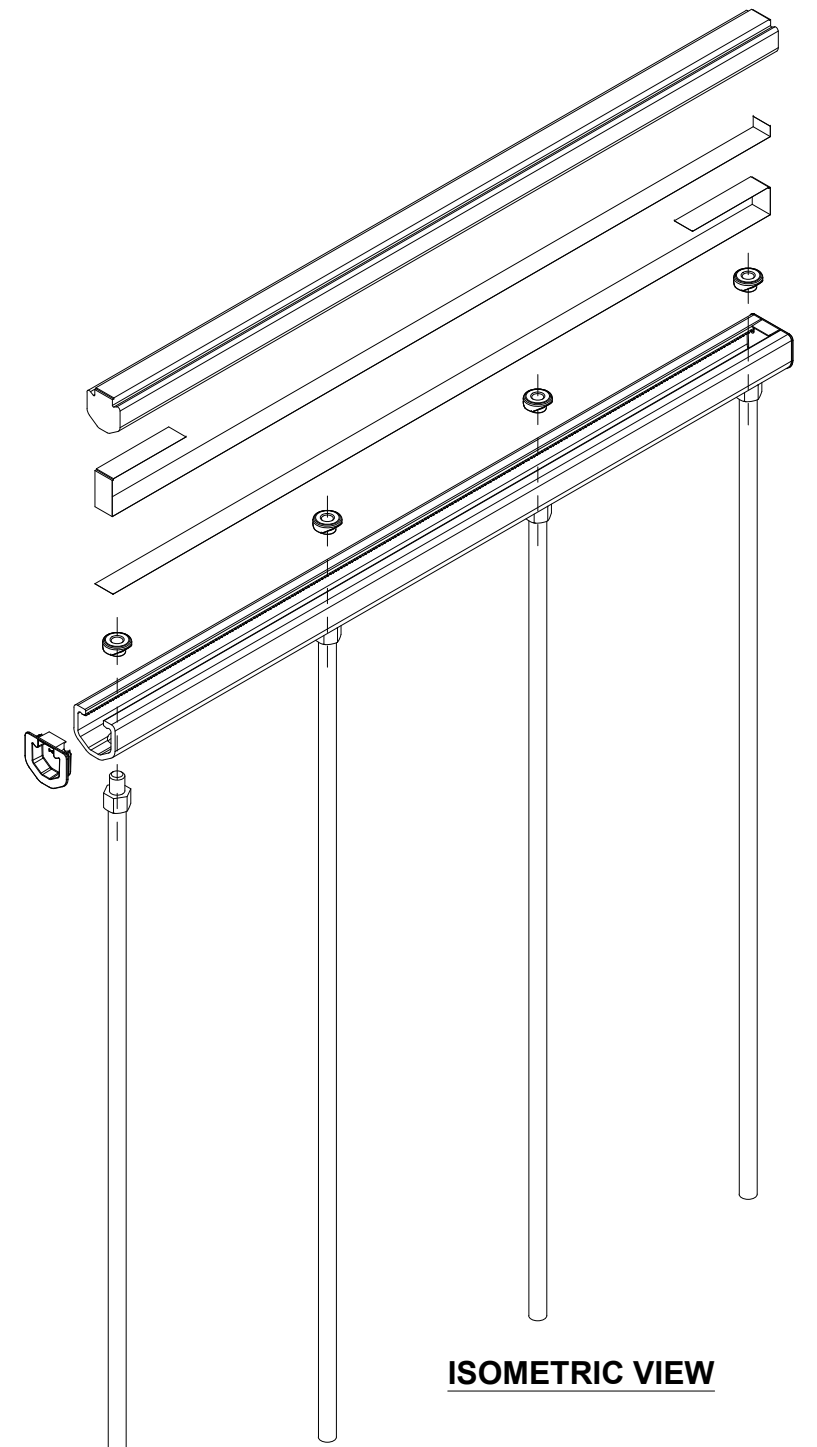
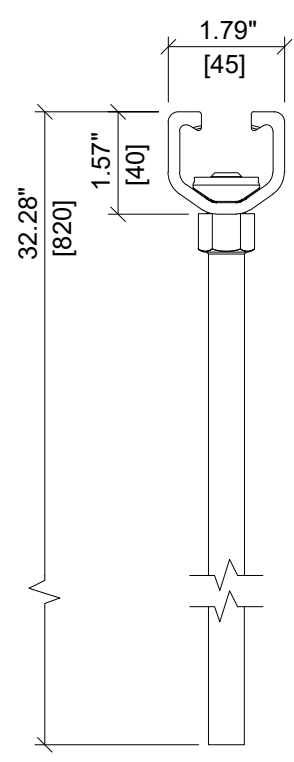
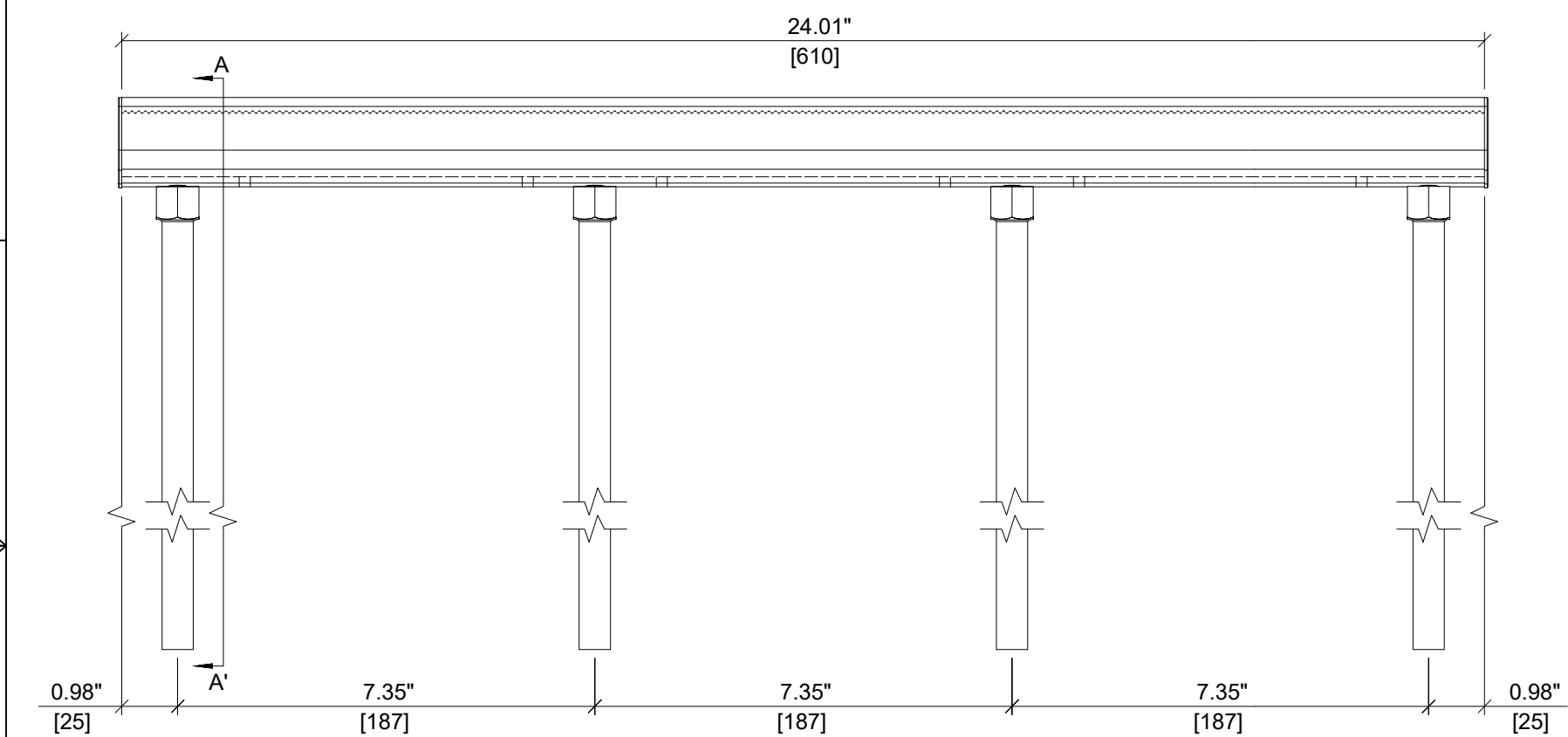
**PLAN VIEW**



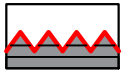
ITEM NUMBER: <p style="text-align: center; font-weight: bold;">2353778</p>	CHANNEL LIP: <p style="text-align: center; font-weight: bold;">SERRATED</p> 
ITEM DESCRIPTION: <p style="text-align: center; font-weight: bold;">HAC-V-T 70 820/550 F REBAR XTS</p>	



ITEM	DESCRIPTION	QUANTITY
1	CHANNEL PROFILE	1
2	RIVET CONNECTION	4
3	M14 REBAR	4
4	END CAP	2
5	TEAR OUT BAND	2
6	FILLER FOAM	1



**HILTI**

ITEM NUMBER: <b>TBD</b>	CHANNEL LIP: <b>SERRATED</b> 
ITEM DESCRIPTION: <b>HAC-V-T 70 820/610 F REBAR XTS</b>	

