

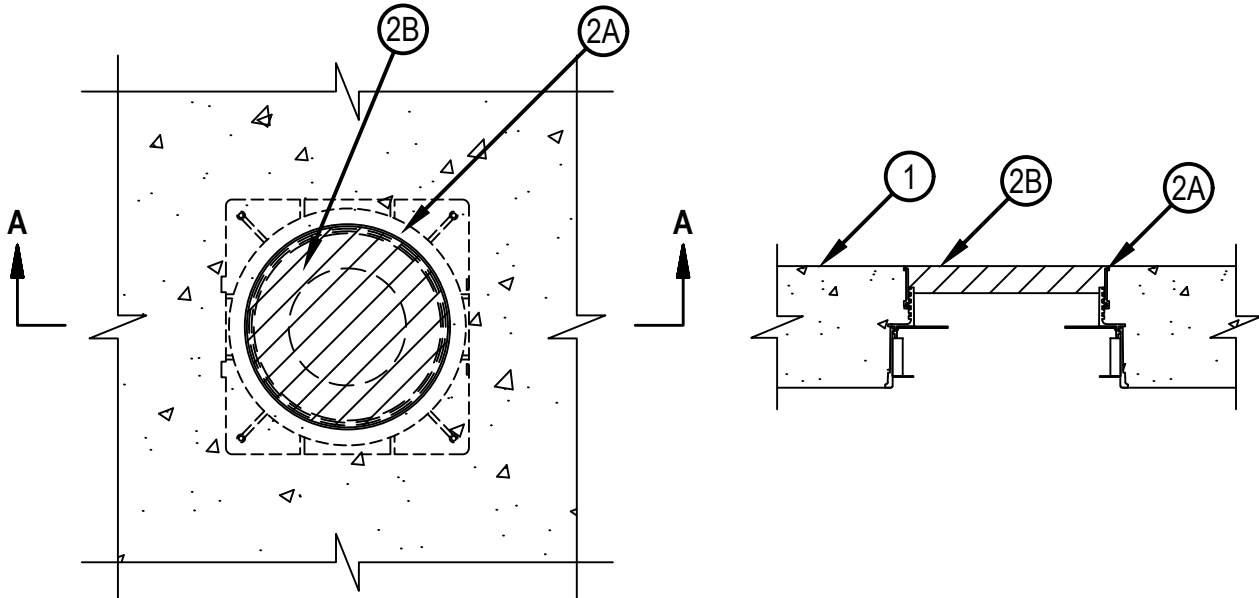


Classified by
Underwriters Laboratories, Inc.
to UL 1479 and CAN/ULC-S115

System No. F-A-0048

FA 0048

ANSI/UL1479 (ASTM E814)	CAN/ULC S115
F Rating — 3 Hr	F Rating — 3 Hr
T Rating — 0, 2-1/2 and 3 Hr (See Item 2)	FT Rating — 0, 2-1/2 and 3 Hr (See Item 2)
	FH Rating — 3 Hr
	FTH Rating — 2-1/2 and 3 Hr (See Item 2)



SECTION A-A

1. Floor Assembly — Min 4-1/2 in. (114 mm) thick reinforced lightweight or normal weight (100-150 pcf or 1600-2400 kg/m³) concrete.

2. Firestop System — The firestop system shall consist of the following:

A. Firestop Device* — Cast in place firestop device with optional accessories including sleeve extensions permanently embedded during concrete placement or grouted in concrete assembly in accordance with accompanying installation instructions with a max 2 in. (51 mm) projection above the top surface of the concrete. When CP618 Firestop Putty Stick (Item 2B) is used with the 2, 3, or 4 in. devices, the hourly T, FT and FTH Rating is 3 Hr. When the 6 in. device is used, the hourly T, FT, FTH Rating is 2-1/2 Hr. When mineral wool insulation (Item 2B1) is used within the firestop devices, the hourly T, FT, FTH Rating is 0 Hr for 4 and 6 in. devices and 3 hr for 2 and 3 in. devices.

HILTI CONSTRUCTION CHEMICALS, DIV OF HILTI INC — CFS-CID U 2", CFS-CID U 2" CA, CFS-CID U 3", CFS-CID U 4", CFS-CID U 6"

B. Fill, Void or Cavity Material* - Putty — Min 1 in. (25 mm) thickness of fill material applied within annulus flush with top surface of device sleeve.

HILTI CONSTRUCTION CHEMICALS, DIV OF HILTI INC — CP 618 Firestop Putty Stick

B1. Packing Material (Not Shown) — As an alternate to item 2B, min 4 in. (102 mm) thickness of min 4 pcf (64 kg/m³) mineral wool insulation firmly packed to the fullest extent possible within annulus flush with top surface of device.

* Indicates such products shall bear the UL or cUL Certification Mark for jurisdictions employing the UL or cUL Certification (such as Canada), respectively



Hilti Firestop Systems

Reproduced by HILTI, Inc. Courtesy of
Underwriters Laboratories, Inc.
September 19, 2023