

BOTTOM OF WALL JOINT : GYPSUM WALL ASSEMBLY

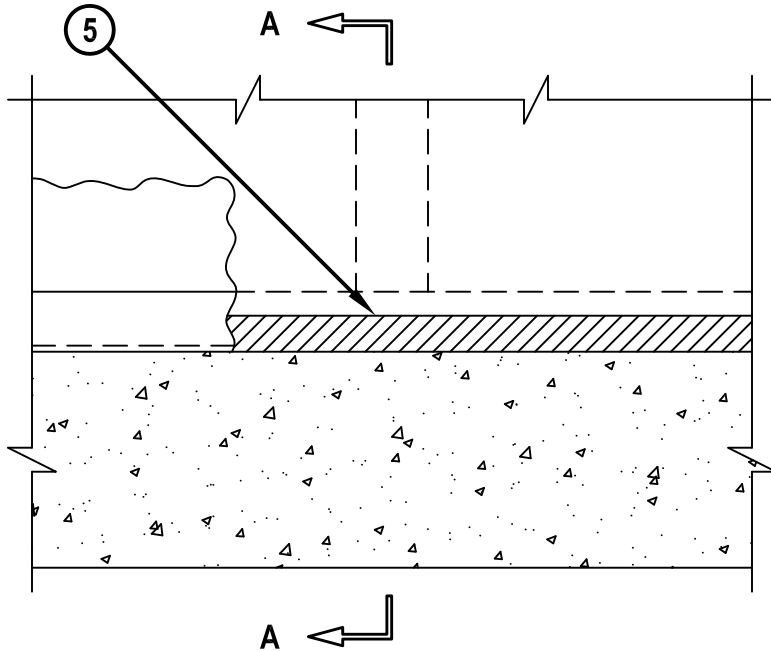
ASSEMBLY RATING = 1-HR. OR 2-HR. (DEPENDING ON RATING OF WALL AND FLOOR ASSEMBLY)

L-RATING AT AMBIENT = LESS THAN 1 CFM / LIN FT

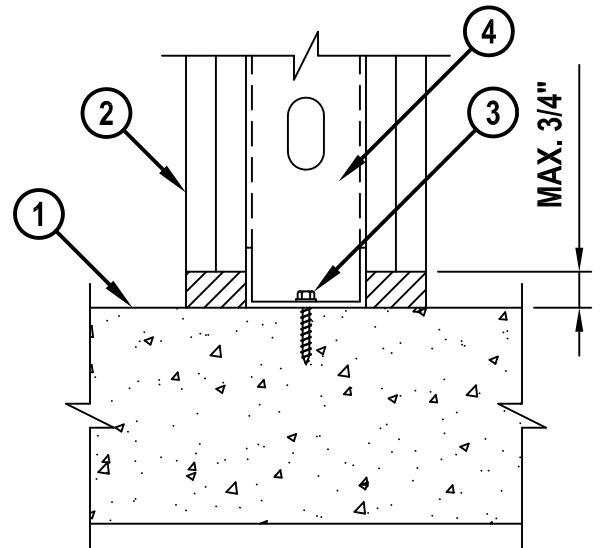
L-RATING AT 400° F = LESS THAN 1 CFM / LIN FT

BWS0001f.041316

FRONT VIEW



SECTION A-A



1. CONCRETE FLOOR ASSEMBLY (1-HR. OR 2-HR. FIRE-RATING) :
 - A. LIGHTWEIGHT OR NORMAL WEIGHT CONCRETE FLOOR ASSEMBLY (MIN. 4-1/2" THICK).
 - B. ANY UL/cUL CLASSIFIED PRE-CAST HOLLOW CORE CONCRETE FLOOR ASSEMBLY (MIN. 6" THICK).
2. GYPSUM WALL ASSEMBLY (UL/cUL CLASSIFIED U400 SERIES WALL) (1-HR. OR 2-HR. FIRE-RATING) (2-HR. SHOWN).
3. FLOOR RUNNER (MIN. 25 GA., 1-1/4" FLANGES) FASTENED TO TOP SURFACE OF CONCRETE FLOOR.
4. STEEL STUDS (MIN. 2-1/2" WIDE), NESTING IN AND RESTING ON FLOOR RUNNER.
5. HILTI CP 606 FLEXIBLE FIRESTOP SEALANT, HILTI FS-ONE MAX INTUMESCENT FIRESTOP SEALANT, OR HILTI CFS-S SIL GG FIRESTOP SILICONE SEALANT :
 - A. MINIMUM 5/8" DEPTH ON BOTH SIDES OF WALL, FOR A 1-HR. FIRE-RATING.
 - B. MINIMUM 1-1/4" DEPTH ON BOTH SIDES OF WALL, FOR A 2-HR. FIRE-RATING.



HILTI, Inc.
Plano, Texas USA (800) 879-8000

Sheet	1 of 1
Scale	1/4" = 1"
Date	Apr. 13, 2016

Drawing No.
**BWS
0001f**