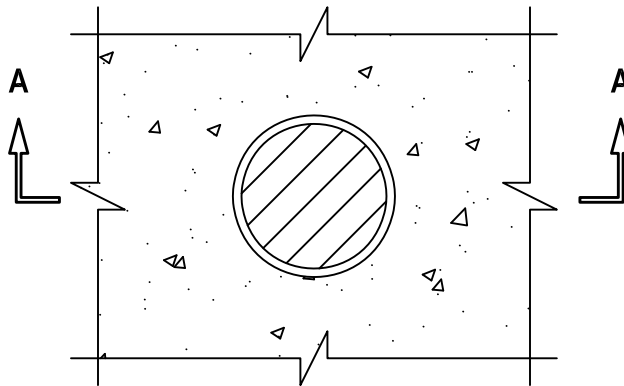


BLANK OPENING IN CONCRETE FLOOR/WALL OR BLOCK WALL ASSEMBLY

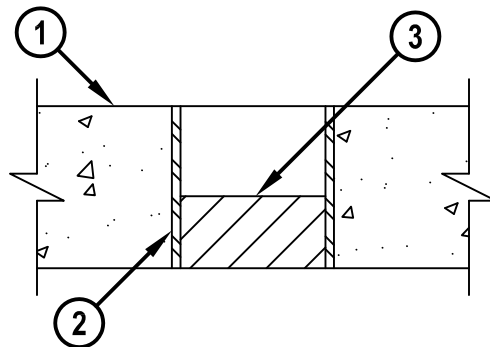
F-RATING = 3-HR.
T-RATING = 0-HR.

CAJ0055f.041316

TOP VIEW



SECTION A-A



1. CONCRETE FLOOR OR WALL ASSEMBLY (3-HR. FIRE-RATING) :
 - A. LIGHTWEIGHT OR NORMAL WEIGHT CONCRETE FLOOR OR WALL (MINIMUM 4-1/2" THICK).
 - B. ANY UL/cUL CLASSIFIED CONCRETE BLOCK WALL.
2. MAXIMUM 4" NOMINAL DIAMETER STEEL PIPE SLEEVE (SCHEDULE 40 OR HEAVIER) MAY EXTEND MAXIMUM 3" ABOVE THE TOP SURFACE OF FLOOR.
3. HILTI CFS-BL FIRESTOP BLOCK (2" DEEP, REFERENCE: SECTION A-A).

NOTES : 1. MAXIMUM DIAMETER OF OPENING = 4".
 2. HILTI CFS-BL FIRESTOP BLOCKS SHOULD BE CUT 1/2" LARGER THAN INSIDE DIAMETER OF OPENING.
 3. HILTI CFS-BL FIRESTOP BLOCKS ARE REQUIRED ON BOTH SIDES OF A WALL.



HILTI, Inc.
Plano, Texas USA (800) 879-8000

| | |
|-------|---------------|
| Sheet | 1 of 1 |
| Scale | 3/16" = 1" |
| Date | Apr. 13, 2016 |

Drawing No.
**CAJ
0055f**