

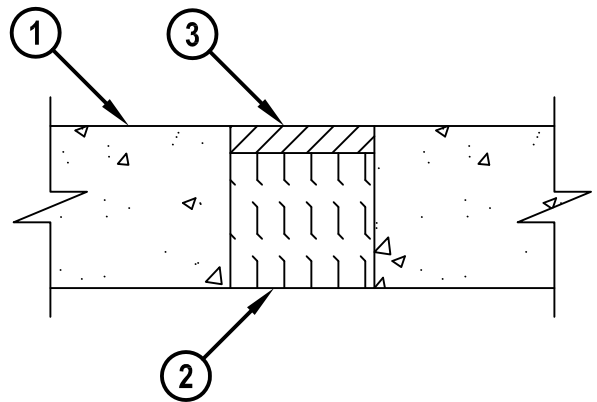
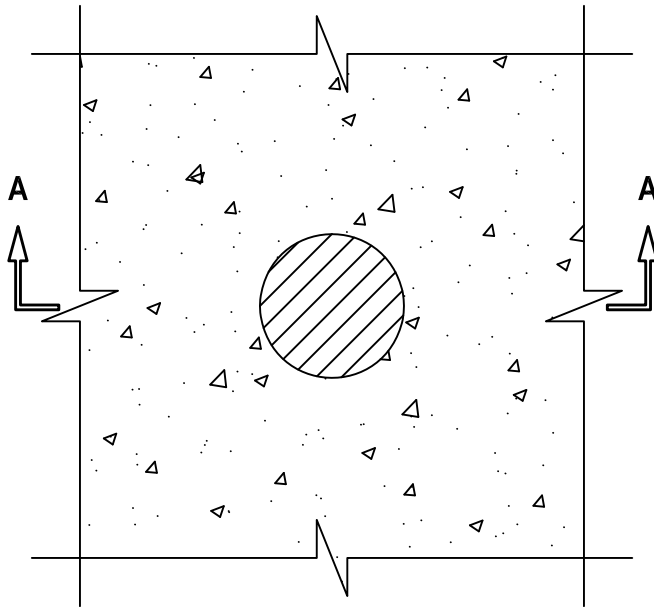
BLANK OPENING IN CONCRETE FLOOR/WALL OR BLOCK WALL ASSEMBLY

F-RATING = 3-HR.
T-RATING = 2 3/4-HR.

CAJ0058e.041316

TOP VIEW

SECTION A-A



- 1. CONCRETE FLOOR OR WALL ASSEMBLY (3-HR FIRE-RATING) :
 - A. LIGHTWEIGHT OR NORMAL WEIGHT CONCRETE FLOOR (MINIMUM 4-1/2" THICK).
 - B. LIGHTWEIGHT OR NORMAL WEIGHT CONCRETE WALL (MINIMUM 5-1/4" THICK).
 - C. ANY UL/cUL CLASSIFIED CONCRETE BLOCK WALL.
- 2. MINIMUM 3-3/4" THICKNESS MINERAL WOOL (MIN. 4 PCF DENSITY) TIGHTLY PACKED.
- 3. MINIMUM 3/4" DEPTH HILTI CP 618 FIRESTOP PUTTY STICK.

NOTES : 1. MAXIMUM DIAMETER OF OPENING = 4".
2. MINIMUM 3/4" DEPTH HILTI CP 618 FIRESTOP PUTTY STICK IS REQUIRED ON BOTH SIDES OF A WALL ASSEMBLY.



HILTI, Inc.
Plano, Texas USA (800) 872-8000

Sheet	1 of 1
Scale	3/16" = 1"
Date	Apr. 13, 2016

Drawing No.
CAJ
0058e