

UL/cUL SYSTEM NO. C-AJ-1150

METAL PIPE THROUGH CONCRETE FLOOR/WALL OR BLOCK WALL ASSEMBLY

F-RATING = 3-HR.

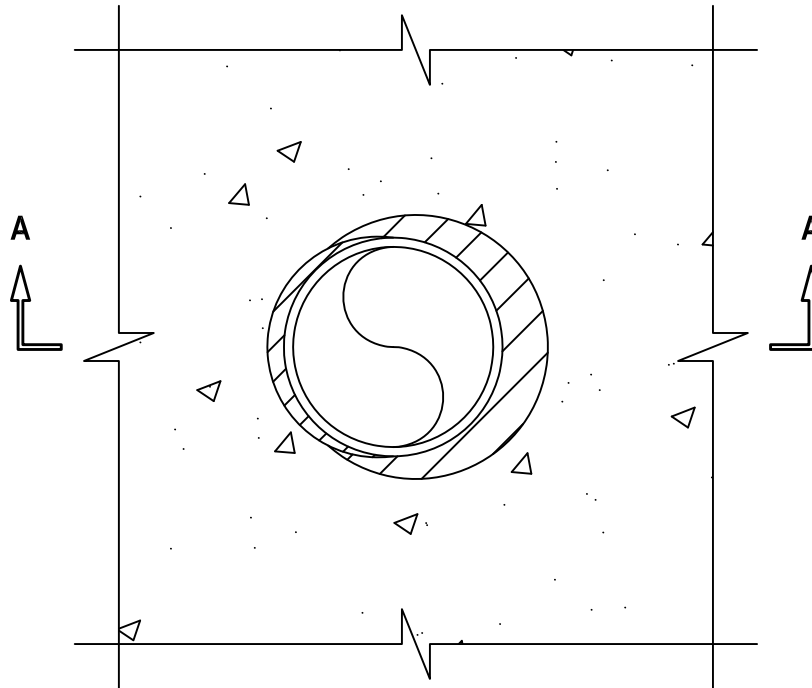
T-RATING = 0-HR.

L-RATING AT AMBIENT = LESS THAN 1 CFM / SQ FT

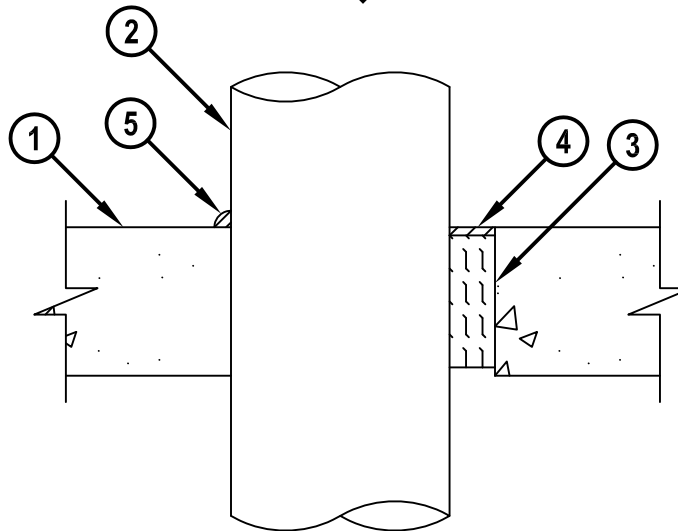
L-RATING AT 400° F = 4 CFM / SQ FT

W-RATING = CLASS I (SEE NOTE NO. 4 BELOW)

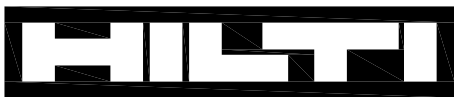
TOP VIEW



SECTION A-A



CAJ1150u.041316



Hilti Firestop Systems

HILTI, Inc.
Plano, Texas USA (800) 879-8000

| | |
|-------|---------------|
| Sheet | 1 of 2 |
| Scale | 11/64" = 1" |
| Date | Apr. 13, 2016 |

Drawing No.

CAJ
1150u

Saving Lives through Innovation and Education

METAL PIPE THROUGH CONCRETE FLOOR/WALL OR BLOCK WALL ASSEMBLY

F-RATING = 3-HR.

T-RATING = 0-HR.

L-RATING AT AMBIENT = LESS THAN 1 CFM / SQ FT

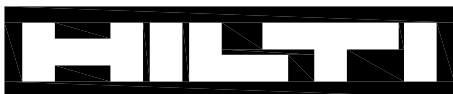
L-RATING AT 400° F = 4 CFM / SQ FT

W-RATING = CLASS I (SEE NOTE NO. 4 BELOW)

CAJ1150u.041316

1. CONCRETE FLOOR OR WALL ASSEMBLY (3-HR. FIRE-RATING) :
 - A. ANY LIGHTWEIGHT OR NORMAL WEIGHT CONCRETE FLOOR OR WALL (MINIMUM 4-1/2" THICK).
 - B. ANY UL/cUL CLASSIFIED CONCRETE BLOCK WALL.
2. PENETRATING ITEM TO BE ONE OF THE FOLLOWING :
 - A. MAXIMUM 6" NOMINAL DIAMETER STEEL PIPE (SCHEDULE 40 OR HEAVIER).
 - B. MAXIMUM 6" NOMINAL DIAMETER CAST IRON PIPE.
 - C. MAXIMUM 6" NOMINAL DIAMETER STEEL CONDUIT.
 - D. MAXIMUM 4" NOMINAL DIAMETER EMT.
3. MINIMUM 4" THICKNESS MINERAL WOOL (MIN. 4 PCF DENSITY) TIGHTLY PACKED AND RECESSED TO ACCOMMODATE FIRESTOP SEALANT.
4. MINIMUM 1/4" DEPTH HILTI FS-ONE MAX INTUMESCENT FIRESTOP SEALANT, HILTI CP 606 FLEXIBLE FIRESTOP SEALANT, HILTI CFS-S SIL GG FIRESTOP SILICONE SEALANT, OR HILTI CFS-S SIL SL FIRESTOP SILICONE SEALANT.
5. MINIMUM 1/2" BEAD HILTI FS-ONE MAX INTUMESCENT FIRESTOP SEALANT, HILTI CP 606 FLEXIBLE FIRESTOP SEALANT, OR HILTI CFS-S SIL GG FIRESTOP SILICONE SEALANT APPLIED AT POINT OF CONTACT (NOT REQUIRED WHEN HILTI CFS-S SIL SL FIRESTOP SILICONE SEALANT IS USED, ITEM NO. 4).

NOTES : 1. MAXIMUM DIAMETER OF OPENING = 8".
 2. ANNULAR SPACE = MINIMUM 0", MAXIMUM 1-3/8".
 3. MINIMUM 1/4" DEPTH HILTI FS-ONE MAX INTUMESCENT FIRESTOP SEALANT, HILTI CP 606 FLEXIBLE FIRESTOP SEALANT, OR HILTI CFS-S SIL GG FIRESTOP SILICONE SEALANT IS REQUIRED ON BOTH SIDES OF A WALL ASSEMBLY.
 4. W-RATING APPLIES ONLY WHEN HILTI CFS-S SIL GG FIRESTOP SILICONE SEALANT OR HILTI CFS-S SIL SL FIRESTOP SILICONE SEALANT IS USED.



Hilti Firestop Systems

HILTI, Inc.
 Plano, Texas USA (800) 879-8000

| | |
|-------|---------------|
| Sheet | 2 of 2 |
| Scale | - |
| Date | Apr. 13, 2016 |

Drawing No.

**CAJ
1150u**