

STEEL PIPE THROUGH CONCRETE FLOOR/WALL OR BLOCK WALL ASSEMBLY

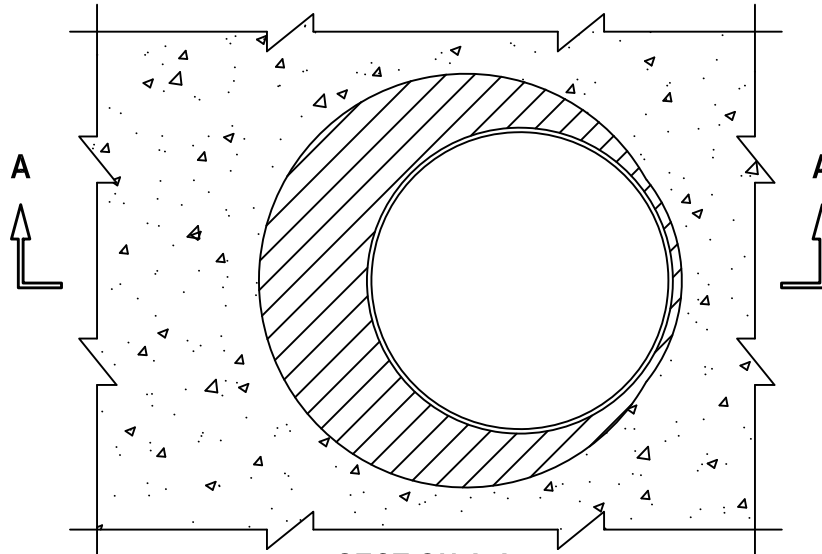
F-RATING = 3-HR.

T-RATING = 0-HR.

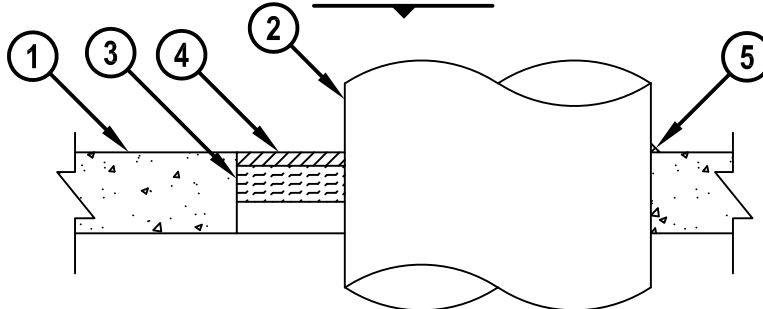
L-RATING AT AMBIENT = LESS THAN 1 CFM / SQ FT

L-RATING AT 400° F = 4 CFM / SQ FT

TOP VIEW



SECTION A-A



1. CONCRETE FLOOR OR WALL ASSEMBLY (3-HR FIRE-RATING) :
 - A. LIGHTWEIGHT OR NORMAL WEIGHT CONCRETE FLOOR OR WALL (MINIMUM 4-1/2" THICK).
 - B. ANY UL/cUL CLASSIFIED CONCRETE BLOCK WALL.
2. MAXIMUM 21" NOMINAL DIAMETER STEEL PIPE (SCHEDULE 10 OR HEAVIER).
3. MINIMUM 2" THICKNESS MINERAL WOOL (MIN. 4 PCF DENSITY) TIGHTLY PACKED.
4. MINIMUM 3/4" DEPTH HILTI FS-ONE MAX INTUMESCENT FIRESTOP SEALANT.
5. MINIMUM 1/2" BEAD HILTI FS-ONE MAX INTUMESCENT FIRESTOP SEALANT APPLIED AT POINT OF CONTACT.

NOTES : 1. MAXIMUM DIAMETER OF OPENING = 27".
 2. ANNULAR SPACE = MINIMUM 0", MAXIMUM 3".
 3. MINIMUM 3/4" DEPTH HILTI FS-ONE MAX INTUMESCENT FIRESTOP SEALANT IS REQUIRED ON BOTH SIDES OF WALL ASSEMBLY.
 4. FOR HOLLOW BLOCK WALLS, USE NO. 8 STEEL WIRE MESH TO AID IN THE INSTALLATION.

CAJ1156g.011819



HILTI, Inc.
 Plano, Texas USA (800) 879-8000

| | |
|-------|---------------|
| Sheet | 1 of 1 |
| Scale | 3/32" = 1" |
| Date | Jan. 18, 2019 |

Drawing No.
CAJ
1156g