

UL/cUL SYSTEM NO. C-AJ-1158

STEEL PIPE THROUGH CONCRETE FLOOR/WALL OR BLOCK WALL ASSEMBLY

F-RATING = 2-HR.

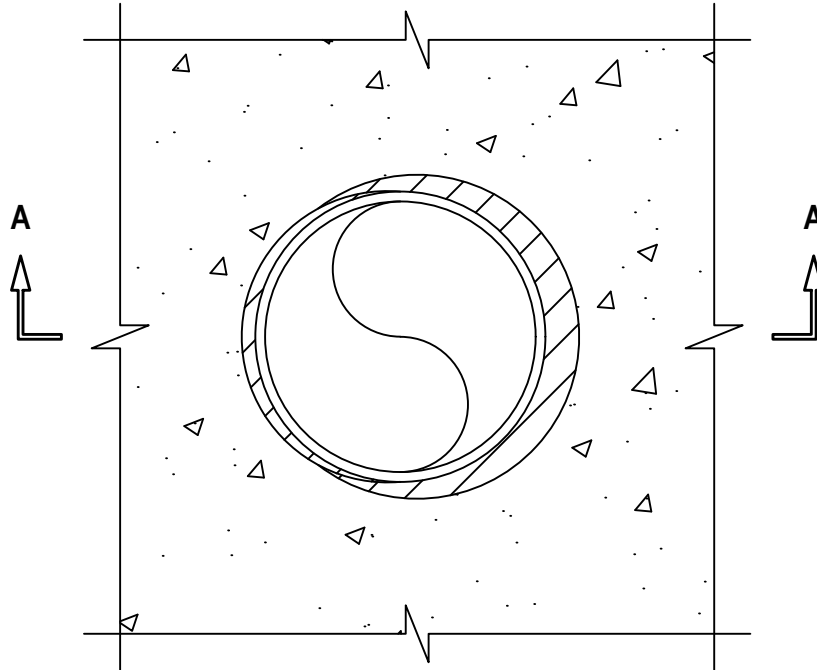
T-RATING = 0-HR.

L-RATING AT AMBIENT = LESS THAN 1 CFM / SQ FT

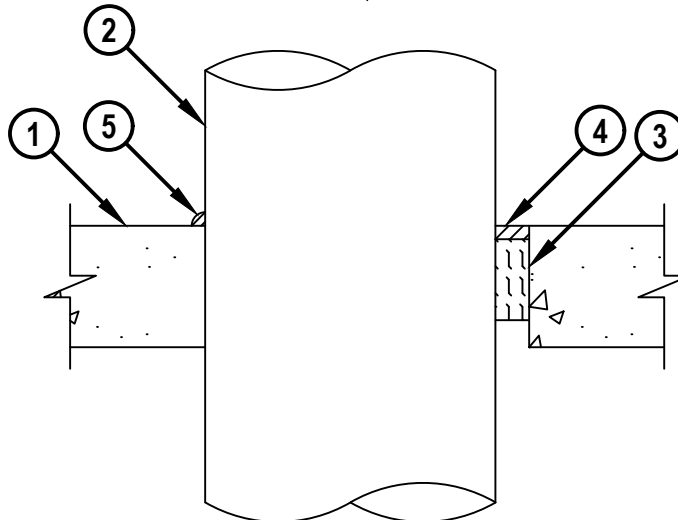
L-RATING AT 400° F = 4 CFM / SQ FT

W-RATING = CLASS I (SEE NOTE NO. 4 BELOW)

TOP VIEW



SECTION A-A



CAJ1158r.090617



Hilti Firestop Systems

HILTI, Inc.
Plano, Texas USA (800) 879-8000

Sheet	1 of 2
Scale	9/64" = 1"
Date	Sep. 06, 2017

Drawing No.

**CAJ
1158r**

Saving Lives through Innovation and Education

UL/cUL SYSTEM NO. C-AJ-1158

STEEL PIPE THROUGH CONCRETE FLOOR/WALL OR BLOCK WALL ASSEMBLY

F-RATING = 2-HR.

T-RATING = 0-HR.

L-RATING AT AMBIENT = LESS THAN 1 CFM / SQ FT

L-RATING AT 400° F = 4 CFM / SQ FT

W-RATING = CLASS I (SEE NOTE NO. 4 BELOW)

CAJ1158r.090617

1. CONCRETE FLOOR OR WALL ASSEMBLY (2-HR. FIRE-RATING) :
 - A. ANY LIGHTWEIGHT OR NORMAL WEIGHT CONCRETE FLOOR OR WALL (MINIMUM 4-1/2" THICK).
 - B. ANY UL/cUL CLASSIFIED CONCRETE BLOCK WALL.
2. PENETRATING ITEM TO BE ONE OF THE FOLLOWING :
 - A. MAXIMUM 10" NOMINAL DIAMETER STEEL PIPE (SCHEDULE 10 OR HEAVIER).
 - B. MAXIMUM 10" NOMINAL DIAMETER CAST OR DUCTILE IRON PIPE.
3. MINIMUM 3" THICKNESS MINERAL WOOL (MIN. 4 PCF DENSITY) TIGHTLY PACKED AND RECESSED TO ACCOMMODATE FIRESTOP SEALANT.
4. MINIMUM 1/2" DEPTH HILTI FS-ONE MAX INTUMESCENT FIRESTOP SEALANT, HILTI CP 606 FLEXIBLE FIRESTOP SEALANT, HILTI CFS-S SIL GG FIRESTOP SILICONE SEALANT, OR HILTI CFS-S SIL SL FIRESTOP SILICONE SEALANT.
5. MINIMUM 1/2" BEAD HILTI FS-ONE MAX INTUMESCENT FIRESTOP SEALANT, HILTI CP 606 FLEXIBLE FIRESTOP SEALANT, OR HILTI CFS-S SIL GG FIRESTOP SILICONE SEALANT APPLIED AT POINT OF CONTACT (NOT REQUIRED WHEN HILTI CFS-S SIL SL FIRESTOP SILICONE SEALANT IS USED, ITEM 4).

NOTES : 1. MAXIMUM DIAMETER OF OPENING = 12".
2. ANNULAR SPACE = MINIMUM 0", MAXIMUM 1-1/4".
3. MINIMUM 1/2" DEPTH HILTI FS-ONE MAX INTUMESCENT FIRESTOP SEALANT, HILTI CP 606 FLEXIBLE FIRESTOP SEALANT, OR HILTI CFS-S SIL GG FIRESTOP SILICONE SEALANT IS REQUIRED ON BOTH SIDES OF A WALL ASSEMBLY.
4. W-RATING APPLIES ONLY WHEN HILTI CFS-S SIL GG FIRESTOP SILICONE SEALANT, HILTI CFS-S SIL SL FIRESTOP SILICONE SEALANT, OR HILTI FS-ONE MAX INTUMESCENT FIRESTOP SEALANT IS USED.



HILTI, Inc.
Plano, Texas USA (800) 879-8000

Sheet	2 of 2
Scale	-
Date	Sep. 06, 2017

Drawing No.

**CAJ
1158r**

Saving Lives through Innovation and Education