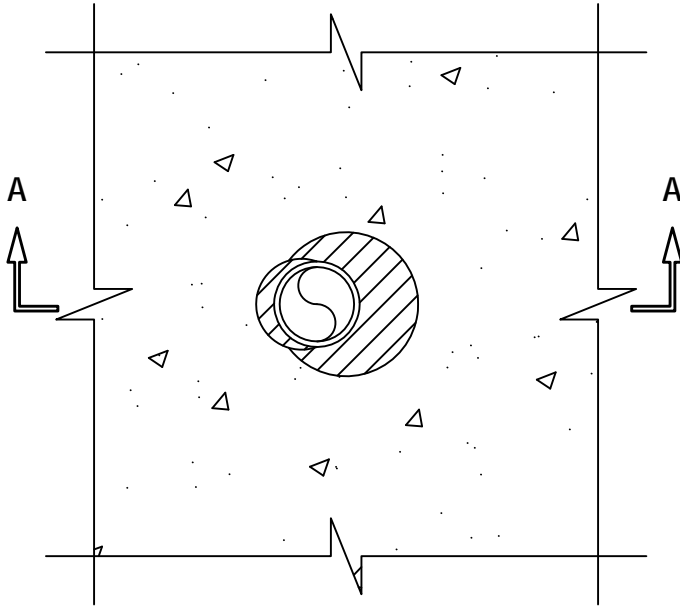


METAL PIPE THROUGH CONCRETE FLOOR/WALL OR BLOCK WALL ASSEMBLY

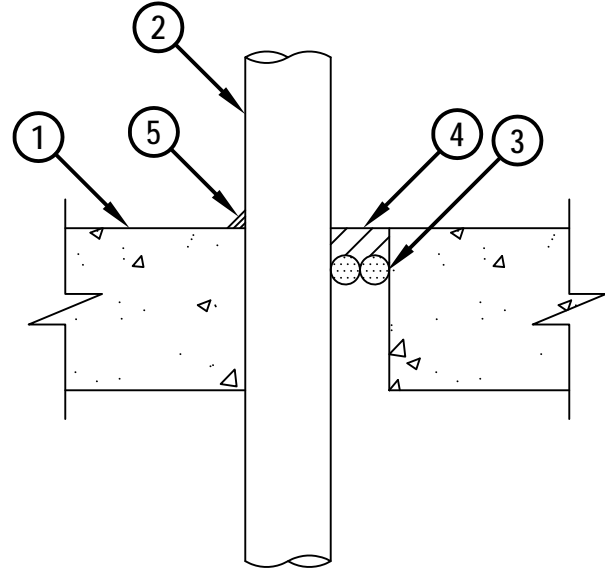
F-RATING = 3-HR.
T-RATING = 1/2-HR.

CAJ1277d.050112

TOP VIEW



SECTION A-A



1. CONCRETE FLOOR OR WALL ASSEMBLY (3-HR FIRE-RATING) :
 - A. LIGHTWEIGHT OR NORMAL WEIGHT CONCRETE FLOOR OR WALL (MINIMUM 4-1/2" THICK).
 - B. ANY UL/cUL CLASSIFIED CONCRETE BLOCK WALL.
2. PENETRATING ITEM TO BE ONE OF THE FOLLOWING :
 - A. MAXIMUM 2" NOMINAL DIAMETER STEEL PIPE (SCHEDULE 40 OR HEAVIER).
 - B. MAXIMUM 2" NOMINAL DIAMETER CAST IRON PIPE.
 - C. MAXIMUM 2" NOMINAL DIAMETER STEEL CONDUIT.
 - D. MAXIMUM 2" NOMINAL DIAMETER EMT.
3. HILTI CF-AS CJP OR CF 812 FILLER FOAM, MINERAL WOOL (MIN. 4 PCF DENSITY) OR BACKER ROD TO BE USED AS A BACKER.
4. MINIMUM 3/4" DEPTH HILTI CP 618 FIRESTOP PUTTY STICK.
5. MINIMUM 1/4" CROWN OF HILTI CP 618 FIRESTOP PUTTY STICK AT POINT OF CONTACT.

NOTES : 1. MAXIMUM DIAMETER OF OPENING = 4".
 2. ANNULAR SPACE = MINIMUM 0", MAXIMUM 1-13/16".
 3. MINIMUM 3/4" DEPTH HILTI CP 618 FIRESTOP PUTTY STICK IS REQUIRED ON BOTH SIDES OF A WALL ASSEMBLY.



HILTI, Inc.
Tulsa, Oklahoma USA (800) 879-8000

Sheet	1 of 1
Scale	3/16" = 1"
Date	May 01, 2012

Drawing No.
**CAJ
1277d**