

METAL PIPE THROUGH CONCRETE FLOOR/WALL OR BLOCK WALL

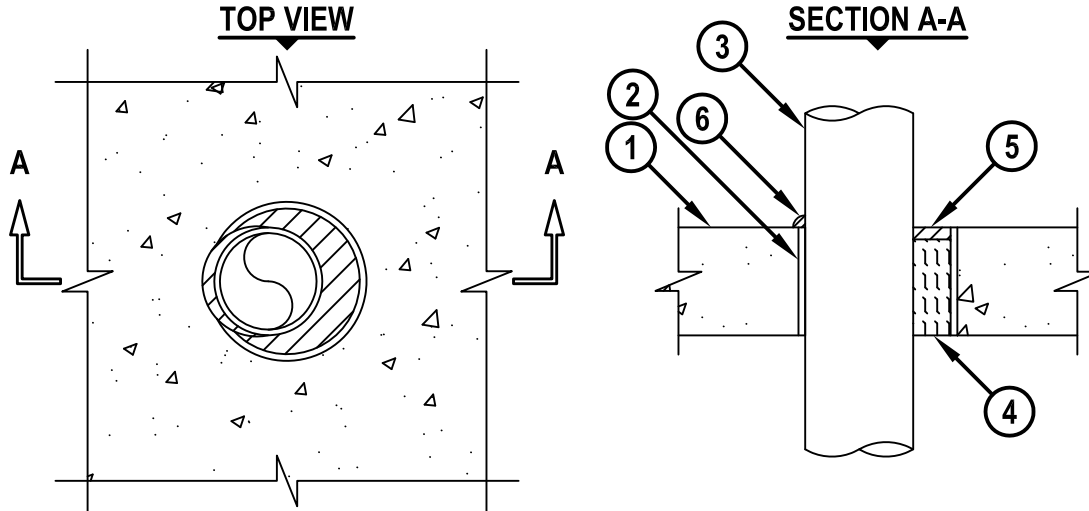
F-RATING = 2-HR.

T-RATING = 0-HR.

L-RATING AT AMBIENT = LESS THAN 1 CFM / SQ FT

L-RATING AT 400°F = 4 CFM / SQ FT

W-RATING = CLASS I (SEE NOTE NO. 3 BELOW)



CAJ1609d.032815

1. CONCRETE FLOOR OR WALL ASSEMBLY (2-HR. FIRE-RATING) :
 - A. LIGHTWEIGHT OR NORMAL WEIGHT CONCRETE FLOOR OR WALL (MINIMUM 4-1/2" THICK).
 - B. ANY UL/cUL CLASSIFIED CONCRETE BLOCK WALL.
2. MAXIMUM 6" NOMINAL DIAMETER PVC PLASTIC PIPE SLEEVE (SCH 40) CAST OR GROUTED INTO FLOOR OR WALL.
3. PENETRATING ITEM TO BE ONE OF THE FOLLOWING :
 - A. MAXIMUM 4" NOMINAL DIAMETER STEEL PIPE (SCH 10 OR HEAVIER).
 - B. MAXIMUM 4" NOMINAL DIAMETER CAST OR DUCTILE IRON PIPE.
 - C. MAXIMUM 3" NOMINAL DIAMETER COPPER PIPE OR TUBING.
 - D. MAXIMUM 4" NOMINAL DIAMETER STEEL CONDUIT OR EMT.
4. MINIMUM 4" THICKNESS MINERAL WOOL (MIN. 4 PCF DENSITY) TIGHTLY PACKED AND RECESSED TO ACCOMMODATE SEALANT.
5. MINIMUM 1/2" DEPTH HILTI FS-ONE MAX OR FS-ONE INTUMESCENT FIRESTOP SEALANT OR HILTI CP 606 FLEXIBLE FIRESTOP SEALANT.
6. MINIMUM 1/2" BEAD HILTI FS-ONE MAX OR FS-ONE INTUMESCENT FIRESTOP SEALANT OR HILTI CP 606 FLEXIBLE FIRESTOP SEALANT APPLIED AT POINT OF CONTACT.

NOTES : 1. ANNULAR SPACE = MINIMUM 0", MAXIMUM 2-7/8".
 2. MINIMUM 1/2" DEPTH HILTI FS-ONE MAX OR FS-ONE INTUMESCENT FIRESTOP SEALANT OR HILTI CP 606 FLEXIBLE FIRESTOP SEALANT IS REQUIRED ON BOTH SIDES OF A WALL.
 3. W-RATING ONLY APPLIES WHEN FS-ONE MAX IS USED. FOR W-RATING AN ADDITIONAL FILM SHALL BE APPLIED OVER SLEEVE (WHEN USED) LAPPING MINIMUM 1/2" ONTO FLOOR.



HILTI, Inc.
 Tulsa, Oklahoma USA (800) 879-8000

Sheet	1 of 1
Scale	1/8" = 1"
Date	Mar. 28, 2015

Drawing No.
CAJ
1609d