

UL SYSTEM NO. C-AJ-2095

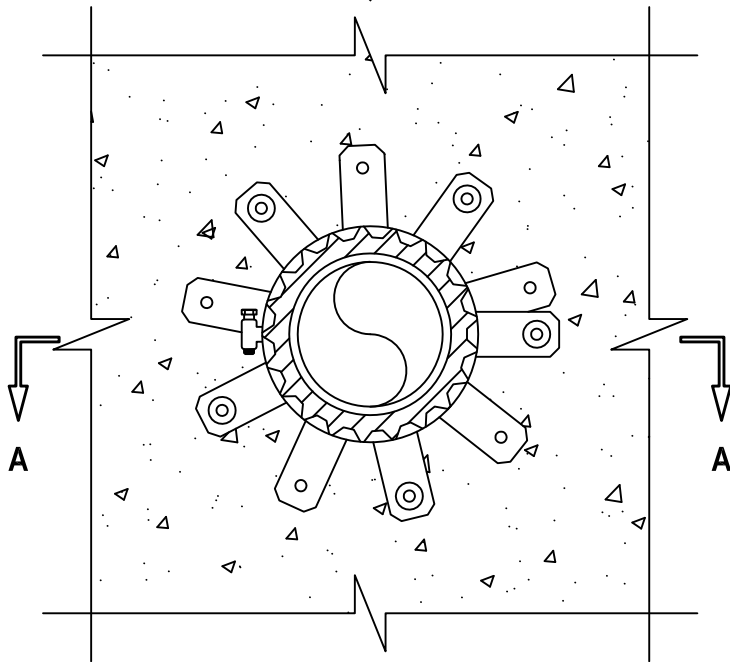
PLASTIC PIPE THROUGH CONCRETE FLOOR/WALL OR BLOCK WALL

F-RATING = 3-HR.

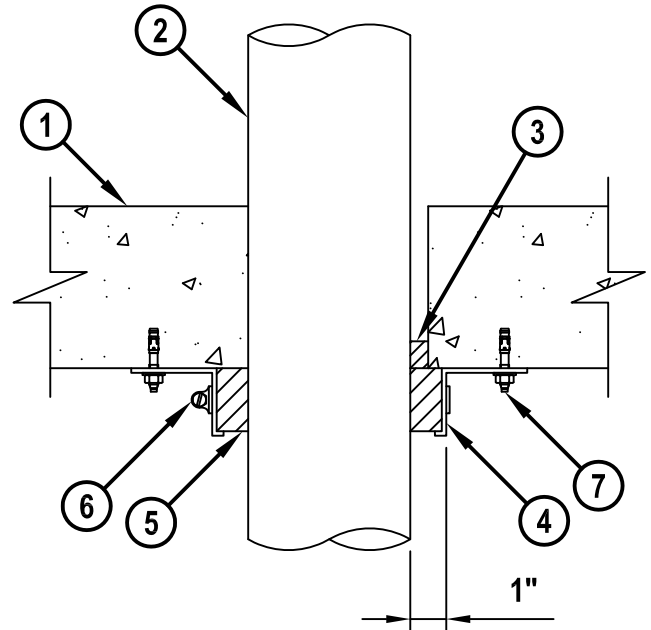
T-RATING = 2-1/2-HR.

CAJ2095n.041316

BOTTOM VIEW

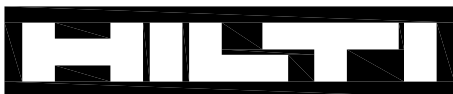


SECTION A-A



1. CONCRETE FLOOR OR WALL ASSEMBLY (3-HR. FIRE-RATING) :
 - A. LIGHTWEIGHT OR NORMAL WEIGHT CONCRETE FLOOR OR WALL (MINIMUM 4-1/2" THICK).
 - B. ANY UL CLASSIFIED CONCRETE BLOCK WALL.
2. PENETRATING ITEM TO BE ONE OF THE FOLLOWING :
 - A. MAXIMUM 4" NOMINAL DIAMETER PVC PLASTIC PIPE (SOLID CORE).
 - B. MAXIMUM 4' NOMINAL DIAMETER CPVC PLASTIC PIPE.
3. MINIMUM 1-1/2" DEPTH HILTI FS-ONE MAX INTUMESCENT FIRESTOP SEALANT APPLIED WITHIN THE ANNULAR SPACE.
4. HILTI RETAINING COLLAR WRAPPED AROUND PIPE, MAINTAINING A 1" DISTANCE BETWEEN PIPE AND COLLAR, AND OVERLAPPING MINIMUM 1" AT SEAM.
5. HILTI FS-ONE MAX INTUMESCENT FIRESTOP SEALANT TO COMPLETELY FILL HILTI RETAINING COLLAR.
6. NOMINAL 1/2" WIDE STAINLESS STEEL HOSE CLAMP(S) FASTENED TO MID-HEIGHT OF COLLAR.
7. EVERY OTHER TAB OF RETAINING COLLAR SECURED TO BOTTOM OF FLOOR WITH 1/4" x 1-3/4" LONG STEEL EXPANSION BOLTS OR 0.145 DIAMETER x 1-1/4" LONG POWDER ACTUATED FASTENERS IN CONJUNCTION WITH 1-7/16" DIAMETER STEEL WASHERS (EX. HILTI KWIK-BOLT 3, DX PINS).

NOTES : 1. MAXIMUM DIAMETER OF OPENING = 5".
2. ANNULAR SPACE = MINIMUM 0", MAXIMUM 1/2".
3. CLOSED OR VENTED PIPING SYSTEM (PVC = SCHEDULE 40; CPVC = SDR 17).
4. HILTI RETAINING COLLAR AND FS-ONE MAX ARE REQUIRED ON BOTH SIDES OF A WALL ASSEMBLY.



Hilti Firestop Systems

HILTI, Inc.
Plano, Texas USA (800) 879-8000

Sheet 1 of 1

Scale 3/16" = 1"

Date Apr. 13, 2016

Drawing No.

**CAJ
2095n**

Saving Lives through Innovation and Education