

UL SYSTEM NO. C-AJ-2098

**ENT THROUGH CONCRETE FLOOR/WALL OR BLOCK WALL ASSEMBLY**

F-RATING = 3-HR.

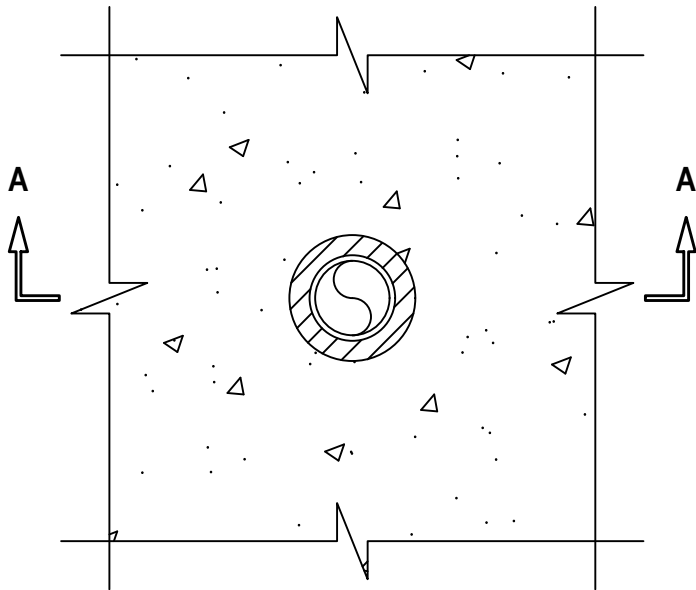
FT-RATING = 2-3/4-HR. OR 3-HR. (SEE NOTE NO. 4 BELOW)

L-RATING AT AMBIENT = LESS THAN 1 CFM / SQ FT

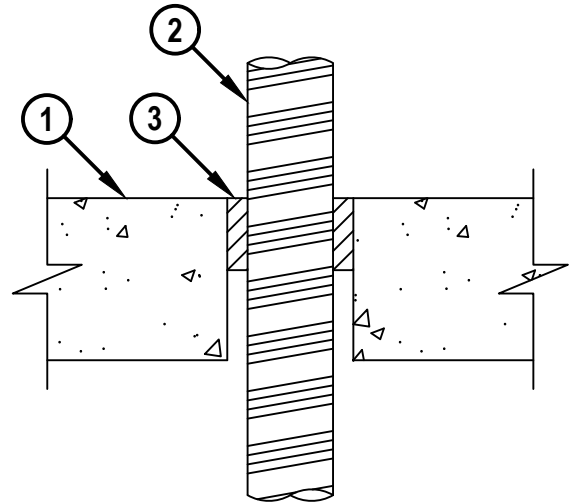
L-RATING AT 400°F = 4 CFM / SQ FT

CAJ2098f.112322

**TOP VIEW**



**SECTION A-A**



1. CONCRETE FLOOR OR WALL ASSEMBLY (3-HR. FIRE-RATING) :
  - A. LIGHTWEIGHT OR NORMAL WEIGHT CONCRETE FLOOR OR WALL (MINIMUM 4-1/2" THICK).
  - B. ANY UL CLASSIFIED CONCRETE BLOCK WALL.
2. MAXIMUM 2" NOMINAL DIAMETER ELECTRICAL NONMETALLIC TUBING (ENT).
3. MINIMUM 2" DEPTH HILTI FS-ONE MAX INTUMESCENT FIRESTOP SEALANT.
4. [OPTIONAL - NOT SHOWN] MINERAL WOOL (MIN. 4 PCF DENSITY) TIGHTLY PACKED AND RECESSED TO ACCOMMODATE SEALANT MAY BE USED AS A TEMPORARY BACKER FOR FIRESTOP SEALANT.

**NOTES :** 1. MAXIMUM WIDTH OF JOINT = 3-1/2".  
2. ANNULAR SPACE = MINIMUM 5/16", MAXIMUM 9/16".  
3. MINIMUM 2" DEPTH HILTI FS-ONE MAX INTUMESCENT FIRESTOP SEALANT IS REQUIRED ON BOTH SIDES OF A WALL ASSEMBLY.  
4. WHEN MAXIMUM ANNULAR SPACE IS GREATER THAN 5/16", T-RATING IS 2-3/4-HR.



HILTI, Inc.  
Plano, Texas USA (800) 879-8000

Sheet	1 of 1
Scale	3/16" = 1"
Date	Nov. 23, 2022

Drawing No.  
**CAJ  
2098f**

*Saving Lives through Innovation and Education*