

UL SYSTEM NO. C-AJ-2110

PLASTIC PIPE THROUGH CONCRETE FLOOR/WALL OR BLOCK WALL

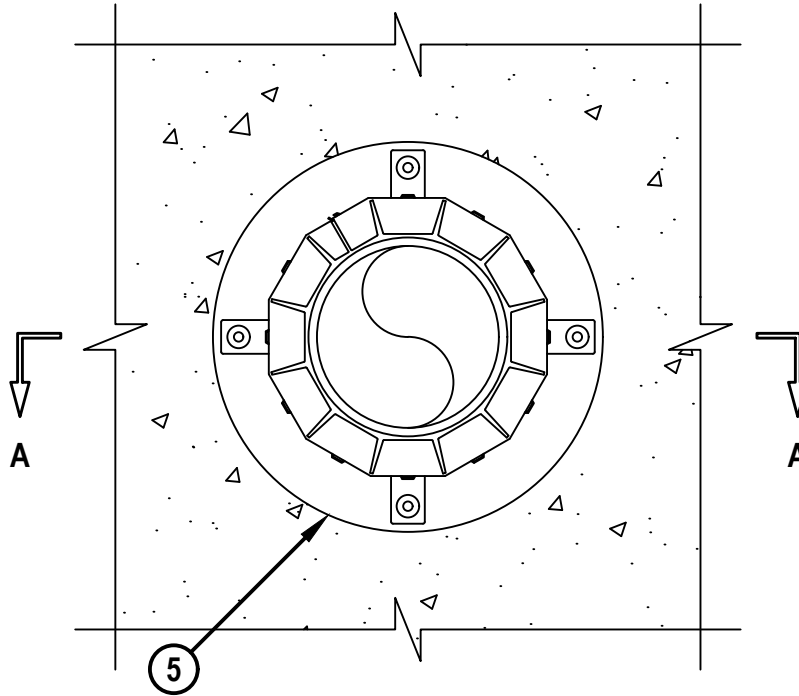
F-RATING = 3-HR.

T-RATING = 0-HR.

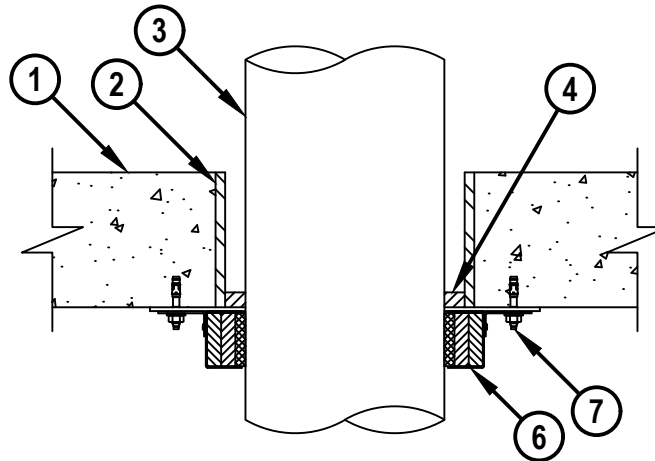
W-RATING = CLASS I (SEE NOTES NO. 6 AND 7 BELOW)

CAJ2110r.032922

BOTTOM VIEW



SECTION A-A



1. CONCRETE FLOOR OR WALL ASSEMBLY (3-HR. FIRE-RATING) :
 - A. LIGHTWEIGHT OR NORMAL WEIGHT CONCRETE FLOOR OR WALL (MINIMUM 4-1/2" THICK).
 - B. PRECAST (HOLLOW-CORE) CONCRETE FLOOR (MINIMUM 6" THICK).
 - C. ANY UL CLASSIFIED CONCRETE BLOCK WALL.
2. [OPTIONAL] MAXIMUM 8" NOMINAL DIAMETER STEEL PIPE SLEEVE (SCHEDULE 40 OR THINNER).



HILTI, Inc.
Plano, Texas USA (800) 879-8000

Sheet	1 of 2
Scale	5/32" = 1"
Date	Mar. 29, 2022

Drawing No.
**CAJ
2110r**

Saving Lives through Innovation and Education

PLASTIC PIPE THROUGH CONCRETE FLOOR/WALL OR BLOCK WALL

F-RATING = 3-HR.

T-RATING = 0-HR.

W-RATING = CLASS I (SEE NOTES NO. 6 AND 7 BELOW)

CAJ2110r-032922

3. PENETRATING ITEM TO BE ONE OF THE FOLLOWING (ALSO SEE NOTE NO. 3 BELOW) :
 - A. MAXIMUM 6" NOMINAL DIAMETER PVC PLASTIC PIPE (CELLULAR OR SOLID CORE).
 - B. MAXIMUM 6" NOMINAL DIAMETER ABS PLASTIC PIPE (CELLULAR OR SOLID CORE).
 - C. MAXIMUM 6" NOMINAL DIAMETER FRPP PLASTIC PIPE.
 - D. MAXIMUM 6" NOMINAL DIAMETER CPVC PLASTIC PIPE.
4. MINIMUM 1/2" DEPTH HILTI FS-ONE MAX INTUMESCENT FIRESTOP SEALANT, HILTI CP 606 FLEXIBLE FIRESTOP SEALANT, HILTI CFS-S SIL GG FIRESTOP SILICONE SEALANT, OR HILTI CFS-S SIL SL FIRESTOP SILICONE SEALANT (FLOORS ONLY) (SEE NOTE NO. 8 BELOW).
5. SHEET METAL COVER PLATE (MIN. 18 GA.) PLACED OVER OPENING PRIOR TO ATTACHING FIRESTOP COLLAR. COVER PLATE IS OPTIONAL WHEN ANNULAR SPACE IS 1/2" OR LESS (SEE NOTE NO. 4 BELOW).
6. HILTI CP 643N FIRESTOP COLLAR WITH FASTENING HOOKS (SEE TABLE BELOW).
7. EACH FASTENING HOOK SECURED TO BOTTOM OF FLOOR WITH 1/4" x 1-3/4" LONG STEEL EXPANSION BOLTS OR 1/4" x 1-1/4" LONG CONCRETE SCREW ANCHORS (EX. HILTI KWIK-BOLT 3, KWIK-CON II).
8. [NOT SHOWN] ADDITIONAL 1/4" BEAD HILTI FS-ONE MAX INTUMESCENT FIRESTOP SEALANT, OR HILTI CP 606 FLEXIBLE FIRESTOP SEALANT TO BE APPLIED BETWEEN CONCRETE AND COVER PLATE AND BETWEEN COVER PLATE AND HILTI CP 643N FIRESTOP COLLAR.

NOMINAL PIPE DIAMETER	PRODUCT DESCRIPTION	NO. OF FASTENING HOOKS
1-1/2"	CP 643 50/1.5" N	2
2"	CP 643 63/2" N	2
3"	CP 643 90/3" N	3
4"	CP 643 110/4" N	3
6"	CP 643 160/6" N	4

- NOTES :**
1. MAXIMUM DIAMETER OF OPENING = 8" FOR NORMAL CONCRETE, 7" FOR PRECAST (HOLLOW-CORE) CONCRETE.
 2. ANNULAR SPACE = MINIMUM 1/4", MAXIMUM 1-1/4".
 3. CLOSED OR VENTED PIPING SYSTEM (PVC, ABS, FRPP = SCHEDULE 40; CPVC = SDR 17).
 4. INSIDE DIAMETER OF COVER PLATE SHOULD BE MAXIMUM 1/4" LARGER THAN OUTSIDE DIAMETER OF PIPE. OUTSIDE DIAMETER OF COVER PLATE SHOULD BE MINIMUM 6" LARGER THAN OUTSIDE DIAMETER OF PIPE.
 5. HILTI CP 643N FIRESTOP COLLARS, SHEET METAL COVER PLATE, AND HILTI FIRESTOP SEALANT ARE REQUIRED ON BOTH SIDES OF A WALL ASSEMBLY.
 6. W-RATING DOES NOT APPLY IN SLEEVED OPENINGS OR IN HOLLOW-CORE FLOORS.
 7. W-RATING APPLIES ONLY WHEN THE PIPE DIAMETER IS 6" OR SMALLER, ANNULAR SPACE IS MINIMUM 0", MAXIMUM 1/2", AND HILTI CFS-S SIL GG FIRESTOP SILICONE SEALANT, OR HILTI CFS-S SIL SL FIRESTOP SILICONE SEALANT IS USED.
 8. HILTI CP 606 FLEXIBLE FIRESTOP SEALANT IS NOT SUITABLE FOR USE WITH CPVC PIPES.



HILTI, Inc.
Plano, Texas USA (800) 879-8000

Sheet	2 of 2
Scale	-
Date	Mar. 29, 2022

Drawing No.

**CAJ
2110r**