

UL SYSTEM NO. C-AJ-2118

# GLASS PIPE THROUGH CONCRETE FLOOR/WALL OR BLOCK WALL ASSEMBLY

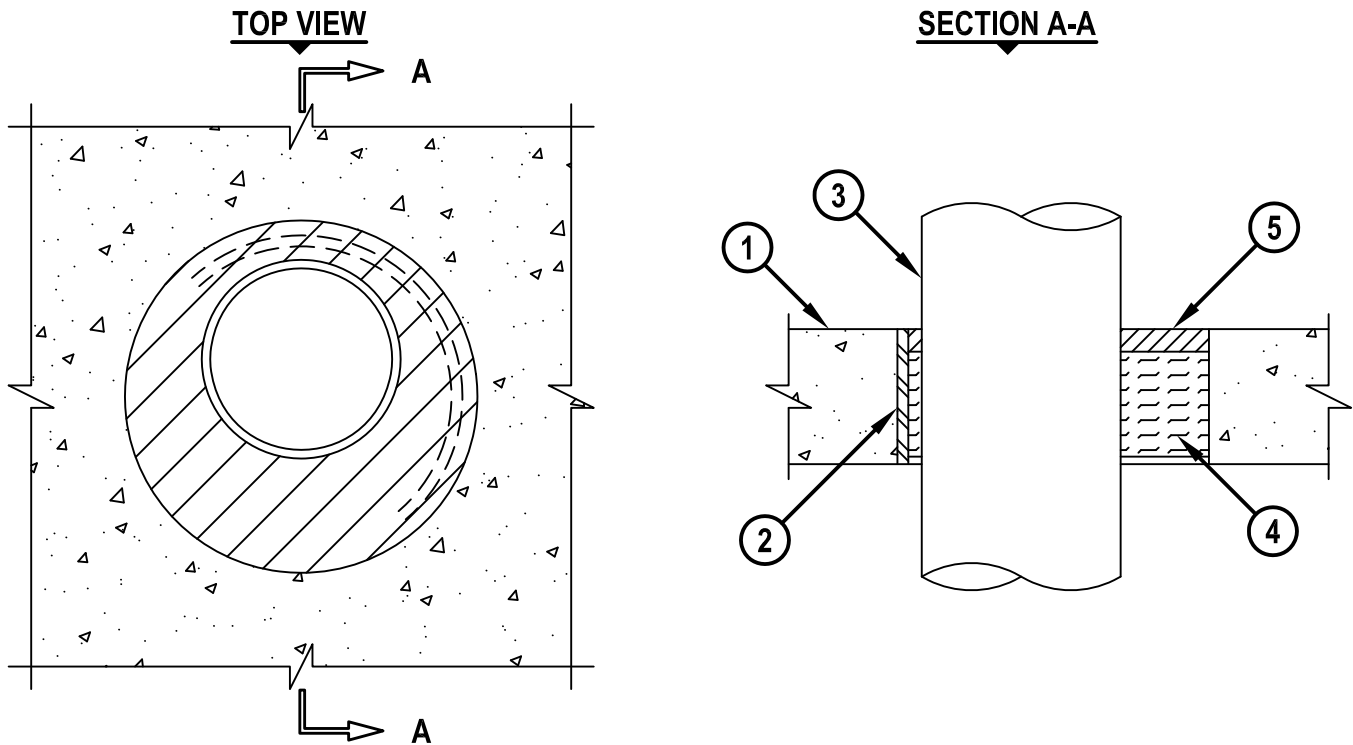
F RATING = 3-HR.

T RATING = 0-HR.

L RATING AT AMBIENT = LESS THAN 1 CFM / SQ FT

L RATING AT 400° F = 4 CFM / SQ FT

CAJ2118e.123014



1. CONCRETE FLOOR OR WALL ASSEMBLY (3-HR FIRE-RATING) :
  - A. LIGHTWEIGHT OR NORMAL WEIGHT CONCRETE FLOOR (MINIMUM 4-1/2" THICK).
  - B. LIGHTWEIGHT OR NORMAL WEIGHT CONCRETE WALL (MINIMUM 5" THICK).
  - C. ANY UL CLASSIFIED CONCRETE BLOCK WALL.
2. [OPTIONAL] MAXIMUM 10" NOMINAL DIAMETER STEEL PIPE SLEEVE (SCHEDULE 10 OR HEAVIER).
3. MAXIMUM 6" NOMINAL DIAMETER GLASS PIPE (CLOSED OR VENTED PIPING SYSTEM).
4. MINIMUM 3-1/2" THICKNESS MINERAL WOOL (MIN. 4 PCF DENSITY) TIGHTLY PACKED.
5. MINIMUM 3/4" DEPTH HILTI FS-ONE MAX OR FS-ONE INTUMESCENT FIRESTOP SEALANT.

NOTES : 1. ANNULAR SPACE = MINIMUM 1/4", MAXIMUM 3-1/2".  
2. MINIMUM 3/4" DEPTH HILTI FS-ONE MAX OR FS-ONE INTUMESCENT FIRESTOP SEALANT IS REQUIRED ON BOTH SIDES OF A WALL.



HILTI, Inc.  
Tulsa, Oklahoma USA (800) 879-8000

Sheet	1 of 1
Scale	5/32" = 1"
Date	Dec. 30, 2014

Drawing No.

**CAJ  
2118e**

*Saving Lives through Innovation and Education*