

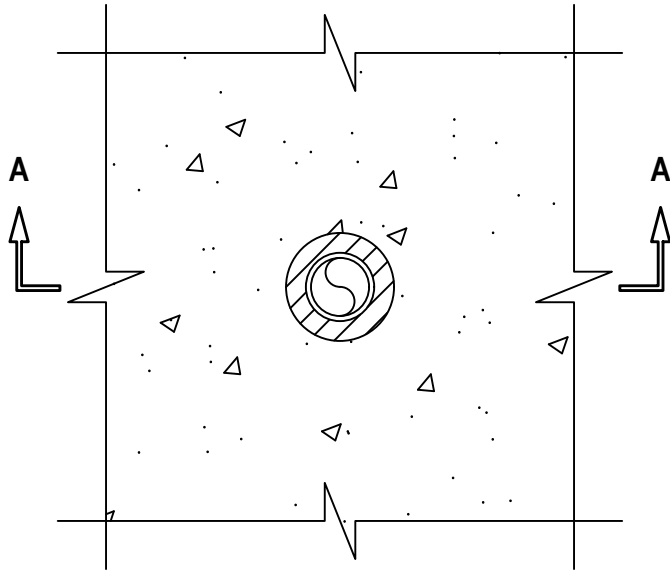
PLASTIC PIPE THROUGH CONCRETE FLOOR/WALL OR BLOCK WALL ASSEMBLY

F-RATING = 2-HR.

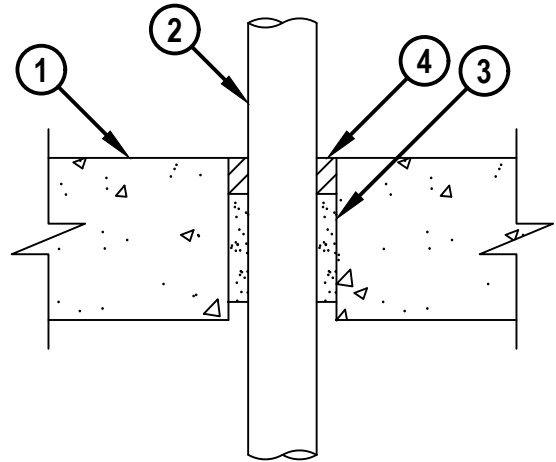
T-RATING = 0-HR.

CAJ2164f.082522

TOP VIEW



SECTION A-A



1. CONCRETE FLOOR OR WALL ASSEMBLY (2-HR. FIRE-RATING) :
 - A. LIGHTWEIGHT OR NORMAL WEIGHT CONCRETE FLOOR OR WALL (MINIMUM 4-1/2" THICK).
 - B. ANY UL CLASSIFIED CONCRETE BLOCK WALL ASSEMBLY.
2. PENETRATING ITEM TO BE ONE OF THE FOLLOWING :
 - A. MAXIMUM 1-1/2" NOMINAL DIAMETER PVC PLASTIC PIPE (SCHEDULE 40) (CELLULAR OR SOLID CORE) (CLOSED OR VENTED PIPING SYSTEM).
3. MINIMUM 3" DEPTH HILTI CF-AS CJP OR CF 812 FILLER FOAM RECESSED TO ACCOMMODATE FIRESTOP SEALANT.
4. MINIMUM 1" DEPTH HILTI FS-ONE MAX INTUMESCENT FIRESTOP SEALANT.

NOTES : 1. MAXIMUM DIAMETER OF OPENING = 3".
 2. ANNULAR SPACE = 9/16".
 3. MINIMUM 1" DEPTH HILTI FS-ONE MAX INTUMESCENT FIRESTOP SEALANT IS REQUIRED ON BOTH SIDES OF A WALL ASSEMBLY.



HILTI, Inc.
 Plano, Texas USA (800) 879-8000

Sheet	1 of 1
Scale	3/16" = 1"
Date	Aug. 25, 2022

Drawing No.
**CAJ
 2164f**