

UL SYSTEM NO. C-AJ-2168

**PLASTIC PIPE THROUGH CONCRETE FLOOR/WALL OR BLOCK WALL ASSEMBLY**

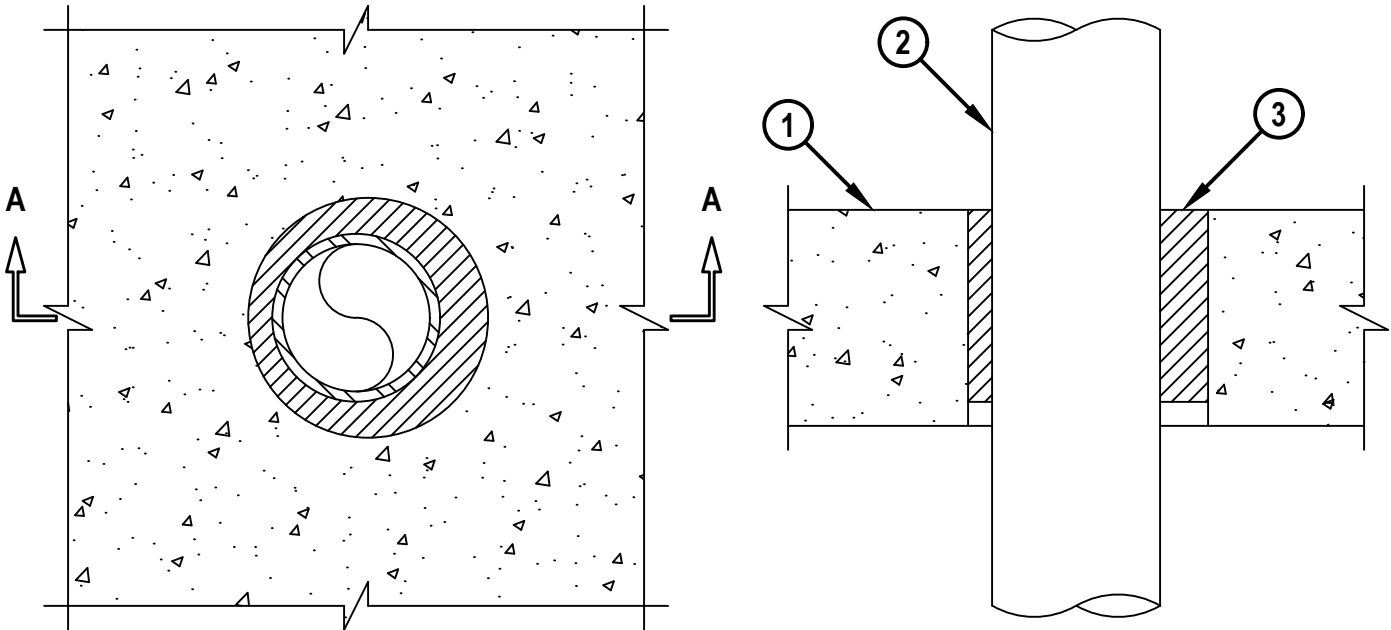
F-RATING = 2-HR. OR 3-HR. (SEE NOTE NO. 4 BELOW)

T-RATING = 0-HR.

CAJ2168e.020819

**TOP VIEW**

**SECTION A-A**



1. CONCRETE FLOOR OR WALL ASSEMBLY (2-HR. OR 3-HR. FIRE-RATING) :
  - A. LIGHTWEIGHT OR NORMAL WEIGHT CONCRETE FLOOR OR WALL (MINIMUM 4-1/2" THICK).
  - B. ANY UL CLASSIFIED CONCRETE BLOCK WALL.
2. MAXIMUM 3" NOMINAL DIAMETER PVC PLASTIC PIPE (SCHEDULE 40) (CLOSED OR VENTED PIPING SYSTEM).
3. MINIMUM 4" DEPTH HILTI FS-ONE MAX INTUMESCENT FIRESTOP SEALANT.

**NOTES :** 1. MAXIMUM SIZE OF OPENING = 5".  
2. ANNULAR SPACE = MINIMUM 1/2", MAXIMUM 1".  
3. MINIMUM 4" DEPTH HILTI FS-ONE MAX INTUMESCENT FIRESTOP SEALANT IS REQUIRED ON BOTH SIDES OF A WALL.  
4. WHEN NOMINAL PIPE DIAMETER IS 2" OR LESS, F-RATING IS 3-HR.  
WHEN NOMINAL DIAMETER IS GREATER THAN 2", F-RATING IS 2-HR.



HILTI, Inc.  
Plano, Texas USA (800) 879-8000

Sheet	1 of 1
Scale	1/4" = 1"
Date	Feb. 08, 2019

Drawing No.

**CAJ  
2168e**

*Saving Lives through Innovation and Education*