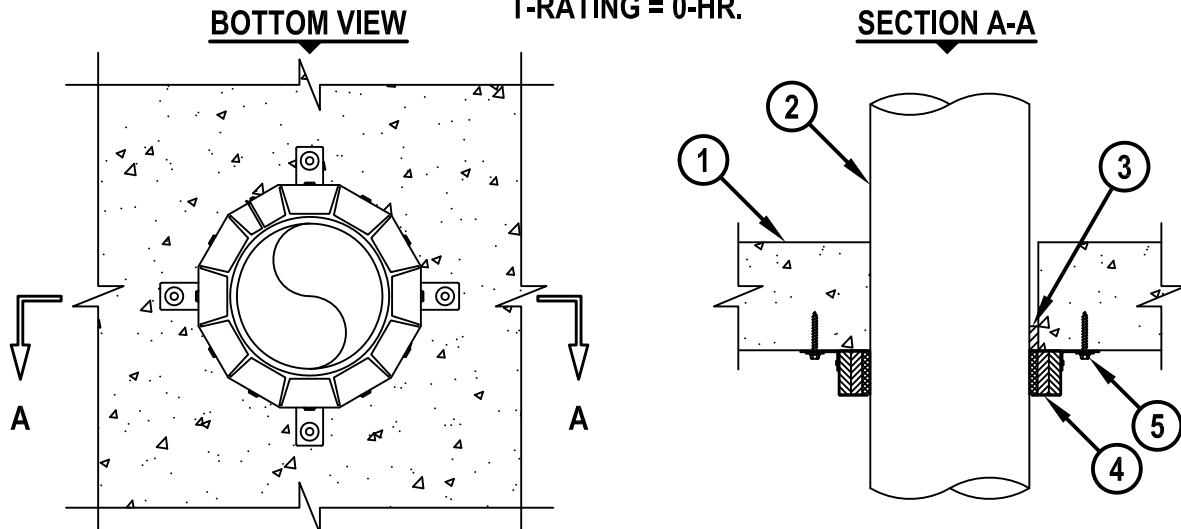


PLASTIC PIPE THROUGH CONCRETE FLOOR/WALL OR BLOCK WALL

F-RATING = 2-HR.
T-RATING = 0-HR.



1. CONCRETE FLOOR OR WALL ASSEMBLY (2-HR. FIRE-RATING) :
 - A. LIGHTWEIGHT OR NORMAL WEIGHT CONCRETE FLOOR OR WALL (MINIMUM 4-1/2" THICK).
 - B. ANY UL CLASSIFIED CONCRETE BLOCK WALL.
2. PENETRATING ITEM TO BE ONE OF THE FOLLOWING (SEE NOTE NO. 3 BELOW) :
 - A. MAXIMUM 6" NOMINAL DIAMETER PVDF PLASTIC PIPE.
 - B. MAXIMUM 4" NOMINAL DIAMETER PP PLASTIC PIPE.
3. MINIMUM 1" DEPTH HILTI FS-ONE MAX OR FS-ONE INTUMESCENT FIRESTOP SEALANT.
4. HILTI CP 643N FIRESTOP COLLAR WITH FASTENING HOOKS (SEE TABLE BELOW).
5. EACH FASTENING HOOK SECURED TO BOTTOM OF FLOOR WITH 1/4" x 1-1/4" LONG STEEL EXPANSION BOLTS, MIN. 0.145" x 1-1/4" POWDER ACTUATED FASTENERS WITH 1-7/16" DIAMETER STEEL WASHER, 1/4" x 1-1/4" HILTI KWIK-CON II+ CONCRETE SCREW ANCHOR, 1/4" x 1-3/4" HILTI KWIK-BOLT 3 STEEL EXPANSION ANCHOR, OR HILTI X-DNI 27 P8 S15 POWDER ACTUATED FASTENER WITH INTEGRATED WASHER.

NOMINAL PIPE DIAMETER	PRODUCT DESCRIPTION	NO. OF FASTENING HOOKS
1-1/2"	CP 643 50/1.5" N	2
2"	CP 643 63/2" N	2
3"	CP 643 90/3" N	3
4"	CP 643 110/4" N	3
6"	CP 643 160/6" N	4

NOTES : 1. MAXIMUM DIAMETER OF OPENING = 7".
 2. ANNULAR SPACE = MINIMUM 0", MAXIMUM 3/8".
 3. CLOSED OR VENTED PIPING SYSTEMS (PVDF = SDR 32.5; PP = SCHEDULE 40).
 4. HILTI CP 643N FIRESTOP COLLARS AND HILTI FS-ONE MAX OR FS-ONE INTUMESCENT FIRESTOP SEALANT ARE REQUIRED ON BOTH SIDES OF A WALL ASSEMBLY.



HILTI, Inc.
Tulsa, Oklahoma USA (800) 879-8000

Sheet	1 of 1
Scale	1/8" = 1"
Date	Dec. 30, 2014

Drawing No.
**CAJ
2217h**