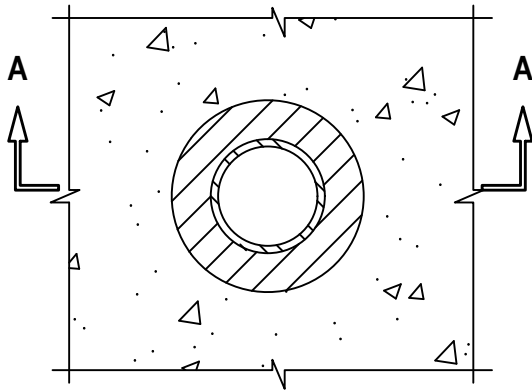


**PLASTIC PIPE THROUGH CONCRETE FLOOR/WALL OR BLOCK WALL ASSEMBLY**

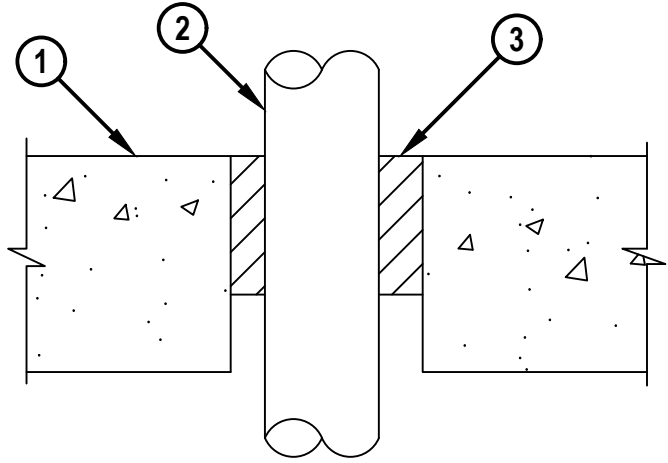
F-RATING = 3-HR.  
T-RATING = 0-HR.

CAJ2220c.113023

**TOP VIEW**



**SECTION A-A**



1. CONCRETE FLOOR OR WALL ASSEMBLY (3-HR. FIRE-RATING) :
  - A. LIGHTWEIGHT OR NORMAL WEIGHT CONCRETE FLOOR OR WALL (MINIMUM 4-1/2" THICK).
  - B. LIGHTWEIGHT OR NORMAL WEIGHT CONCRETE WALL (MINIMUM 5" THICK).
  - C. ANY UL CLASSIFIED CONCRETE BLOCK WALL.
2. PENETRATING ITEM TO BE ONE OF THE FOLLOWING (ALSO SEE NOTE NO. 3 BELOW) :
  - A. MAXIMUM 2" NOMINAL DIAMETER PVC PIPE (CELLULAR OR SOLID CORE).
  - B. MAXIMUM 2" NOMINAL DIAMETER ABS PLASTIC PIPE (CELLULAR OR SOLID CORE).
  - C. MAXIMUM 2" NOMINAL DIAMETER FRPP PLASTIC PIPE.
  - D. MAXIMUM 2" NOMINAL DIAMETER CPVC PLASTIC PIPE.
3. MINIMUM 2-1/2" DEPTH HILTI FS-ONE MAX INTUMESCENT FIRESTOP SEALANT.

**NOTES :** 1. MAXIMUM DIAMETER OF OPENING = 4".  
 2. ANNULAR SPACE = MINIMUM 1/2", MAXIMUM 1-1/8".  
 3. CLOSED OR VENTED PIPING SYSTEMS (PVC, ABS, FRPP = SCHEDULE 40; CPVC = SDR 17).  
 4. MINIMUM 2-1/2" DEPTH HILTI FS-ONE MAX INTUMESCENT FIRESTOP SEALANT IS REQUIRED ON BOTH SIDES OF A WALL ASSEMBLY.



HILTI, Inc.  
Plano, Texas USA (800) 879-8000

Sheet	1 of 1
Scale	1/4" = 1"
Date	Nov. 30, 2023

Drawing No.  
**CAJ  
2220c**