

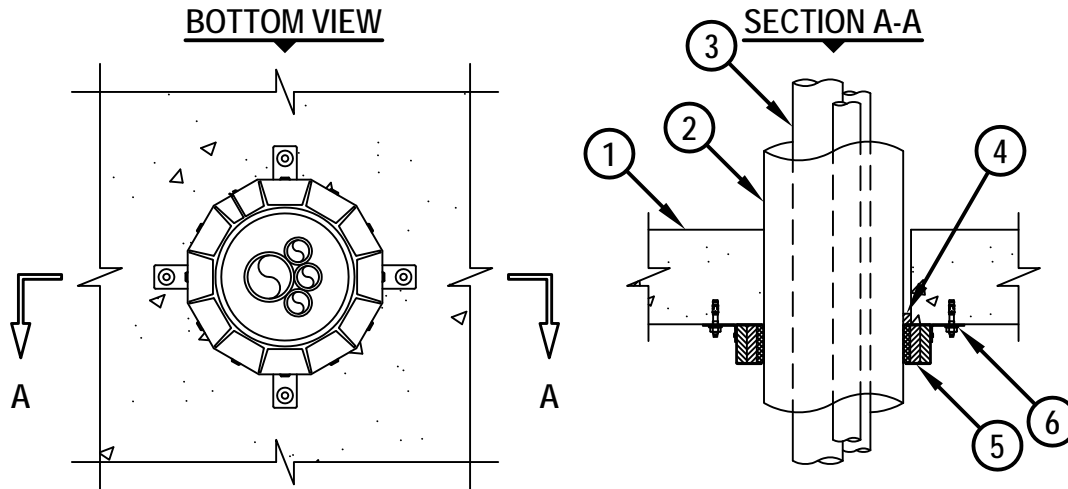
UL SYSTEM NO. C-AJ-2234

# DOUBLE-CONTAINED PLASTIC PIPES THROUGH CONCRETE FLOOR/WALL OR BLOCK WALL ASSEMBLY

F-RATING = 2-HR.

T-RATING = 2-HR.

W-RATING = CLASS I (SEE ITEM 4 BELOW)



CAJ2234g.041814

1. CONCRETE FLOOR OR WALL ASSEMBLY (2-HR. FIRE-RATING) :
  - A. LIGHTWEIGHT OR NORMAL WEIGHT CONCRETE FLOOR OR WALL (MINIMUM 4-1/2" THICK).
  - B. ANY UL CLASSIFIED CONCRETE BLOCK WALL.
2. NOMINAL 6" DIAMETER PVC PLASTIC PIPE (SCHEDULE 40) (SOLID CORE).
3. PIPE BUNDLE TO CONSIST OF THE FOLLOWING :
  - A. MAXIMUM 2" NOMINAL DIAMETER PVDF PLASTIC PIPE (MAX. QTY. = 1).
  - B. MAXIMUM 1" NOMINAL DIAMETER PVDF PLASTIC PIPE (MAX. QTY. = 3).
4. [OPTIONAL] MINIMUM 1/2" DEPTH HILTI CP 601S ELASTOMERIC FIRESTOP SEALANT, HILTI CFS-S SIL GG FIRESTOP SILICONE SEALANT, OR HILTI CFS-S SIL SL FIRESTOP SILICONE SEALANT (REQUIRED FOR W-RATING).
5. HILTI CP 643 160/6" N FIRESTOP COLLAR WITH FASTENING HOOKS.
6. EACH FASTENING HOOK SECURED TO BOTTOM OF FLOOR WITH 1/4" x 1-1/4" LONG STEEL EXPANSION BOLTS, MIN. 0.145" x 1-1/4" POWDER ACTUATED FASTENERS WITH 1-7/16" DIAMETER STEEL WASHER, 1/4" x 1-1/4" HILTI KWIK-CON II+ CONCRETE SCREW ANCHOR, 1/4" x 1-3/4" HILTI KWIK-BOLT 3 STEEL EXPANSION ANCHOR, OR HILTI X-DNI 27 P8 S15 POWDER ACTUATED FASTENER WITH INTEGRATED WASHER.

NOTES : 1. MAXIMUM DIAMETER OF OPENING = 7".  
2. ANNULAR SPACE = MINIMUM 0", MAXIMUM 1/2".  
3. CLOSED OR VENTED PIPING SYSTEM.  
4. HILTI CP 643N FIRESTOP COLLARS AND ARE REQUIRED ON BOTH SIDES OF A WALL ASSEMBLY.



HILTI, Inc.  
Tulsa, Oklahoma USA (800) 879-8000

|       |               |
|-------|---------------|
| Sheet | 1 of 1        |
| Scale | 7/64" = 1"    |
| Date  | Apr. 18, 2014 |

Drawing No.

**CAJ  
2234g**

***Saving Lives through Innovation and Education***