

UL SYSTEM NO. C-AJ-2271

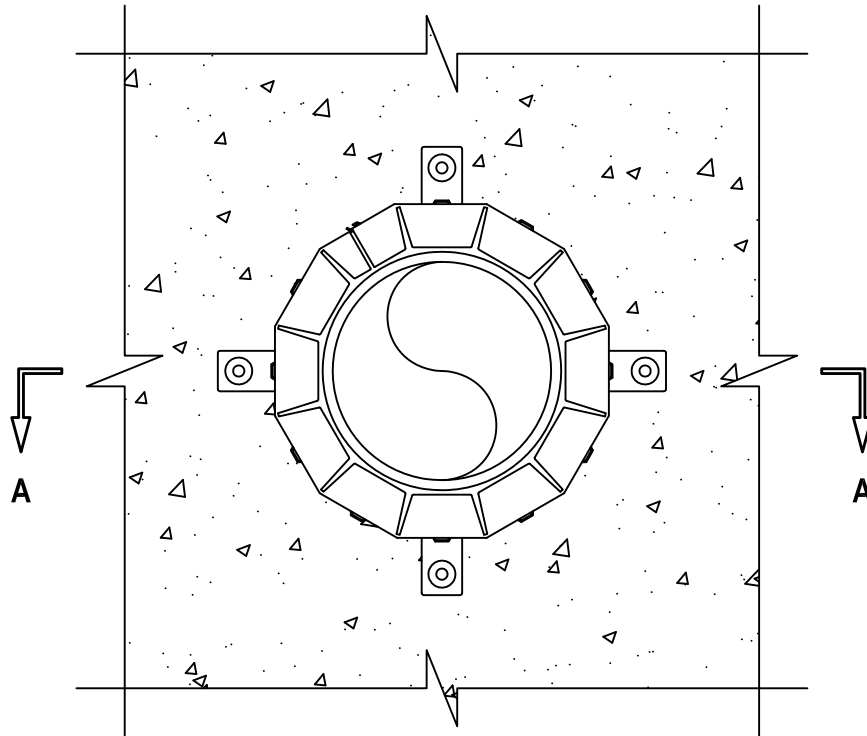
PLASTIC PIPE THROUGH CONCRETE FLOOR/WALL OR BLOCK WALL ASSEMBLY

F-RATING = 2-HR.

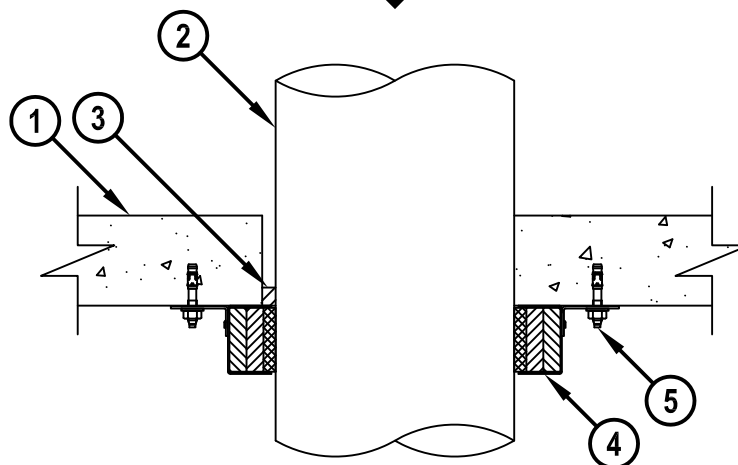
T-RATING = 1-HR.

W-RATING = CLASS I (SEE NOTE NO. 4 BELOW)

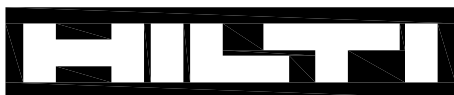
BOTTOM VIEW



SECTION A-A



CAJ2271j,011515



Hilti Firestop Systems

HILTI, Inc.
Tulsa, Oklahoma USA (800) 879-8000

Sheet	1 of 2
Scale	3/16" = 1"
Date	Jan. 15, 2015

Drawing No.

**CAJ
2271j**

Saving Lives through Innovation and Education

PLASTIC PIPE THROUGH CONCRETE FLOOR/WALL OR BLOCK WALL ASSEMBLY

F-RATING = 2-HR.
 T-RATING = 1-HR.
 W-RATING = CLASS I (SEE NOTE NO. 4 BELOW)

CAJ2271j,011515

1. CONCRETE FLOOR OR WALL ASSEMBLY (2-HR. FIRE-RATING) :
 - A. LIGHTWEIGHT OR NORMAL WEIGHT CONCRETE FLOOR OR WALL (MINIMUM 2-1/2" THICK).
 - B. ANY UL CLASSIFIED CONCRETE BLOCK WALL.
2. PENETRATING ITEM TO BE ONE OF THE FOLLOWING (ALSO SEE NOTE NO. 2 BELOW) :
 - A. MAXIMUM 6" NOMINAL DIAMETER PVC PLASTIC PIPE (CELLULAR AND SOLID CORE).
 - B. MAXIMUM 6" NOMINAL DIAMETER ABS PLASTIC PIPE (CELLULAR AND SOLID CORE).
 - C. MAXIMUM 6" NOMINAL DIAMETER FRPP PLASTIC PIPE.
 - D. MAXIMUM 6" NOMINAL DIAMETER CPVC PLASTIC PIPE (CLOSED PIPING SYSTEM).
3. MINIMUM 1/2" DEPTH HILTI FS-ONE MAX OR FS-ONE INTUMESCENT FIRESTOP SEALANT, HILTI CP 601S ELASTOMERIC FIRESTOP SEALANT, HILTI CP 604 SELF-LEVELING FIRESTOP SEALANT, HILTI CFS-S SIL GG FIRESTOP SILICONE SEALANT, OR HILTI CFS-S SIL SL FIRESTOP SILICONE SEALANT INSTALLED FLUSH WITH TOP OR BOTTOM SURFACE OF FLOOR.
4. HILTI CP 643N FIRESTOP COLLAR WITH FASTENING HOOKS (SEE TABLE BELOW).
5. EACH FASTENING HOOK SECURED TO BOTTOM OF FLOOR WITH 1/4" x 1-1/4" LONG STEEL EXPANSION BOLTS, MIN. 0.145" x 1-1/4" POWDER ACTUATED FASTENERS WITH 1-7/16" DIAMETER STEEL WASHER, 1/4" x 1-1/4" HILTI KWIK-CON II+ CONCRETE SCREW ANCHOR, 1/4" x 1-3/4" HILTI KWIK-BOLT 3 STEEL EXPANSION ANCHOR, OR HILTI X-DNI 27 P8 S15 POWDER ACTUATED FASTENER WITH INTEGRATED WASHER.

NOMINAL PIPE DIAMETER	PRODUCT DESCRIPTION	NO. OF FASTENING HOOKS	MAX. HOLE SIZE
1-1/2"	CP 643 50/1.5" N	2	2-1/8"
2"	CP 643 63/2" N	2	2-5/8"
3"	CP 643 90/3" N	3	4"
4"	CP 643 110/4" N	3	5"
6"	CP 643 160/6" N	4	7"

NOTES : 1. ANNULAR SPACE = MINIMUM 0", MAXIMUM 1/2".
 2. CLOSED OR VENTED PIPING SYSTEM (PVC, ABS, FRPP = SCHEDULE 40; CPVC = SDR 13.5).
 3. HILTI CP 643N FIRESTOP COLLARS AND HILTI FS-ONE MAX OR FS-ONE INTUMESCENT FIRESTOP SEALANT, HILTI CP 601S ELASTOMERIC FIRESTOP SEALANT, OR HILTI CFS-S SIL GG FIRESTOP SILICONE SEALANT ARE REQUIRED ON EACH SIDE OF A WALL.
 4. W-RATING APPLIES ONLY WHEN HILTI CP 601S ELASTOMERIC FIRESTOP SEALANT, HILTI CP 604 SELF-LEVELING FIRESTOP SEALANT, HILTI CFS-S SIL GG FIRESTOP SILICONE SEALANT, OR HILTI CFS-S SIL SL FIRESTOP SILICONE SEALANT IS USED.



HILTI, Inc.
 Tulsa, Oklahoma USA (800) 879-8000

Sheet	2 of 2
Scale	-
Date	Jan. 15, 2015

Drawing No.
CAJ
2271j