

UL SYSTEM NO. C-AJ-2272

FIBERGLASS PIPE THROUGH CONCRETE FLOOR/WALL OR BLOCK WALL

F-RATING = 2-HR.

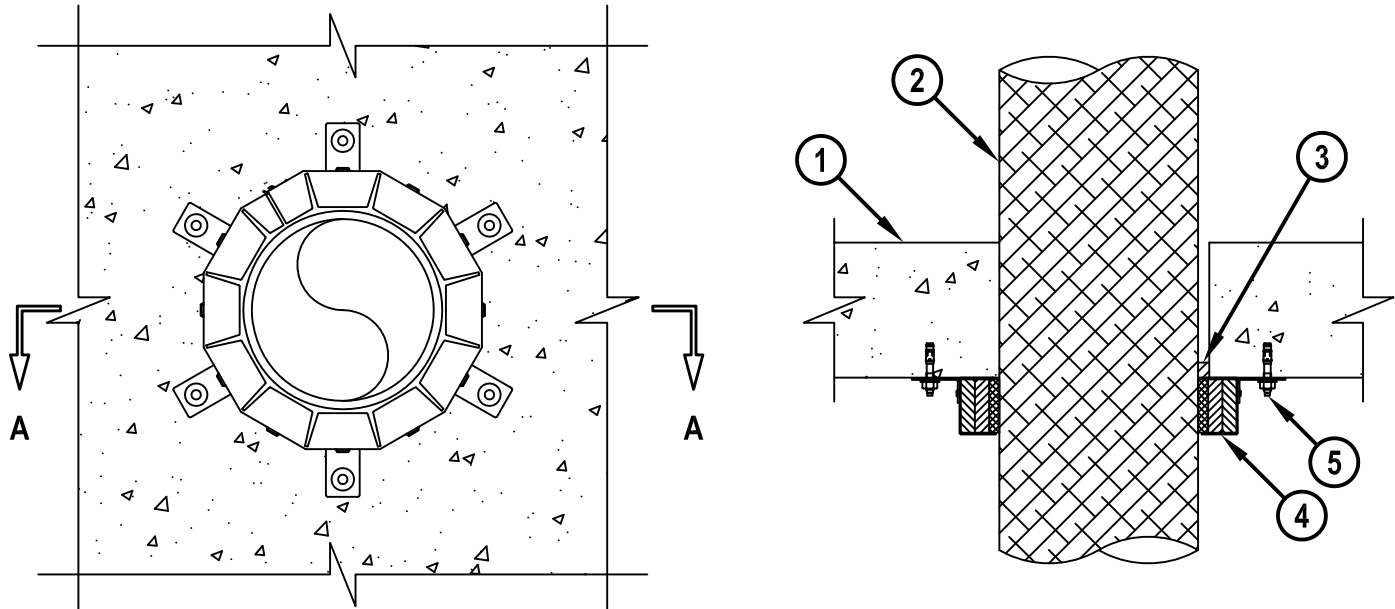
T-RATING = 1-HR.

W-RATING = CLASS I (SEE NOTE NO. 4 BELOW)

CAJ2272g.011515

BOTTOM VIEW

SECTION A-A



1. CONCRETE FLOOR OR WALL ASSEMBLY (2-HR. FIRE-RATING) :
 - A. LIGHTWEIGHT OR NORMAL WEIGHT CONCRETE FLOOR OR WALL (MINIMUM 4-1/2" THICK).
 - B. ANY UL CLASSIFIED CONCRETE BLOCK WALL.
2. MAXIMUM 6" NOMINAL DIAMETER FIBERGLASS REINFORCED PIPE (CLOSED OR VENTED PIPING SYSTEM).
3. MINIMUM 1/2" DEPTH HILTI FS-ONE MAX OR FS-ONE INTUMESCENT FIRESTOP SEALANT, HILTI CP 601S ELASTOMERIC FIRESTOP SEALANT, HILTI CFS-S SIL GG FIRESTOP SILICONE SEALANT, OR HILTI CFS-S SIL SL FIRESTOP SILICONE SEALANT.
4. HILTI CP 643 160/6" N FIRESTOP COLLAR WITH SIX FASTENING HOOKS.
5. EACH FASTENING HOOK SECURED TO BOTTOM OF FLOOR WITH 1/4" x 1-1/4" LONG STEEL EXPANSION BOLTS, MIN. 0.145" x 1-1/4" POWDER ACTUATED FASTENERS WITH 1-7/16" DIAMETER STEEL WASHER, 1/4" x 1-1/4" HILTI KWIK-CON II+ CONCRETE SCREW ANCHOR, 1/4" x 1-3/4" HILTI KWIK-BOLT 3 STEEL EXPANSION ANCHOR, OR HILTI X-DNI 27 P8 S15 POWDER ACTUATED FASTENER WITH INTEGRATED WASHER.

NOTES : 1. MAXIMUM DIAMETER OF OPENING = 7".
2. ANNULAR SPACE = MINIMUM 0", MAXIMUM 1/2".
3. HILTI CP 643N FIRESTOP COLLARS AND HILTI FS-ONE MAX OR FS-ONE INTUMESCENT FIRESTOP SEALANT, HILTI CP 601S ELASTOMERIC FIRESTOP SEALANT, OR HILTI CFS-S SIL GG FIRESTOP SILICONE SEALANT ARE REQUIRED ON BOTH SIDES OF A WALL.
4. W-RATING APPLIES ONLY WHEN HILTI CP 601S ELASTOMERIC FIRESTOP SEALANT, HILTI CFS-S SIL GG FIRESTOP SILICONE SEALANT, OR HILTI CFS-S SIL SL FIRESTOP SILICONE SEALANT IS USED.



HILTI, Inc.
Tulsa, Oklahoma USA (800) 879-8000

Sheet	1 of 1
Scale	5/32" = 1"
Date	Jan. 15, 2015

Drawing No.

**CAJ
2272g**

Saving Lives through Innovation and Education