

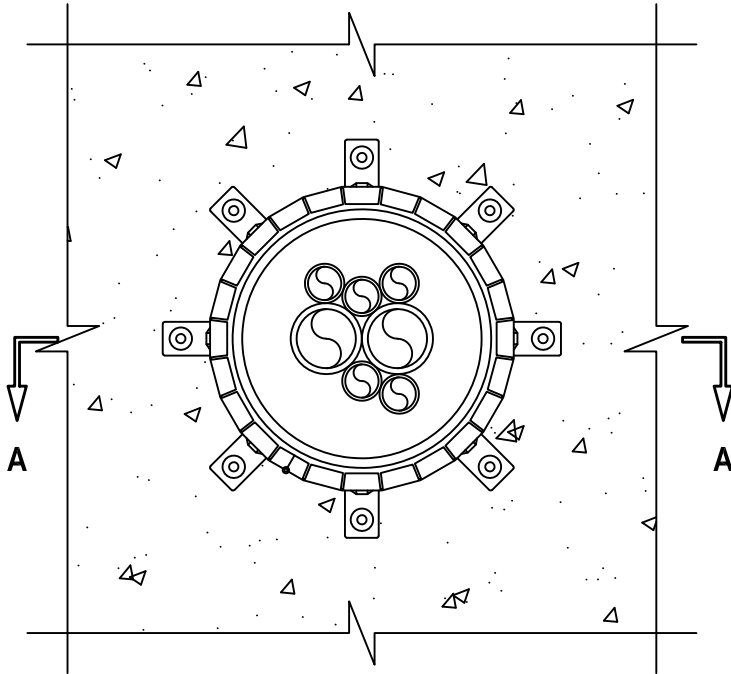
UL SYSTEM NO. C-AJ-2284

# DOUBLE CONTAINED PLASTIC PIPES THROUGH CONCRETE FLOOR/WALL OR BLOCK WALL ASSEMBLY

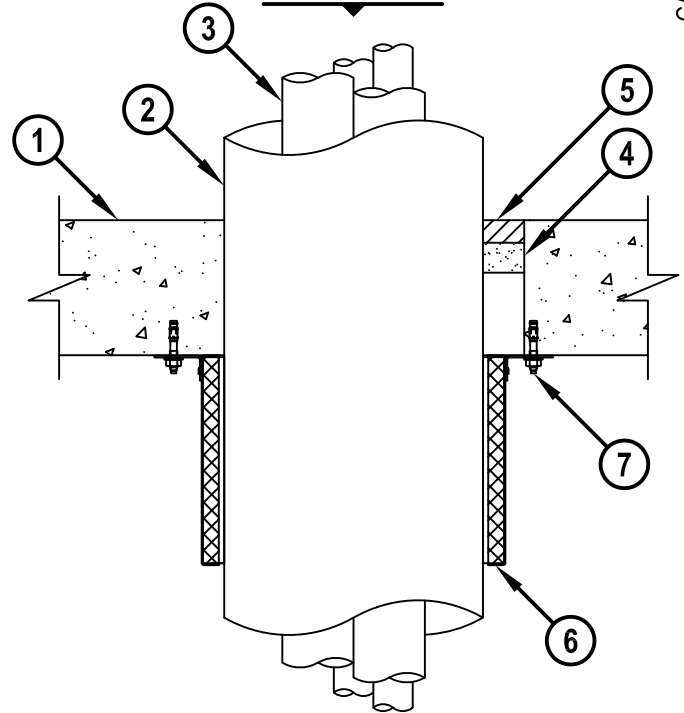
F-RATING = 2-HR.  
T-RATING = 2-HR.

CAJ2284g.091718

**BOTTOM VIEW**



**SECTION A-A**



1. CONCRETE FLOOR ASSEMBLY (2-HR. FIRE-RATING) :
  - A. LIGHTWEIGHT OR NORMAL WEIGHT CONCRETE FLOOR OR WALL (MINIMUM 4-1/2" THICK).
  - B. ANY UL CLASSIFIED CONCRETE BLOCK WALL.
2. NOMINAL 10" DIAMETER (SCHEDULE 40) (SOLID CORE) PVC PLASTIC PIPE.
3. ONE OR MORE OF THE FOLLOWING NON-METALLIC PIPES TO BE BUNDLED AND INSTALLED CONCENTRICALLY WITHIN THE NOMINAL 10" PVC PLASTIC PIPE (SEE NOTE NO. 3 BELOW) :
  - A. NOMINAL 2" PVDF PLASTIC PIPE (SDR 11).
  - B. NOMINAL 1" PVDF PLASTIC PIPE (SDR 11).
4. MINIMUM 1" DEPTH HILTI CF-AS CJP OR CF 812 FILLER FOAM.
5. MINIMUM 3/4" DEPTH HILTI FS-ONE MAX INTUMESCENT FIRESTOP SEALANT.
6. HILTI CP 644 250/10" FIRESTOP COLLAR WITH FASTENING HOOKS.
7. EACH FASTENING HOOK SECURED TO BOTTOM OF FLOOR WITH 1/4" x 1-3/4" LONG STEEL EXPANSION BOLTS IN CONJUNCTION WITH 3/4" DIAMETER STEEL WASHERS (EX. HILTI KWIK-BOLT 3).

**NOTES :** 1. MAXIMUM DIAMETER OF OPENING = 12".  
2. ANNULAR SPACE = MINIMUM 0", MAXIMUM 1-3/8".  
3. CLOSED PIPING SYSTEM.  
4. HILTI CF-AS CJP OR CF 812 FILLER FOAM, FS-ONE MAX INTUMESCENT FIRESTOP SEALANT AND CP 644 FIRESTOP COLLARS ARE REQUIRED ON BOTH SIDES OF A WALL ASSEMBLY.



HILTI, Inc.  
Plano, Texas USA (800) 879-8000

Sheet	1 of 1
Scale	5/32" = 1"
Date	Sep. 17, 2018

Drawing No.  
**CAJ  
2284g**

*Saving Lives through Innovation and Education*