

PLASTIC PIPE THROUGH CONCRETE FLOOR/WALL OR BLOCK WALL ASSEMBLY

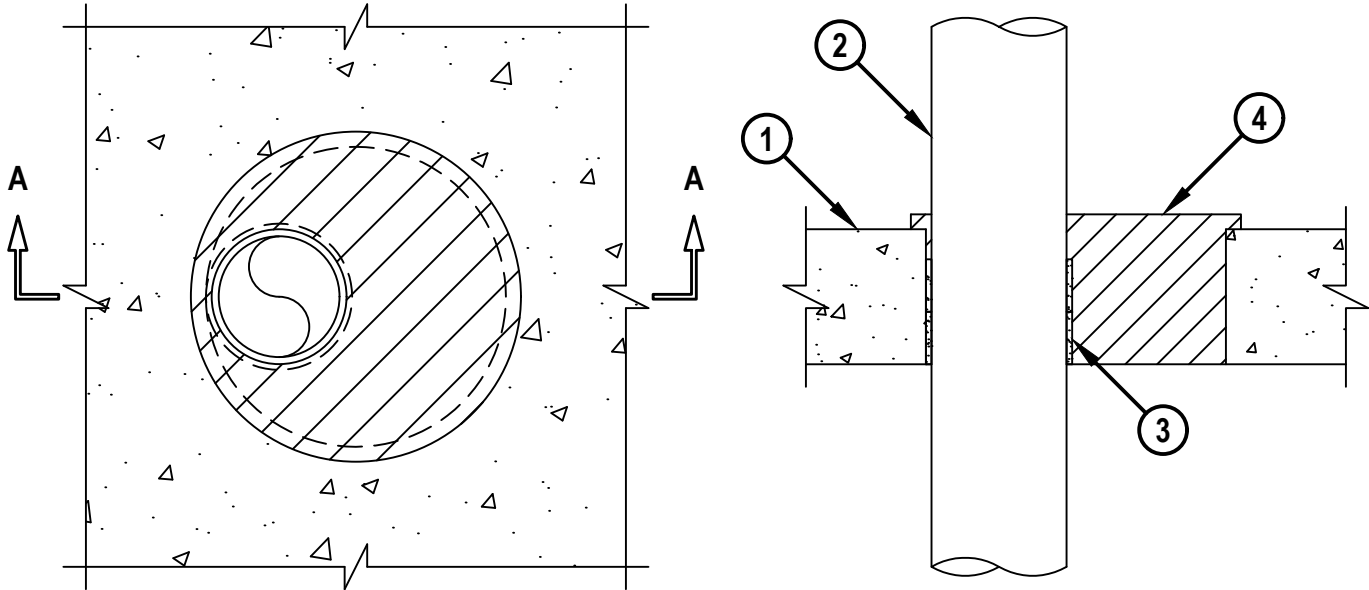
F-RATING = 2-HR.

T-RATING = 0-HR.

CAJ2392d.040622

TOP VIEW

SECTION A-A



1. CONCRETE FLOOR OR WALL ASSEMBLY (2-HR. FIRE-RATING) :
 - A. LIGHTWEIGHT OR NORMAL WEIGHT CONCRETE FLOOR OR WALL (MINIMUM 4-1/2" THICK).
 - B. ANY UL CLASSIFIED CONCRETE BLOCK WALL.
2. PENETRATING ITEM TO BE ONE OF THE FOLLOWING (ALSO SEE NOTE NO. 3 BELOW) :
 - A. MAXIMUM 4" NOMINAL DIAMETER PVC PLASTIC PIPE (CELLULAR OR SOLID CORE).
3. HILTI CP 648E WRAP STRIP (NOMINAL 3/16" WIDE x 1-3/4" WIDE) CONTINUOUSLY WRAPPED AROUND THE OUTER CIRCUMFERENCE OF THE PIPE, COVERING ONCE, DOUBLE STACKED WITH ENDS BUTTED AND HELD IN PLACE WITH TAPE. WRAP STRIP TO BE INSTALLED FLUSH WITH BOTTOM SURFACE OF FLOOR OR BOTH SURFACES OF WALL OR EXTENDING 1/2" BEYOND BOTH SURFACES OF WALL.
4. MINIMUM 5" DEPTH HILTI CP 620 FIRE FOAM FLUSH WITH BOTTOM SURFACE OF FLOOR AND EXTENDING MINIMUM 1/2" ABOVE TOP SURFACE OF FLOOR AND OVERLAPPING MINIMUM 1/2" ONTO CONCRETE FLOOR. IN WALLS, FILL MATERIAL INSTALLED EXTENDING 1/2" BEYOND BOTH SURFACES OF WALL AND OVERLAPPING THE CONCRETE 1/2" ON ALL SIDES OF THE OPENING.

NOTES : 1. MAXIMUM DIAMETER OF OPENING = 10".
 2. ANNULAR SPACE = MINIMUM 3/16", MAXIMUM 5-5/16".
 3. CLOSED OR VENTED PIPING SYSTEMS (PVC = SCHEDULE 40).



HILTI, Inc.
 Plano, Texas USA (800) 879-8000

Sheet	1 of 1
Scale	5/32" = 1"
Date	Apr. 06, 2022

Drawing No.
CAJ
2392d