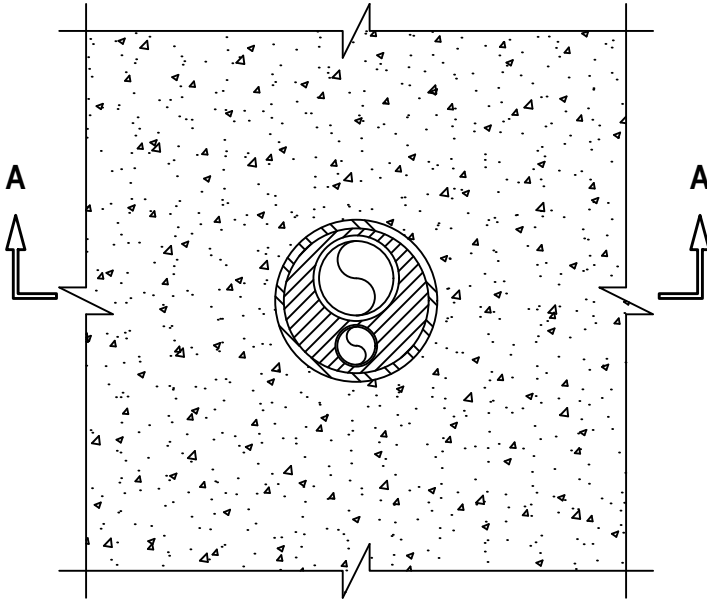


UL SYSTEM NO. C-AJ-2407
**MULTIPLE PLASTIC PIPE THROUGH OPTIONAL STEEL PIPE SLEEVE
 IN CONCRETE FLOOR/WALL OR BLOCK WALL**

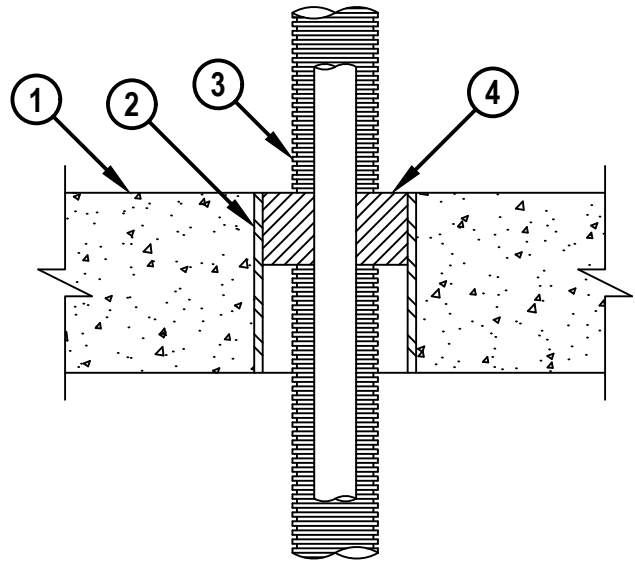
F-RATING = 2-HR.
 T-RATING = 0-HR.

CAJ2407c.122716

TOP VIEW



SECTION A-A



1. CONCRETE FLOOR OR WALL ASSEMBLY (2-HR. FIRE-RATING) :
 - A. LIGHTWEIGHT OR NORMAL WEIGHT CONCRETE FLOOR OR WALL (MINIMUM 4-1/2" THICK).
 - B. ANY UL CLASSIFIED CONCRETE BLOCK WALL.
2. [OPTIONAL] MAXIMUM 4" NOMINAL DIAMETER STEEL PIPE SLEEVE (SCHEDULE 10 OR HEAVIER).
3. ONE OR MORE OF THE FOLLOWING PIPES TO BE INSTALLED WITHIN THE OPENING (CLOSED PIPING SYSTEM ONLY).
 - A. MAXIMUM 2" NOMINAL DIAMETER PVC PLASTIC PIPE (SCHEDULE 40).
 - B. MAXIMUM 3" NOMINAL DIAMETER CPVC PLASTIC PIPE (SDR 13.5).
 - C. MAXIMUM 2" NOMINAL DIAMETER RIGID NON METALLIC CONDUIT (RNC) (SCHEDULE 40).
 - D. MAXIMUM 2" NOMINAL DIAMETER ELECTRICAL NON METALLIC CONDUIT (ENT).
 - E. MAXIMUM 1" NOMINAL DIAMETER OPTICAL-FIBER RACEWAY FORMED OF PVC.
 - F. MAXIMUM 1" NOMINAL DIAMETER CROSS-LINKED POLYETHYLENE (PEX) (SDR 9) TUBING.
4. MINIMUM 2" DEPTH HILTI FS-ONE MAX INTUMESCENT FIRESTOP SEALANT.

NOTES : 1. MAXIMUM DIAMETER OF OPENING = 4".
 2. ANNULAR SPACE BETWEEN PIPES AND PERIPHERY OF OPENING = MINIMUM 1/4", MAXIMUM 13/16".
 3. ANNULAR SPACE BETWEEN PIPES = NOMINAL 1/4".



HILTI, Inc.
 Plano, Texas USA (800) 879-8000

Sheet	1 of 1
Scale	3/16" = 1"
Date	Dec. 27, 2016

Drawing No.
**CAJ
 2407c**