

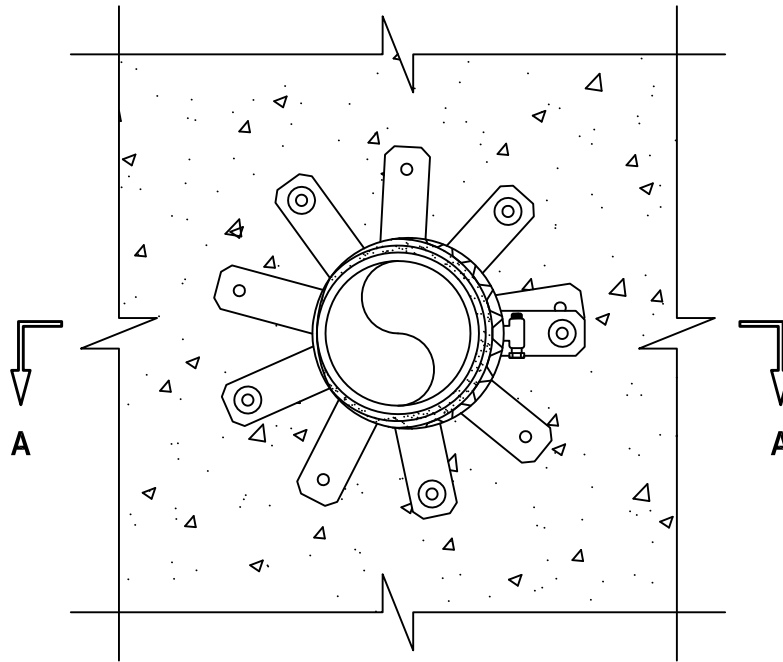
UL SYSTEM NO. C-AJ-2434

PLASTIC PIPE THROUGH CONCRETE FLOOR/WALL OR BLOCK WALL ASSEMBLY

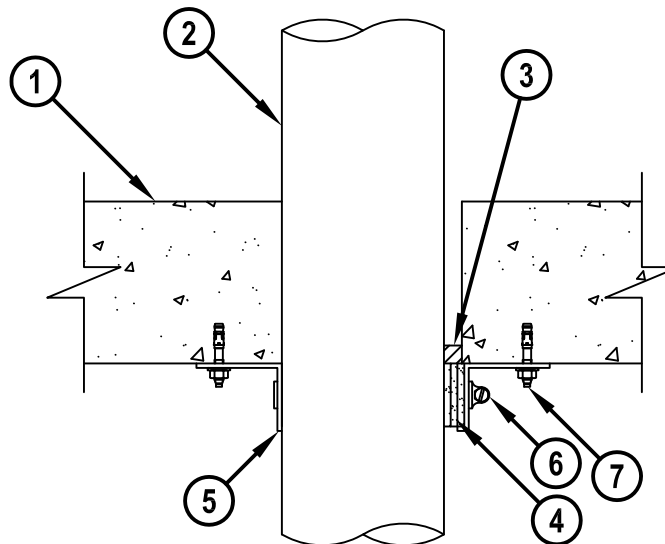
F-RATING = 2-HR. OR 3-HR.

T-RATING = 2-HR.

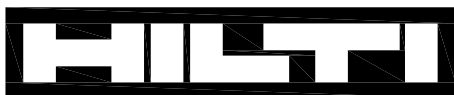
BOTTOM VIEW



SECTION A-A



CAJ2434d.011515



Hilti Firestop Systems

HILTI, Inc.
Tulsa, Oklahoma USA (800) 879-8000

Sheet	1 of 2
Scale	3/16" = 1"
Date	Jan. 15, 2015

Drawing No.

**CAJ
2434d**

Saving Lives through Innovation and Education

PLASTIC PIPE THROUGH CONCRETE FLOOR/WALL OR BLOCK WALL ASSEMBLY

F-RATING = 2-HR. OR 3-HR.

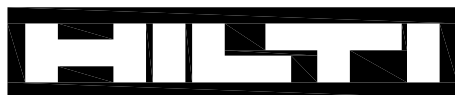
T-RATING = 2-HR.

CAJ2434d.011515

1. CONCRETE FLOOR OR WALL ASSEMBLY (2-HR. OR 3-HR. FIRE-RATING) :
 - A. LIGHTWEIGHT OR NORMAL WEIGHT CONCRETE FLOOR OR WALL (MINIMUM 4-1/2" THICK).
 - B. ANY UL CLASSIFIED CONCRETE BLOCK WALL ASSEMBLY.
2. PENETRATING ITEM TO BE ONE OF THE FOLLOWING :
 - A. MAXIMUM 4" NOMINAL DIAMETER PVC PLASTIC PIPE (CELLULAR OR SOLID CORE).
 - B. MAXIMUM 4" NOMINAL DIAMETER ABS PLASTIC PIPE (CELLULAR OR SOLID CORE).
 - C. MAXIMUM 4" NOMINAL DIAMETER CPVC PLASTIC PIPE (CLOSED PIPING SYSTEM ONLY).
3. MINIMUM 1/2" DEPTH HILTI FS-ONE MAX OR FS-ONE INTUMESCENT FIRESTOP SEALANT FLUSH WITH BOTTOM SURFACE OF CONCRETE FLOOR ASSEMBLY.
4. HILTI CP 648E WRAP STRIP (NOMINAL 3/16" THICK x 1-3/4" WIDE) INDIVIDUALLY WRAPPED AROUND THE PIPE, AS SPECIFIED IN TABLE BELOW, TO THE FULLEST EXTENT POSSIBLE WHILE ALLOWING THE PENETRANT TO REMAIN AT POINT OF CONTACT WITHIN THE OPENING, AND IN THE COLLAR. WRAP STRIP TO BE BUTTED TIGHTLY AGAINST BOTTOM SURFACE OF CONCRETE FLOOR.
5. HILTI RETAINING COLLAR WRAPPED OVER WRAP STRIPS, OVERLAPPING MINIMUM 1".
6. HILTI COLLAR CLAMP(S) FASTENED AT MID-HEIGHT OF RETAINING COLLAR.
7. EVERY OTHER TAB OF RETAINING COLLAR SECURED TO BOTTOM OF FLOOR WITH 1/4" x 1-3/4" LONG STEEL EXPANSION BOLTS IN CONJUNCTION WITH 1-1/4" DIAMETER STEEL WASHERS (EX. HILTI KWIK-BOLT 3).

NOMINAL PIPE DIAMETER	NO. OF LAYERS OF CP 648E WRAP STRIPS	F-RATING
2"	2	2-HR.
2"	3	3-HR.
4"	3	3-HR.

NOTES : 1. MAXIMUM DIAMETER OF OPENING = 5".
 2. ANNULAR SPACE = MINIMUM 0", MAXIMUM 1/2".
 3. CLOSED OR VENTED PIPING SYSTEM (PVC & ABS = SCHEDULE 40; CPVC = SDR 13.5).



Hilti Firestop Systems

HILTI, Inc.
 Tulsa, Oklahoma USA (800) 879-8000

Sheet 2 of 2

Scale -

Date Jan. 15, 2015

Drawing No.

**CAJ
 2434d**