

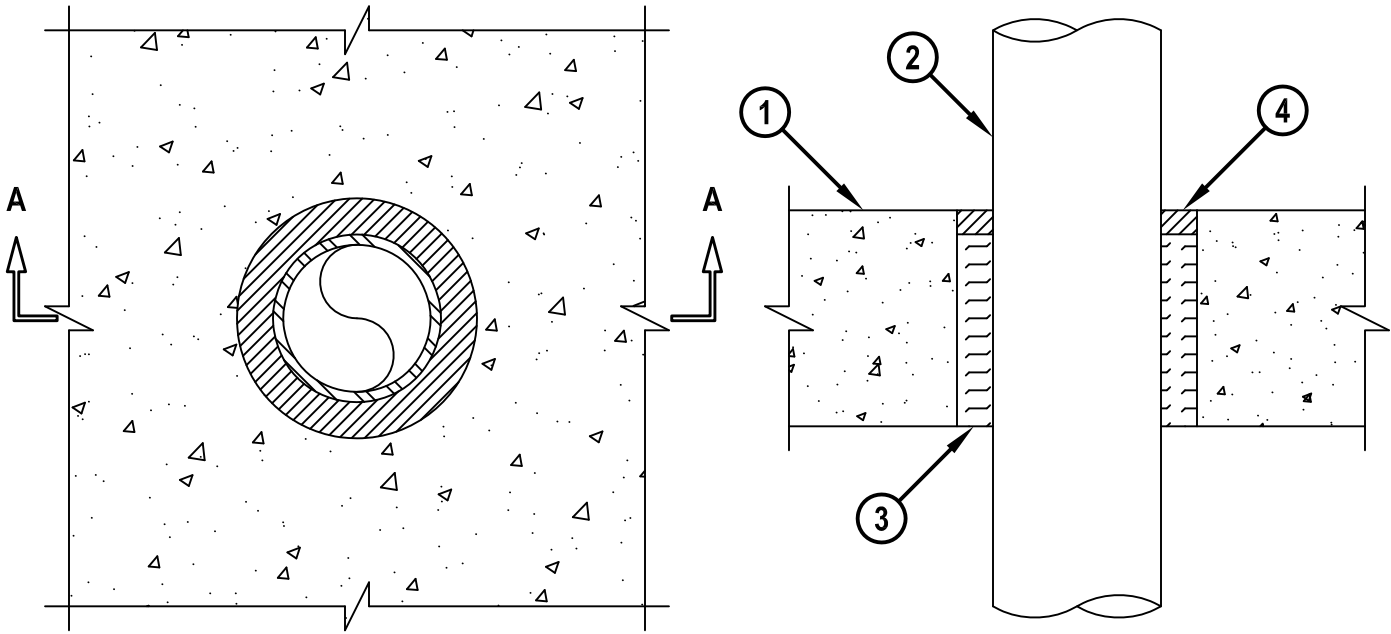
**FLOWGUARD GOLD® OR BLAZEMASTER® PIPE THROUGH CONCRETE
FLOOR/WALL OR BLOCK WALL ASSEMBLY**

F-RATING = 3-HR.
T-RATING = 3-HR.

CAJ2451d.111915

TOP VIEW

SECTION A-A



1. CONCRETE FLOOR OR WALL ASSEMBLY (3-HR. FIRE-RATING) :
 - A. LIGHTWEIGHT OR NORMAL WEIGHT CONCRETE FLOOR (MINIMUM 4-1/2" THICK).
 - B. LIGHTWEIGHT OR NORMAL WEIGHT CONCRETE WALL (MINIMUM 5" THICK).
 - C. ANY UL CLASSIFIED CONCRETE BLOCK WALL.
2. PENETRATING ITEM TO BE ONE OF THE FOLLOWING (CLOSED PIPING SYSTEM) :
 - A. MAXIMUM 2" NOMINAL DIAMETER FLOWGUARD GOLD® CPVC PIPE (SDR 11).
 - B. MAXIMUM 3" NOMINAL DIAMETER BLAZEMASTER® CPVC PIPE (SDR 13.5).
3. MINIMUM 4" THICKNESS MINERAL WOOL (MIN. 4 PCF DENSITY) TIGHTLY PACKED.
4. MINIMUM 1/2" DEPTH HILTI FS-ONE MAX OR FS-ONE INTUMESCENT FIRESTOP SEALANT.

NOTES : 1. MAXIMUM DIAMETER OF OPENING = 5".
 2. ANNULAR SPACE = MINIMUM 1/4", MAXIMUM 1-1/4".
 3. MINIMUM 1/2" DEPTH HILTI FS-ONE MAX OR FS-ONE INTUMESCENT FIRESTOP SEALANT IS REQUIRED ON BOTH SIDES OF A WALL.

FBC™ System Compatible indicates that this product has been tested, and is monitored on an ongoing basis, to assure its chemical compatibility with FlowGuard Gold®, BlazeMaster® and Corzan® pipe and fittings. FBC™, FlowGuard Gold®, BlazeMaster®, and Corzan® are licensed trademarks of the Lubrizol Corporation.



HILTI, Inc.
Plano, Texas USA (800) 879-8000

Sheet	1 of 1
Scale	1/4" = 1"
Date	Nov. 19, 2015

Drawing No.
**CAJ
2451d**